

Containment - Livestock - Waste Collection - Storage - Handling - Custom-made

STORAGE AND HANDLING



A unique range
on the market with
an environmental
impact reduced
by 10!





EMP ROTOMOLDING EXPERIENCE & INNOVATION

For over 30 years, EMP has established itself as a leading player in the design and manufacture of rotomolded parts. Its expertise is based on complete mastery of the process, from the initial idea to the finished product.

- **Custom design:** Thanks to its in-house design office, EMP supports each project from its inception and validates its technical feasibility. 3D printing allows customers to visualize their future parts in concrete terms.
- **In-house mold manufacturing:** designed, modeled, and produced in our own metalworking shops, the molds are crafted with precision, speed, and complete confidentiality.
- **100% French production:** All manufacturing takes place at the Dol-de-Bretagne site, ensuring rigorous quality control and full traceability.
- **InteGridd assembly and installation:** EMP also offers a comprehensive assembly service, enabling us to deliver finished products that are immediately operational, without the need for subcontracting.

EMP offers a wide range of solutions tailored to numerous sectors: containment, livestock, environment (waste collection), storage, material handling, equipment, as well as the development of custom products.

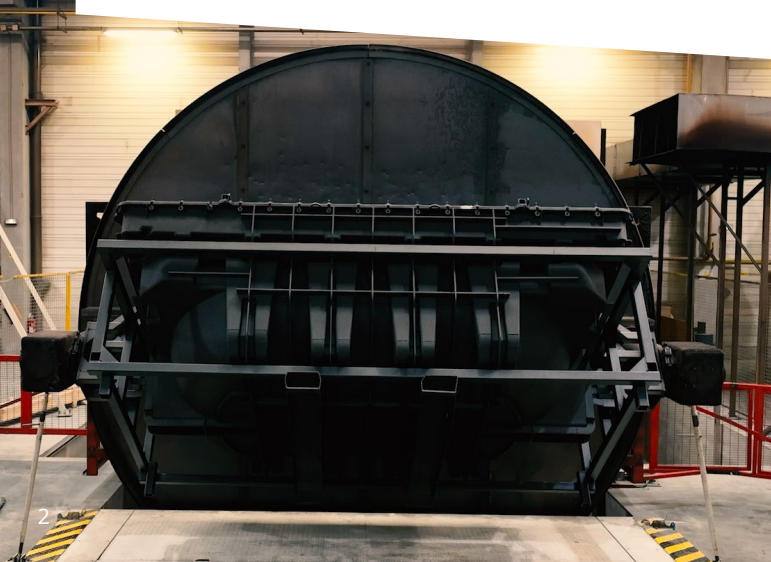


*EMP, a
rotomolding company
looking to the future*



ROTOMOLDING, THE ESSENCE OF EMP

Rotomolding is a plastic processing method that allows for the production of hollow parts of all sizes and various shapes, whether simple or complex. At EMP, this expertise translates into great design freedom: handles, inserts, nameplates, and even logos can be inteGridd directly, without welding or assembly. This process also offers a wide range of finishes stone-like, smooth, or textured as well as a vast array of colors. The materials used are specially formulated to resist UV rays, corrosion, impact, and chemicals. Food-safe, they retain their mechanical properties between -30°C and +60°C. Recyclable, they combine durability with environmental responsibility. Finally, EMP stands out for its ability to manufacture monobloc hollow bodies ranging from 1 to 20,000 liters.



INTERNATIONAL LOGISTICS

Today, EMP is present on all continents.

Thanks to a network of partners, EMP is able to distribute its products worldwide.

Our logistics expertise ensures a personalized service and meets the various constraints of export requirements.



*Metalworking workshop :
the tradition of unique expertise*



TEAMS

- Skilled and experienced staff
- Mastery of multiple trades
- Responsiveness and flexibility
- A proactive design office
- A "Product Design" service

EQUIPMENT

- A metalworking workshop for the manufacturing and maintenance of tooling
- A micronization unit
- A rapid mixing unit
- An assembly workshop with overhead cranes and jib cranes
- A 3D printing unit
- A logistics warehouse of over 6,000 m²

MACHINERY PARK

- 8 carousel-type ovens with 3 arms, diameters:
 - ø 2 600 mm (x4)
 - ø 3 000 mm (x2)
 - ø 3 600 mm
 - ø 4 000 mm
- 1 carousel-type oven with 2 arms, diameter:
 - ø 5 000 mm

MADE IN FRANCE

MADE IN FRANCE

The entire “Made in France” production chain is managed in-house, from design in the engineering office to the final parts leaving the workshop. The EMP production facility, located on a site spanning over 2 hectares with a 13,000 m² building near Saint-Malo, is **one of the most modern and innovative factories in France**.

Choosing EMP means reducing the carbon footprint of transportation, supporting employment in France, boosting the local industrial base, and promoting domestic production.



WARRANTY

EMP Rotomoulage warrants its products for 5 years against any manufacturing defects.

Products must be used for their intended purpose and in accordance with standard practices, following EMP's recommendations, to be eligible for the manufacturer's warranty.

In particular, the following recommendations must be strictly followed:

- The weight of containers placed on any product in the retention range equipped with a Grid must be evenly distributed across its surface.
- The retention range is intended for indoor use.
- Since the containers can support heavy loads, they must be placed on surfaces that are completely solid and level.
- When products from the Retention range are moved or handled, they must be completely empty of any containers.



Find the complete list of PE compatibility on our website or scan the QR code below.



EXPRESS SERVICE

Find in this catalog a selection of products shipped from our warehouses within 2 days*, identified by the icon below.

* For orders placed before 2:00 PM, consisting solely of "Next-Day" products, and for orders of fewer than 5 units per SKU.



COLOR SELECTION

To better integrate our products into your environment or application, as well as with the equipment you have already purchased, EMP offers to manufacture them in a specific, fully customized color. Upon request.

Find the relevant products in this catalog using the icon below:



WARRANTY

Confident in the quality of our products, a 5-year warranty against any manufacturing defects protects your purchases.

For more information, please refer to our General Terms and Conditions of Sale, Section 7 at the end of this catalog.

5-year warranty
against manufacturing defects



EMP SASU
35120 DOL DE
BRETAGNE
Z-40.22-612

To meet regulatory requirements in certain countries, EMP has obtained DIBT certification for some of its products.

These tests verify the load-bearing capacity with a safety factor of 4, thickness uniformity, load retention over time (45 days), and the quality of the HDPE used.

NEW
2026

The "New" icon highlights products that have been added to the EMP catalog this year.



Carbone
Light

Aware that every company seeks to reduce its EMP has created a new line of spill containment pans to address this concern.

The CARBONE LIGHT range features:

- A carbon footprint reduced by a factor of 10
- 100% French manufacturing
- 100% recyclable products
- 100% recycled materials

TABLE OF CONTENTS

CARBONE LIGHT Range



Pages 7 to 10

DIBt Range



Pages 11 to 19

Spill Pallets for Drums and IBCs



Pages 20 to 39

Mini Spill Pallets and Containment Trays



Pages 40 to 52

Containment Platforms



Pages 53 to 60

Racking Spill Pallets



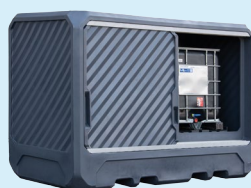
Pages 61 to 65

Supports and Accessories



Pages 66 to 72

Containment Containers and Cabinets



Pages 73 to 77

Storage and Handling



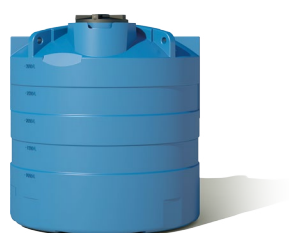
Pages 78 to 84

Salt enlever/or Sand Bins



Pages 85 to 91

Tanks and Containers



Pages 92 to 112

Equipment



Pages 113 to 114



CARBONE LIGHT

Ecological Excellence for Professionals

Discover the CARBONE LIGHT range, an innovative and responsible solution for your spill containment needs. Made entirely from recycled materials (100%), our products combine performance with environmental responsibility, while offering impeccable quality.

A Carbon Footprint Reduced by a Factor of 10

With the CARBONE LIGHT range, significantly reduce your environmental impact. Our spill containment pans emit 10 times less CO₂ than those made from virgin materials. By choosing these products, you actively contribute to the fight against climate change, while benefiting from a sustainable and effective solution.

100% Recyclable Products

Our CARBONE LIGHT spill containment sumps are fully recyclable, even though they are already made from recycled materials. At the end of their life cycle, they can be transformed into new products, thereby contributing to a circular and sustainable economy. With CARBONE LIGHT, you're choosing an eco-friendly and responsible solution without compromising on quality.

100% Recycled Materials

The CARBONE LIGHT range is made from 100% recycled materials. This approach not only reduces the extraction of natural resources but also significantly lowers CO₂ emissions. By using recycled materials, we help preserve the environment while offering high-performance, durable products.

Why Choose the CARBONE LIGHT Range?

- Reduced carbon footprint: 10 times lower than that of virgin materials.
- Local manufacturing: 100% made in France for optimal quality and reduced transport-related emissions.
- Recyclability: Our products are 100% recyclable, contributing to a circular economy.
- Recycled materials: 100% recycled for an eco-friendly and sustainable solution.



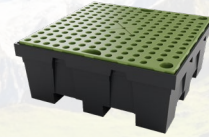
CARBONE LIGHT RANGE
5 models for your most common needs



120 liters



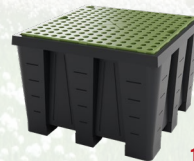
240 liters



450 liters



1,050 liters



1,200 liters

SPILL PALLET FOR 1 DRUM - 120 liters (US), litres (UK)

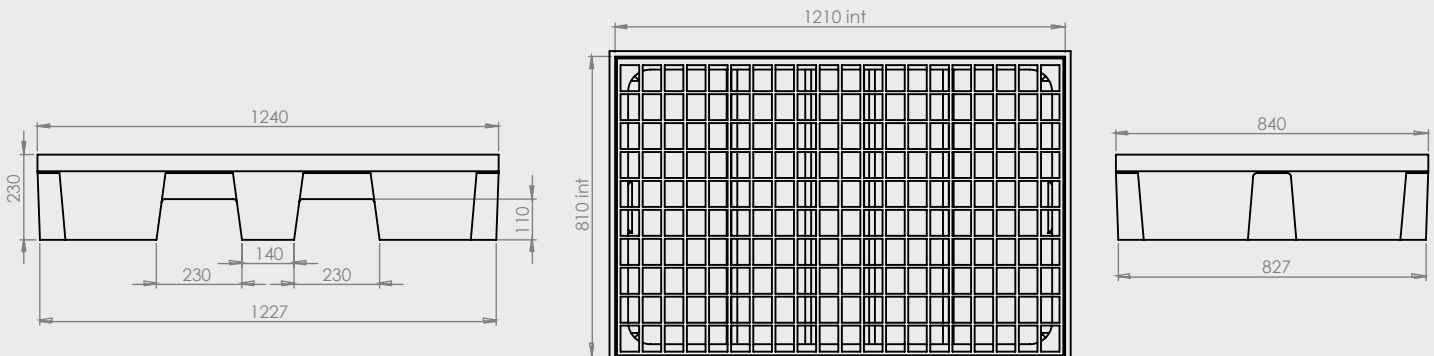
Ref: **BRLP120CLMP31**

Low height, easy access.
Mini bin made from 100% recycled HDPE with a Grid.
Removable Grid made of recycled HDPE.
Forklift access on 2 sides.

Technical information:

- Sump capacity: **120 L**
- Load capacity: **500 kg**
- Dimensions (L x W x H): **1240 x 840 x 230 mm**
- Grid dimensions (L x W): **1200 x 800 mm**
- Finish: **Exterior Black (MP0031) / Interior Fern Green (MP00103 - Similar to RAL 6025)**
- Number of units per stack: **9**

NEW
2026



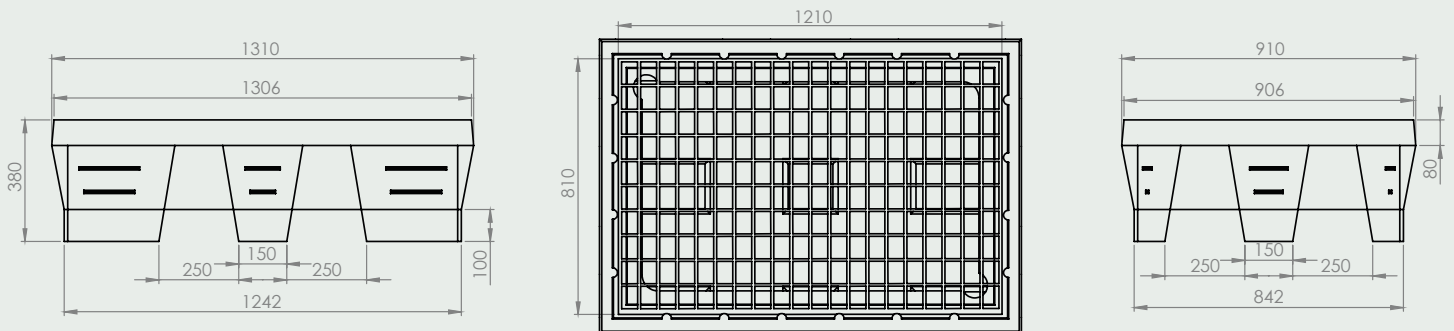
SPILL PALLET FOR 2 DRUMS - 240 liters

Ref : **BRLP240CLMP31**

Retention tank made from 100% recycled HDPE with Grid.
Removable Grid made of recycled HDPE.
It is also possible to place a 1200x800 mm Euro pallet
Fork pockets on 4 sides.

Technical information:

Sump capacity: **240 L**
Load capacity: **500 kg**
Dimensions (L x W x H): **1310 x 910 x 380 mm**
Grid dimensions (L x W): **1200 x 800 mm**
Finish: **Exterior Black (MP0031) / Interior Fern Green (MP00103 - Similar to RAL 6025)**
Number of units per stack: **6**



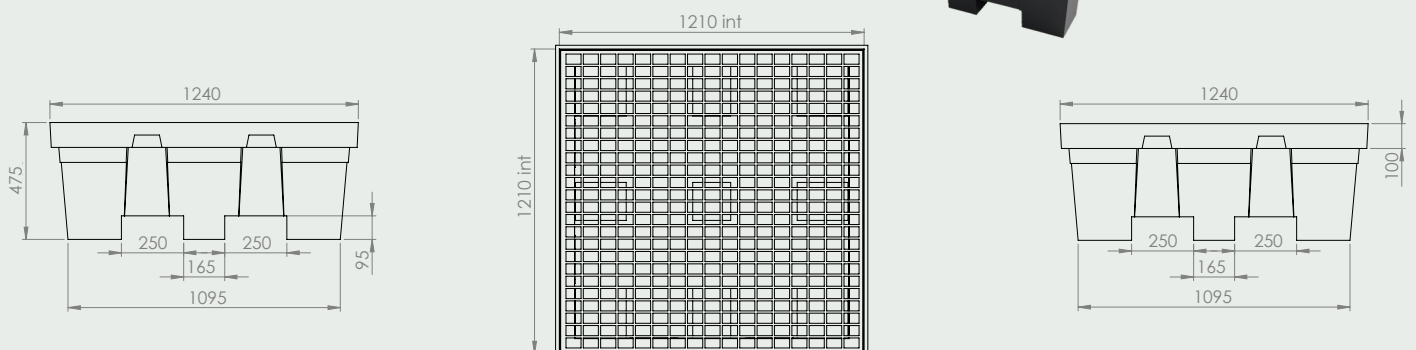
SPILL PALLET FOR 4 DRUMS - 450 liters

Ref: **BRCP450CLMP31**

Retention tank made from 100% recycled HDPE with Grid.
Removable Grid made of recycled HDPE.
Fork pockets on 4 sides.

Technical information:

Sump capacity: **450 L**
Load capacity: **1100 kg**
Dimensions (L x W x H): **1240 x 1240 x 475 mm**
Grid dimensions (L x W): **1200 x 1200 mm**
Finish: **Exterior Black (MP0031) / Interior Fern Green (MP00103 - Similar to RAL 6025)**
Number of units per stack: **5**



SPILL PALLET FOR 1 IBC - 1200 liters

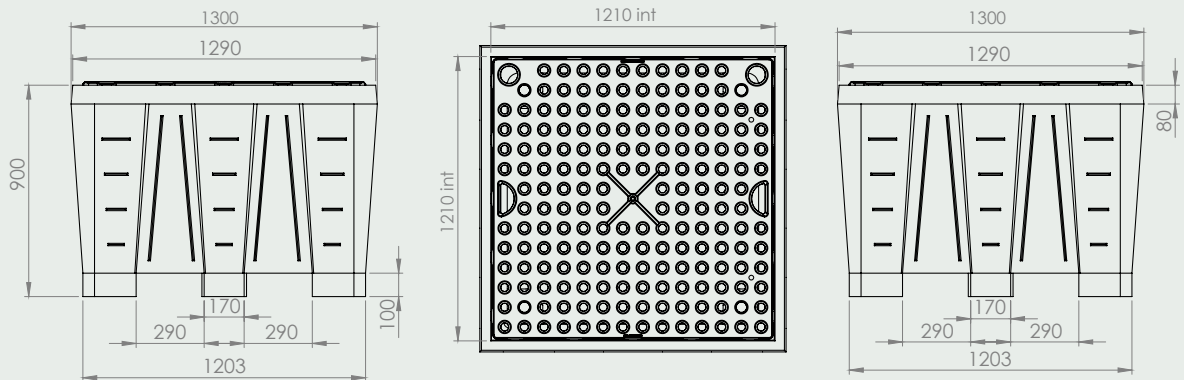
Ref: **MRP1200CLMP31**

Compact dimensions.
Retention tank made from 100% recycled HDPE with Grid.
Removable HDPE Grid.
Fork pockets on 4 sides.

Technical information:

Sump capacity: **1200 L**
Load capacity: **1500 kg**
Dimensions (L x W x H): **1300 x 1300 x 900 mm**
Grid dimensions (L x W): **1200 x 1200 mm**
Finish: **Exterior Black (MP0031) / Interior Fern Green (MP00103 - Similar to RAL 6025)**
Number of units per stack: **2**

NEW
2026



SPILL PALLET FOR 2 IBC AND 8 DRUMS - 1050 liters

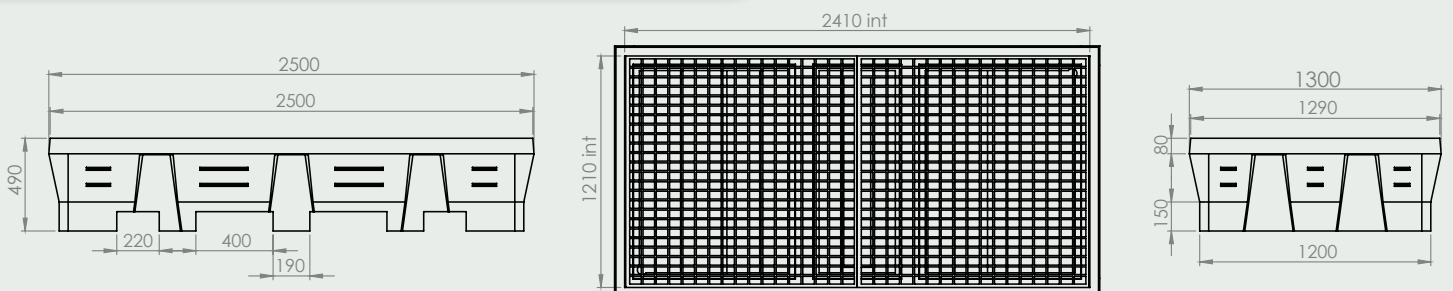
Ref: **MRP1050CLMP31**

Up to 4,600 kg load capacity (UR).
Retention tank made from 100% recycled HDPE with Grid.
Removable Grid made of recycled HDPE.
Forklift access on 2 sides.

Technical information:

Sump capacity: **1050 L**
Load capacity: **2900 kg**
Dimensions (L x W x H): **2500 x 1300 x 490 mm**
Grid dimensions (L x W): **2400 x 1200 mm**
Finish: **Exterior Black (MP0031) / Interior Fern Green (MP00103 - Similar to RAL 6025)**
Number of units per stack: **4**

NEW
2026





EMP SASU
35120 DOL DE
BRETAGNE
Z-40.22-612

DiBt RANGE



To meet regulatory requirements in certain countries, EMP has had a selection of its products certified by the DiBt. These tests verify the load capacity with a safety factor of 4, thickness uniformity, load-bearing performance over time (30 days), and the quality of the HDPE used.



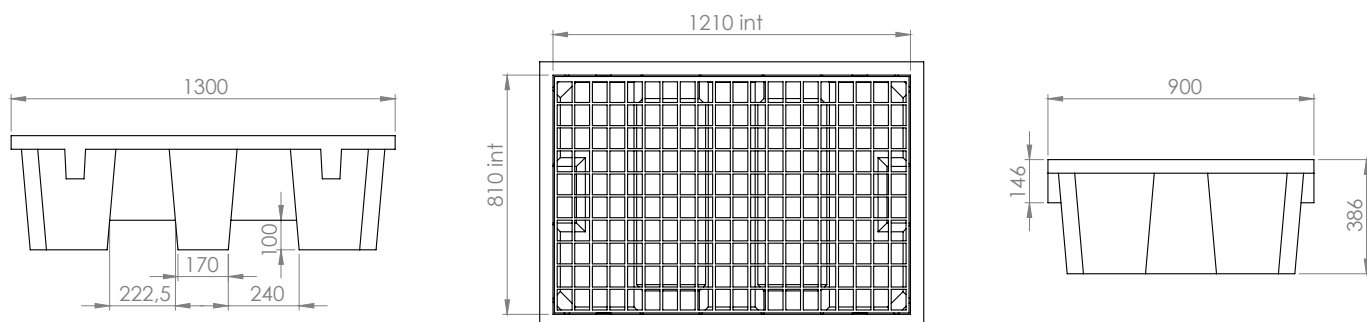
SPILL PALLET FOR 2 DRUMS - 240 LITERS

Ref : BRLECOP240/39002F

100% HDPE spill containment pallet with removable HDPE Grid.
Forklift entry on 2 sides.

Technical information:

Sump capacity: **240 L**
Load capacity: **650 kg**
Dimensions (L x W x H): **1300 x 900 x 390 mm**
Grid dimensions (L x W): **1200 x 800 mm**
Finish: **Gentian Blue (TEIN002 - Close to RAL 5010)**
Number of units per stack: **10**



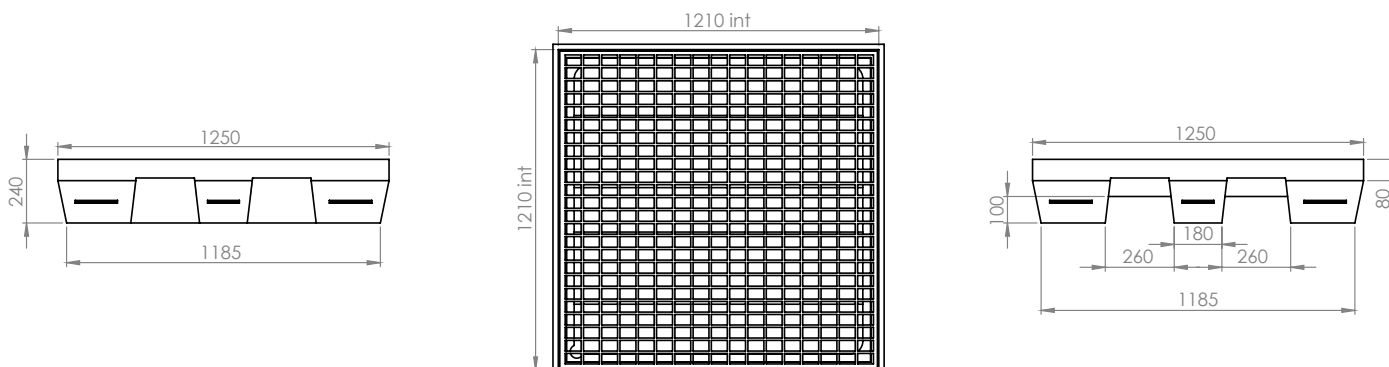
SPILL PALLET FOR 2 DRUMS - 220 LITERS

Ref : BRCP220002F

100% HDPE spill containment pallet with removable HDPE Grid.
Forklift entry on 2 sides.
Low-profile design for easy access with pallet TROLLEY or drum trolley.

Technical information:

Sump capacity: **220 L**
Load capacity: **1100 kg**
Dimensions (L x W x H): **1250 x 1250 x 240 mm**
Grid dimensions (L x W): **1200 x 1200 mm**
Finish: **Gentian Blue (TEIN002 - Close to RAL 5010)**
Number of units per stack: **9**



SPILL PALLET FOR 4 DRUMS - 450 LITERS

Ref : BRCECOP450/485002F

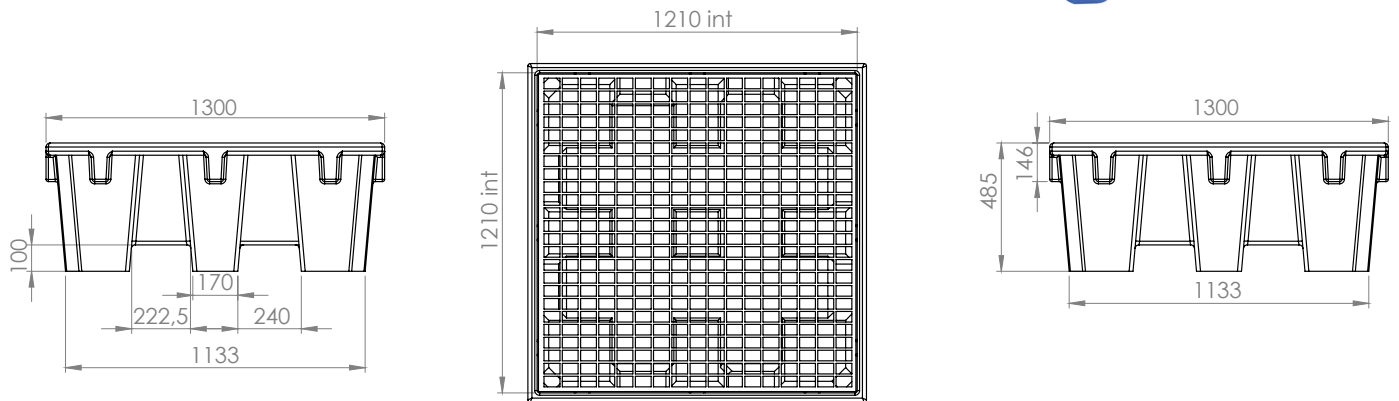
100% HDPE spill containment pallet with removable HDPE Grid.
Forklift entry on 4 sides.

Technical information:

Sump capacity: **450 L**
Load capacity: **1100 kg**
Dimensions (L x W x H): **1300 x 1300 x 485 mm**
Grid dimensions (L x W): **1200 x 1200 mm**
Finish: **Gentian Blue (TEIN002 - Close to RAL 5010)**
Number of units per stack: **10**



NEW
2026



SPILL PALLET FOR 1 IBC - 1100 LITERS

Ref : BRCECOP1100/100002F

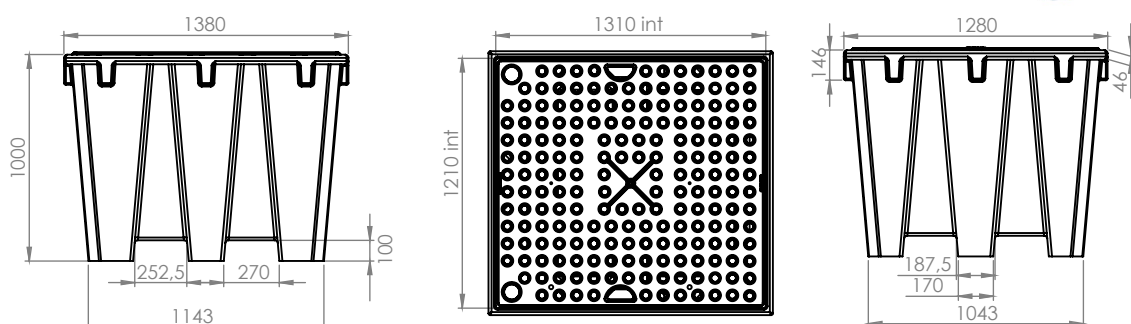
100% HDPE spill containment pallet with removable HDPE Grid.
Forklift entry on 4 sides.

Technical information:

Sump capacity: **1100 L**
Load capacity: **1500 kg**
Dimensions (L x W x H): **1380 x 1280 x 1000 mm**
Grid dimensions (L x W): **1200 x 1300 mm**
Finish: **Gentian Blue (TEIN002 - Close to RAL 5010)**
Number of units per stack: **7**



NEW
2026



SPILL CONTAINMENT PALLET FOR 2 IBCS - 1050 LITERS

Ref : MRPECO1050/B1002F

100% HDPE spill containment pallet with removable HDPE Grid.
Forklift entry on 2 sides.

Technical information:

Sump capacity: **1050 L**

Load capacity: **3900 kg**

Dimensions (L x W x H): **2500 x 1300 x 530 mm**

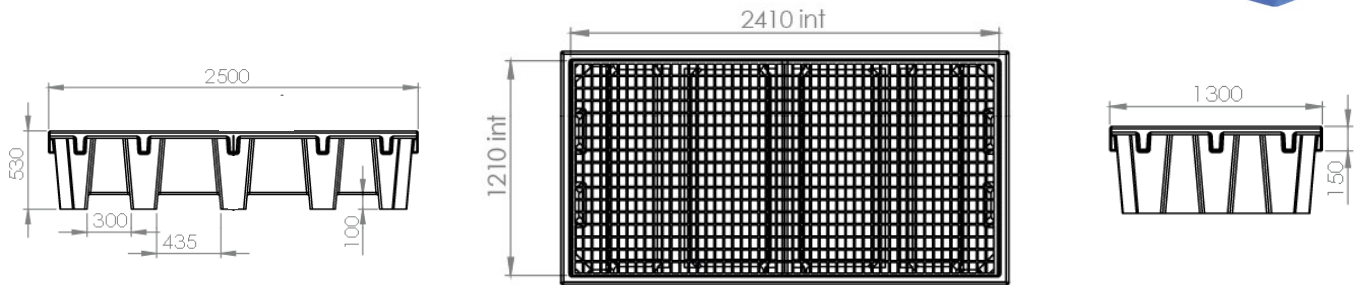
Grid dimensions (L x W): **2400 x 1200 mm**

Finish: **Gentian Blue (TEIN002 - Close to RAL 5010)**

Number of units per stack: **6**



NEW
2026



MINI SPILL CONTAINMENT PALLET - 200 LITERS

Ref : PF200002F

100% HDPE mini spill containment pallet without Grid.
Flat bottom design.

Technical information:

Sump capacity: **200 L**

Load capacity: **250 kg**

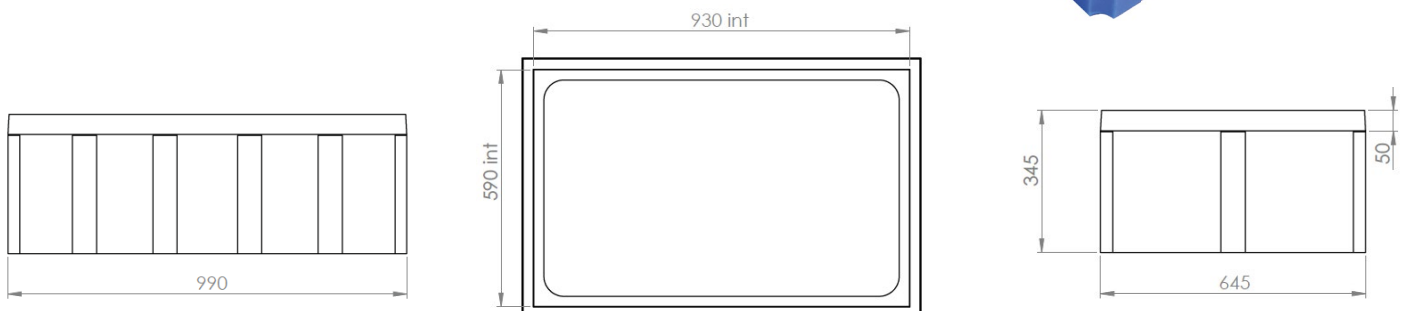
Dimensions (L x W x H): **990 x 645 x 345 mm**

Finish: **Gentian Blue (TEIN002 - Close to RAL 5010)**

Number of units per stack: **6**



NEW
2026



MINI SPILL CONTAINMENT PALLET - 100 LITERS

Ref : PF100002F

100% HDPE mini spill containment pallet without Grid.
Flat bottom design.

Technical information:

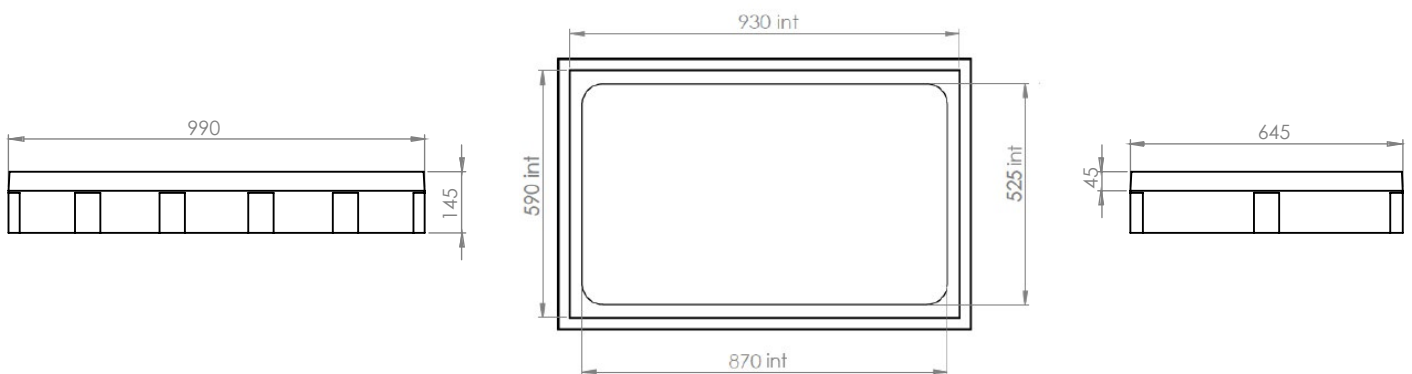
Sump capacity: **100 L**

Load capacity: **150 kg**

Dimensions (L x W x H): **990 x 645 x 145 mm**

Finish: **Gentian Blue (TEIN002 - Close to RAL 5010)**

Number of units per stack: **15**



PLATFORM - 120 LITERS

Ref : PFRP120/150002F

Platform with a height of 150 mm, compatible with most other models on the market.

100% HDPE, equipped with an HDPE Grid.

Optional ramp available to facilitate loading.

Grid sized to fit a standard 1200 x 800 mm pallet.

Can be connected to the 180 L model using a joining strip

Technical information:

Sump capacity: **120 L**

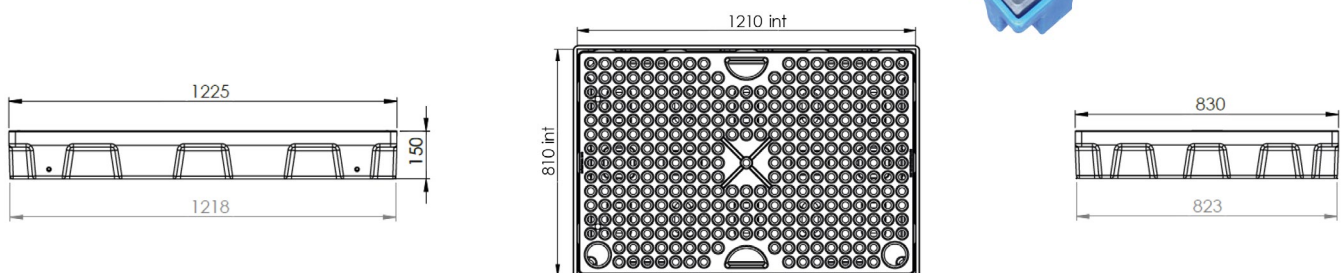
Load capacity: **500 kg**

Dimensions (L x W x H): **1225 x 830 x 150 mm**

Grid dimensions (L x W): **1200 x 800 mm**

Finish: **Gentian Blue (TEIN002 - Close to RAL 5010)**

Number of units per stack: **15**



PLATFORM - 180 LITERS

Ref : PFRP180/150002F

Platform with a height of 150 mm, compatible with most models on the market.

100% HDPE, equipped with an HDPE Grid.

Optional ramp available to facilitate access.

Can be connected to the 120 L model using a joining strip.

Technical information:

Sump capacity: **180 L**

Load capacity: **650 kg**

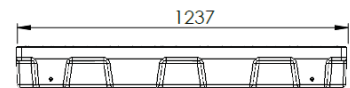
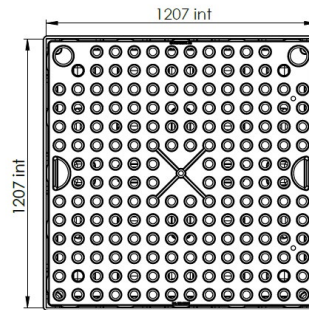
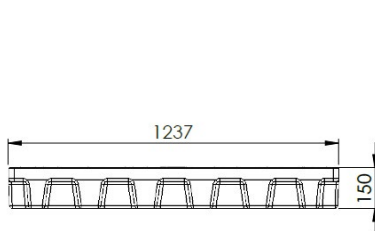
Dimensions (L x W x H): **1237 x 1237 x 150 mm**

Grid dimensions (L x W): **1200 x 1200 mm**

Finish: **Gentian Blue (TEIN002 - Close to RAL 5010)**

Number of units per stack: **14**

NEW
2026



MINI SPILL CONTAINMENT PALLET (WITH FEET) - 70 LITERS

Ref : BRL70002F

100% HDPE mini spill containment pallet without Grid.

Pallet with feet, suitable for handling with a pallet TROLLEY on 2 sides.

Flat bottom design.

Technical information:

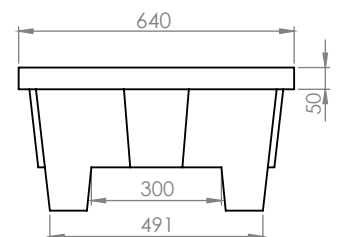
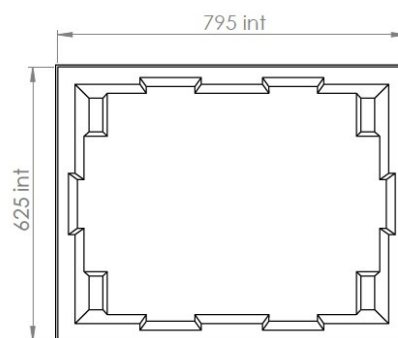
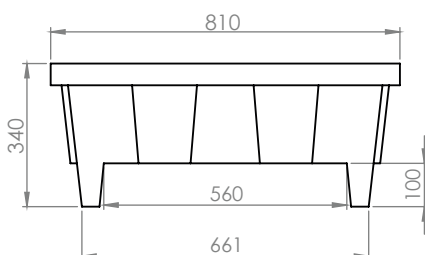
Sump capacity: **70 L**

Load capacity: **100 kg**

Dimensions (L x W x H): **810 x 640 x 340 mm**

Finish: **Gentian Blue (TEIN002 - Close to RAL 5010)**

NEW
2026



MINI SPILL CONTAINMENT PALLET - 70 LITERS

Ref : BRL70/230002F

100% HDPE mini spill containment pallet without Grid.
Flat bottom design.

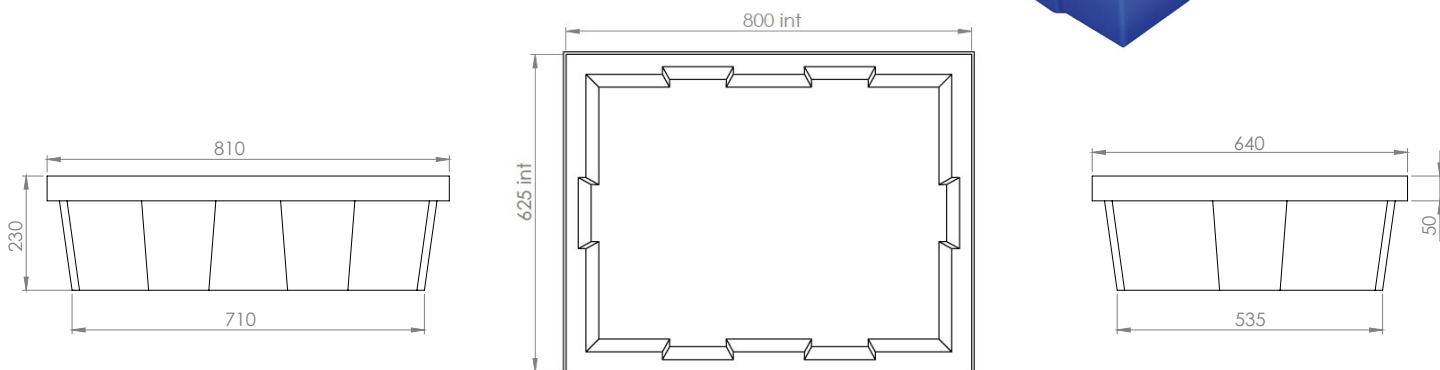
Technical information:

Sump capacity: **70 L**

Load capacity: **100 kg**

Dimensions (L x W x H): **810 x 640 x 230 mm**

Finish: **Gentian Blue (TEIN002 - Close to RAL 5010)**



LABORATORY SPILL TRAY - 20 LITERS

A - With Grid - Ref: LABR20CDIBT002

B - Without Grid - Ref: LABR20DIBT002

Tray available with or without Grid, 100% HDPE.
Removable Grid with anti-slip surface.
Handles molded into the shape of the tray.
High-quality finish for use in environments such as laboratories,
education, etc.
Optimized design for easy cleaning.

Technical information:

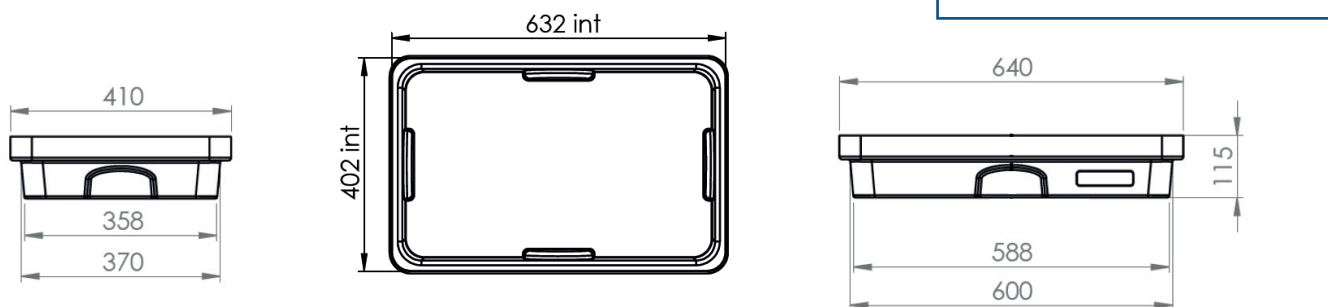
Sump capacity: **20 L**

Load capacity: **30 kg**

Dimensions (L x W x H): **640 x 410 x 115 mm**

Grid dimensions (L x W): **625 x 395 mm**

Finish: **Gentian Blue (TEIN002 - Close to RAL 5010)**





LABORATORY SPILL TRAY - 30 LITERS

A - With Grid - Ref : LABR30CDIBT002

B - Without Grid - Ref : LABR30DIBT002

Technical information:

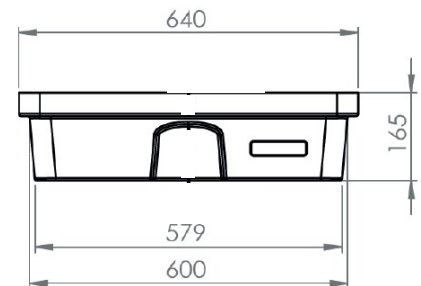
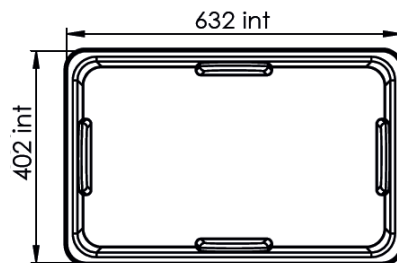
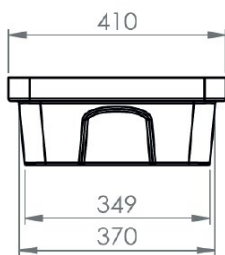
Sump capacity: **30 L**

Load capacity: **40 kg**

Dimensions (L x W x H): **640 x 410 x 165 mm**

Grid dimensions (L x W): **625 x 395 mm**

Finish: **Gentian Blue (TEIN002 - Close to RAL 5010)**



LABORATORY SPILL TRAY - 40 LITERS

A - With Grid - Ref : LABR40CDIBT002

B - Without Grid - Ref : LABR40DIBT002

Technical information:

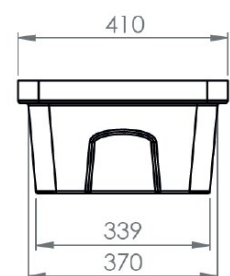
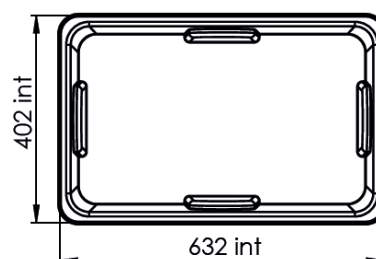
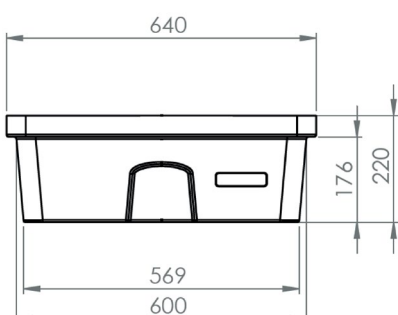
Sump capacity: **40 L**

Load capacity: **60 kg**

Dimensions (L x W x H): **640 x 410 x 220 mm**

Grid dimensions (L x W): **625 x 395 mm**

Finish: **Gentian Blue (TEIN002 - Close to RAL 5010)**



LABORATORY SPILL TRAY - 60 LITERS

A - With Grid - Ref : LABR60CDIBT002

B - Without Grid - Ref : LABR60DIBT002

Technical information:

Sump capacity: **60 L**

Load capacity: **100 kg**

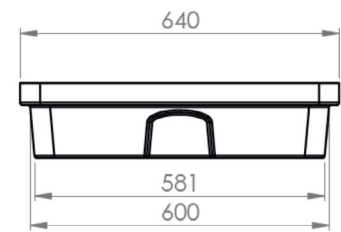
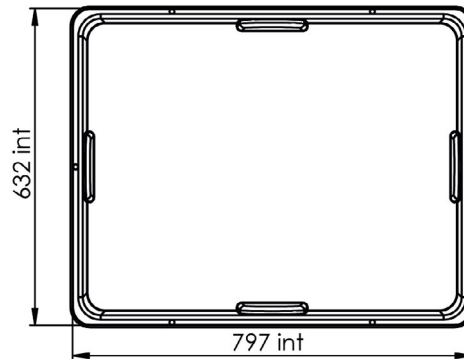
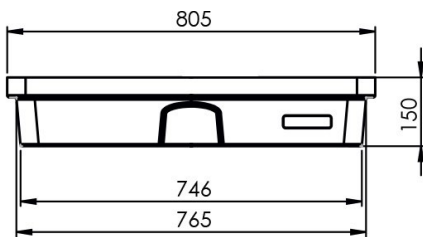
Dimensions (L x W x H): **805 x 640 x 150 mm**

Grid dimensions (L x W): **790 x 625 mm**

Finish: **Gentian Blue (TEIN002 - Close to RAL 5010)**



NEW
2026



LABORATORY SPILL TRAY

90 (with Grid) / 100 LITERS (without Grid)

A - With Grid - Ref : LABR90CDIBT002

B - Without Grid - Ref : LABR90DIBT002

Technical information:

Sump capacity: **90 L**

Load capacity: **150 kg**

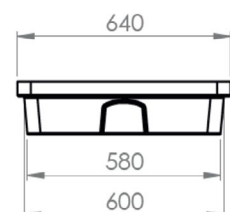
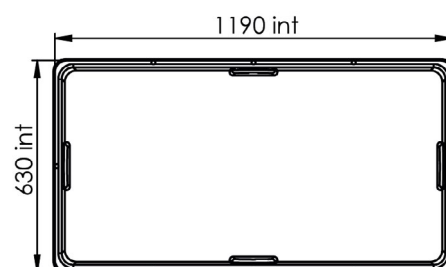
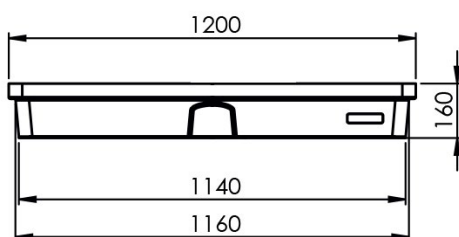
Dimensions (L x W x H): **1200 x 640 x 160 mm**

Grid dimensions (L x W): **625 x 395 mm**

Finish: **Gentian Blue (TEIN002 - Close to RAL 5010)**



NEW
2026



ESSENTIALS



**ECO-DESIGNED 2-DRUM SPILL
CONTAINMENT PALLET
BRLECOP240/390008F**

Grating sized to fit
a Euro pallet
1200 × 800 mm

Raised
edge
for enhanced
rigidity

100% recyclable
HDPE grating

Manufactured from
100% recyclable
material

A space-saving design
to reduce shipping costs

Fork entry for pallet
truck and forklift



See page 25!

SPILL PALLETS FOR DRUMS AND IBCs



**5-year warranty against
manufacturing defects**



PRODUCT BENEFITS

- Removable Grid for easy cleaning
- Resistant to most corrosive liquids
- Helps prevent any risk of pollution



Dimensional and volumetric tolerances
The stated dimensions may vary by $\pm 4\%$.
Color variations may occur.
RAL references are provided for guidance only and are
not contractual.

1 DRUM SPILL PALLET - 225 LITERS

Available in 2 versions:

A - Galvanized steel Grid - Ref: BRLG225006F

B - PP Grid - Ref: BRLP225006F



100% HDPE with removable Grid in PP.
Two-way forklift entry system.

Technical information:

Sump capacity: **225 L**

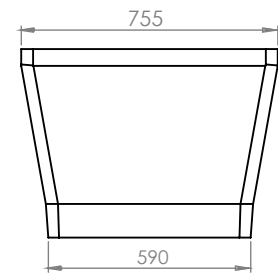
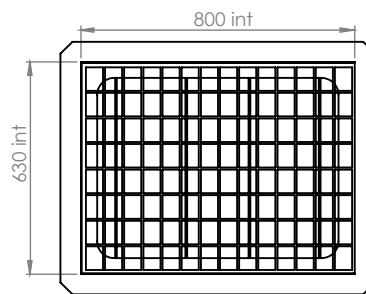
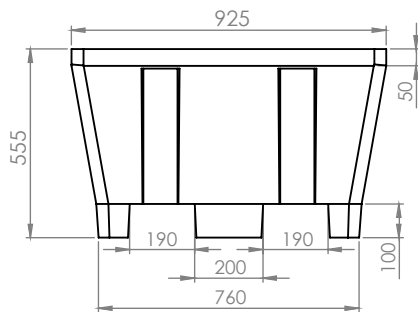
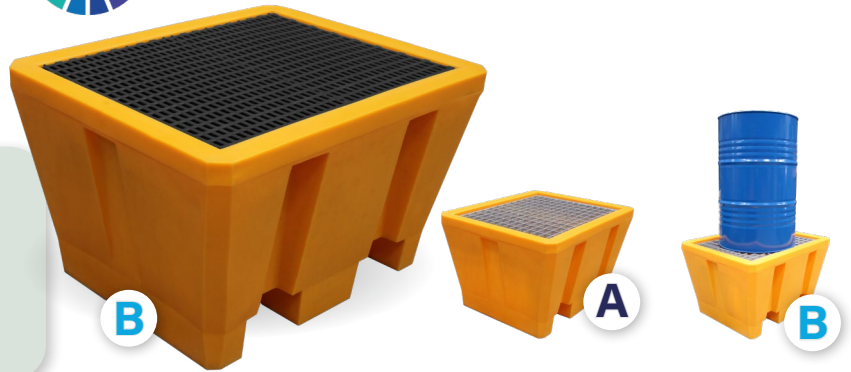
Load capacity: **300 kg**

Dimensions (L x w x h): **925 x 755 x 555 mm**

Grid dim. (L x w): **800 x 625 mm**

Finish: **Yellow (TEIN006 - RAL 1028)**

Number of units per stack: **4**



ECO-DESIGNED 1 DRUM SPILL PALLET - 225 LITERS **D2**

Available in 2 versions:

A - Galvanized steel Grid - Ref: BRLECOG225/555008F

B - PP (polypropylene) Grid - Ref: BRLECOG225/555008F

100% HDPE with removable Grid in galvanised steel.
Two-way forklift entry system.

Technical information:

Sump capacity: **225 L**

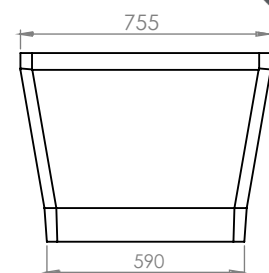
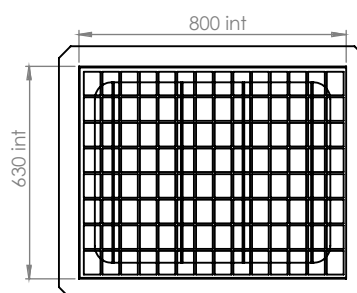
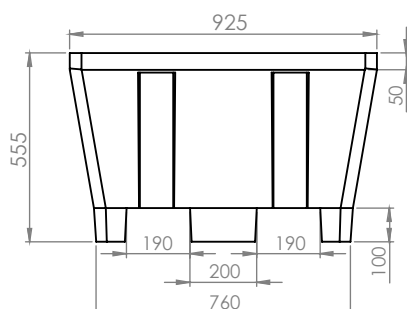
Load capacity: **300 kg**

Dimensions (L x w x h): **925 x 755 x 555 mm**

Grid dim. (L x w): **800 x 625 mm**

Finish: **Black (TEIN008 - RAL 9017)**

Number of units per stack: **4**



2 DRUM SPILL PALLET - 240 LITERS

Available in 3 versions:

A - Galvanized steel Grid - Ref: B2FFPPG008F

B - HDPE Grid - Ref: B2FFPPP008F

C - Without Grid - Ref: B2FFPPSC088F

100% HDPE with removable Grid in galvanised steel.
Flat bottom, easy to clean.

Technical information:

Sump capacity: **240 L**

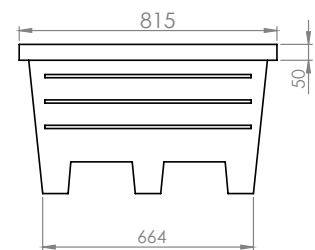
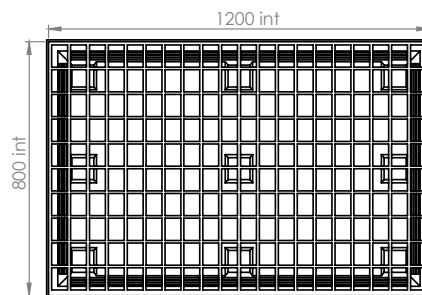
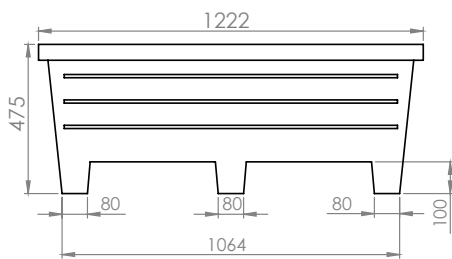
Load capacity: **500 kg**

Dimensions (L x w x h) : **1222 x 812 x 350 mm**

Grid dim. (L x l): **1200 x 800 mm**

Finish: **Black (TEIN008 - RAL 9017)**

Number of units per stack: **5**



ECO-DESIGNED 2 DRUM SPILL PALLET - 220 LITERS



Available in 2 versions:

A - Galvanized steel Grid - Ref: BRLECOG220/495008F

B - PP (polypropylene) Grid - Ref: BRLECOP220/495008F

Nestable to save transport volume and storage.
100% HDPE with removable Grid in galvanised steel.

Two-way forklift entry system.

Technical information:

Sump capacity: **220 L**

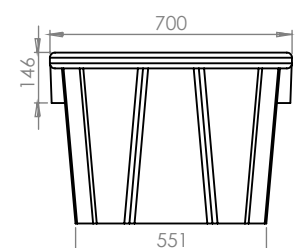
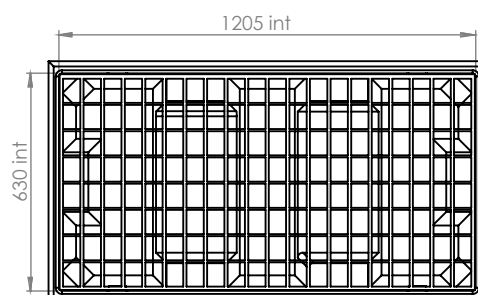
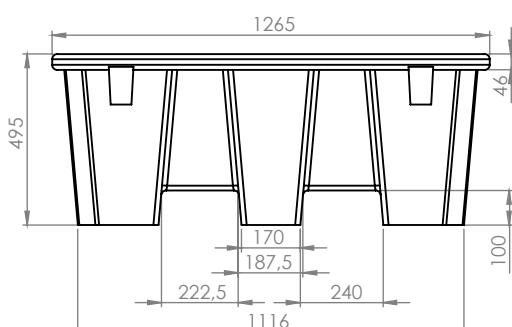
Load capacity: **500 kg**

Dimensions (L x w x h): **1265 x 700 x 495 mm**

Grid dim. (L x w): **1200 x 625 mm**

Finish: **Black (TEIN008 - RAL 9017)**

Number of units per stack: **10**



ECO-DESIGNED 2 DRUM SPILL PALLET - 240 LITERS **D2**

Available in 3 versions:

A - Galvanized steel Grid - Ref: BRLECOG240/390008F

B - HDPE Grid - Ref: BRLECOP240/390008F

C - Without Grid - Ref: BRLECO240/390008F

100% HDPE with removable Grid in galvanised steel.
Nestable to save transport volume and storage.

Technical information:

Sump capacity: **240 L**

Load capacity: **650 kg**

Dimensions (L x w x h): **1300 x 900 x 390 mm**

Grid dim. (L x w): **1200 x 800 mm**

Finish: **Black (TEIN008 - RAL 9017)**

Number of units per stack: **10**



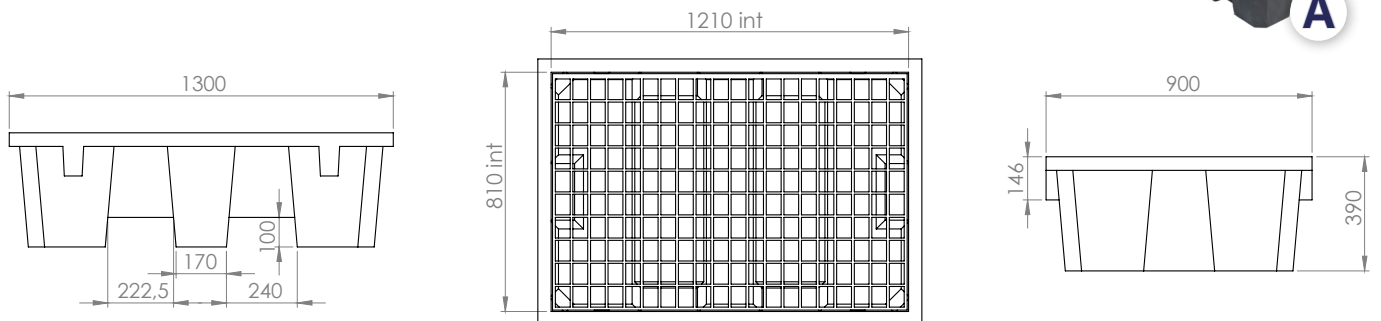
B



C



A



2 DRUM SPILL PALLET - 240 LITERS

HDPE Grid - Ref: B2FP240006F

100% HDPE spill containment pallet with Grid.
Removable HDPE Grid.
Forklift entry on 4 sides.
Optimized footprint to fit 3 units under a 2700 mm beam.

Technical information:

Sump capacity: **240 L**

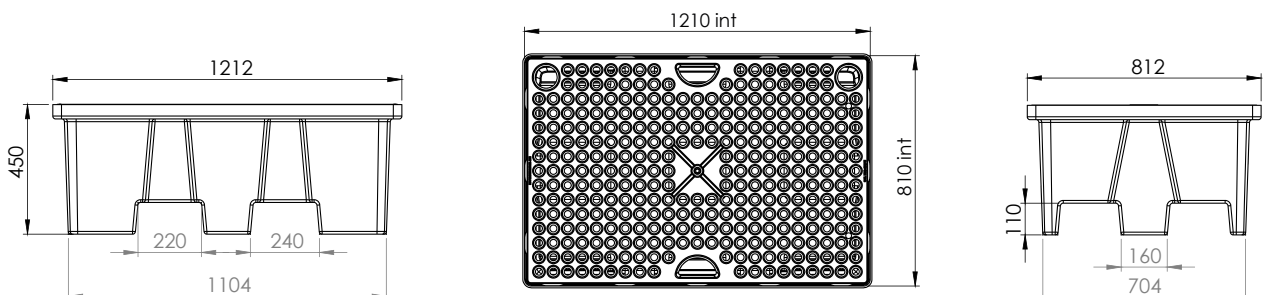
Load capacity: **650 kg**

Dimensions (L x W x H): **1212 x 812 x 450 mm**

Grid dimensions (L x W): **1200 x 800 mm**

Finish: **Yellow (TEIN006 - Close to RAL 1028)**

Number of units per stack: **10**



2-DRUM SPILL PALLET - 240 LITERS

Available in 2 versions:

A - HDPE Grid - Ref: BRLP240006F

B - Without Grid - Ref: BRL240006F

100% HDPE with removable Grid in HDPE.
Four-way forklift entry system.

Technical information:

Sump capacity : **240 L**

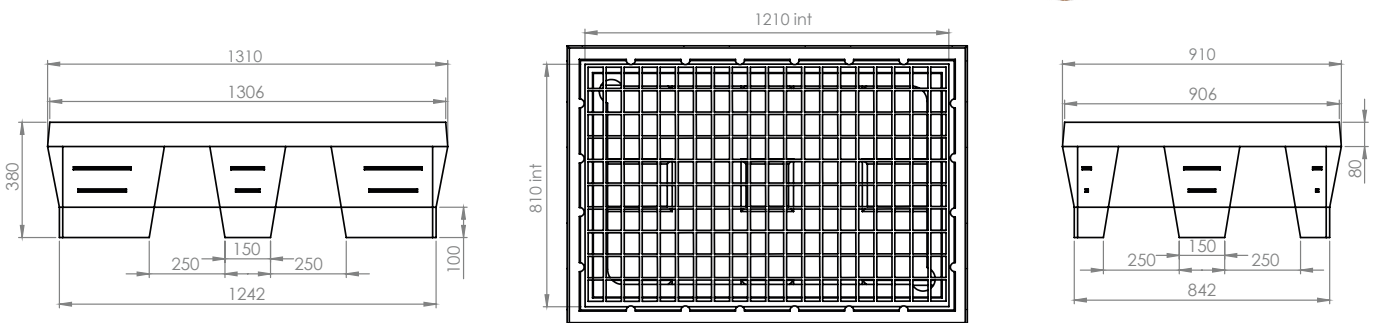
Load capacity : **650 kg**

Dimensions (L x w x h) : **1310 x 910 x 300 mm**

Grid dim. (L x w) : **1200 x 800 mm**

Finish : **Yellow (TEIN006 - RAL 1028)**

Number of units per stack: **6**



2-DRUM SPILL PALLET - 450 LITERS

Available in 2 versions:

A - Galvanized steel Grid - Ref: BRLG450/570006F

B - HDPE Grid - Ref: BRLP450/570006F

100% containment capacity.

100% HDPE spill containment pallet with Grid.
Removable Grid in galvanized steel or HDPE.
Forklift entry on 4 sides.

Technical information:

Sump capacity: **450 L**

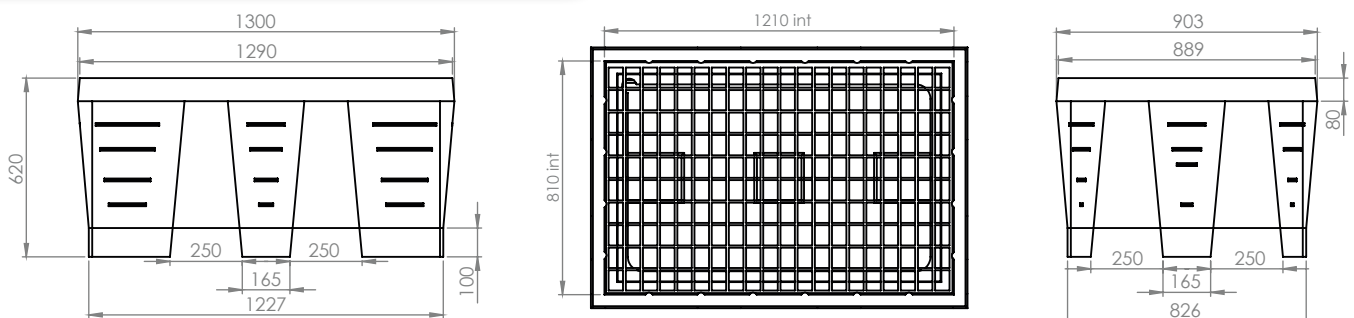
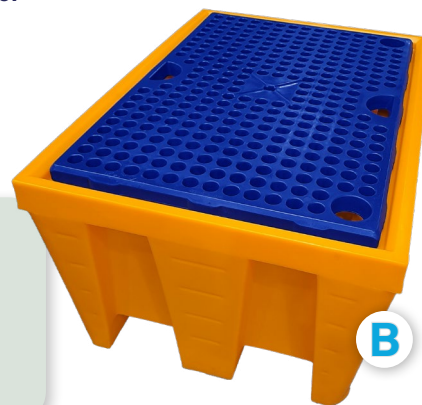
Load capacity: **500 kg**

Dimensions (L x W x H): **1300 x 900 x 620 mm**

Grid dimensions (L x W): **1200 x 800 mm**

Finish: **Yellow (TEIN008 - Close to RAL 1028)**

Number of units per stack: **3**



2-DRUM SPILL PALLET - 220 LITERS

Available in 2 versions:

A - Galvanized steel Grid - Ref: BRCG220006F

B - HDPE Grid - Ref: BRCP220006F

Small height, perfect for 2 drums in dispensing position.
Reachable with a sack TROLLEY.
100% HDPE with a removable Grid in galvanised steel.
Two-way forklift entry system.

Technical information:

Sump capacity: **220 L**

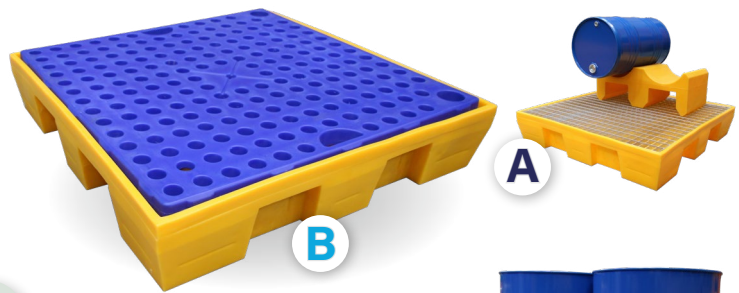
Load capacity: **1100 kg**

Dimensions (L x w x h): **1250 x 1250 x 240 mm**

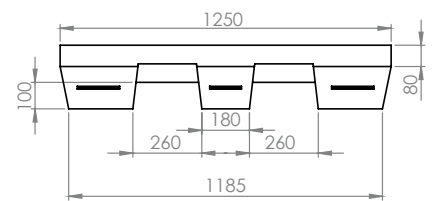
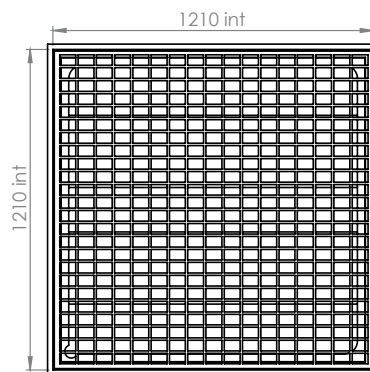
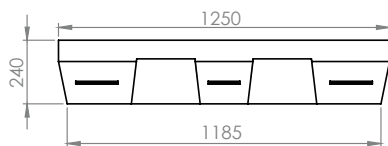
Grid dim. (L x w): **1200 x 1200 mm**

Finish: **Yellow (TEIN006 - RAL 1028)**

Number of units per stack: **9**



DIBt Also available in DIBt version (see p. 12)



2-DRUM SPILL CONTAINMENT PALLET - 240 LITERS

Available in 3 versions:

A - Galvanized steel Grid - Ref: B2FFPG008F

B - HDPE Grid - Ref: B2FFPP008F

C - Without Grid - Ref: B2FFPSC008F

100% HDPE with removable Grid in galvanised steel.
Flat bottom, easy to clean.

Technical information:

Sump capacity: **240 L**

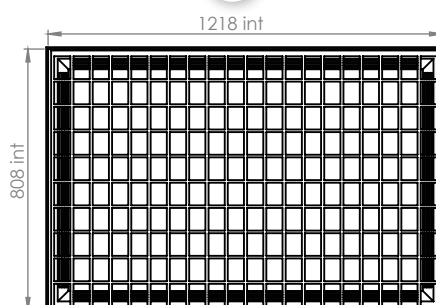
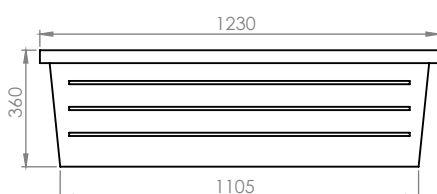
Load capacity: **500 kg**

Dimensions (L x w x h): **1222 x 812 x 350 mm**

Grid dim. (L x l): **1200 x 800 mm**

Finish: **Black (TEIN008 - RAL 9017)**

Number of units per stack: **15**



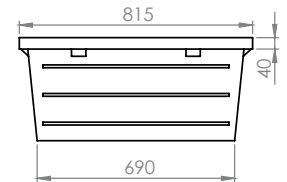
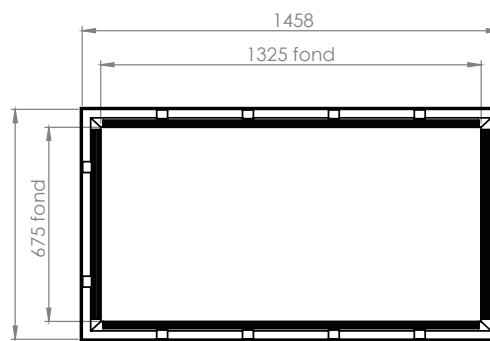
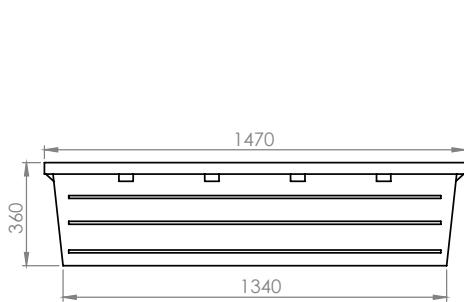
2 DRUM SPILL PALLET - 300 LITERS

Without Grid - Ref: B2FFPGMSC008F

Flat bottom to put 2 drums, easy to clean
100% HDPE without Grid

Technical information:

Sump capacity: **300L**
Load Sump capacity: **400Kg**
Dimensions (L x w x h): **1470 x 815 x 360 mm**
Finish: **Black (TEIN008 - RAL 9017)**
Number of units per stack: **15**



2 DRUM SPILL PALLET - 240 LITERS

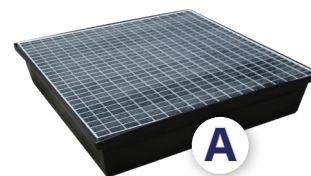
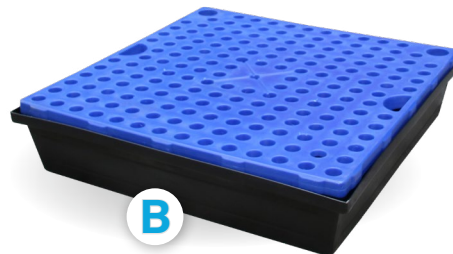
Available in 3 versions:

A - Galvanized steel Grid - Ref: B4FFPG008F

B - HDPE Grid - Ref: B4FFPP008F

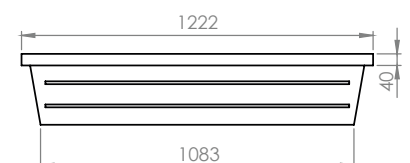
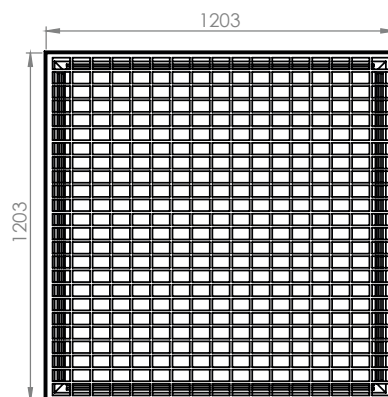
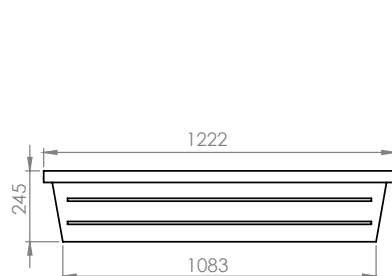
C - Without Grid - Ref: B4FFPSC008F

Small height, perfect for 2 drums in dispensing position.
Reachable with a sack trolley.
100% HDPE with removable Grid in galvanised steel.
Flat bottom, easy to clean.



Technical information:

Sump capacity: **240 L**
Load capacity: **900 kg**
Dimensions (L x w x h): **1215 x 1215 x 245 mm**
Grid dim. (L x w): **1203 x 1203 mm**
Finish: **Black (TEIN008 - RAL 9017)**
Number of units per stack: **15**



4 DRUM SPILL PALLET - 450 LITERS

Available in 2 versions:

A - Galvanized steel Grid - Ref: BRCG450006F

B - HDPE Grid - Ref: BRCP450006F

100% HDPE with removable Grid in galvanised steel.
Four-way forklift entry system.

Technical information:

Sump capacity: **450 L**

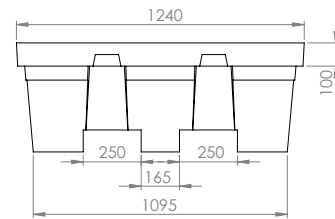
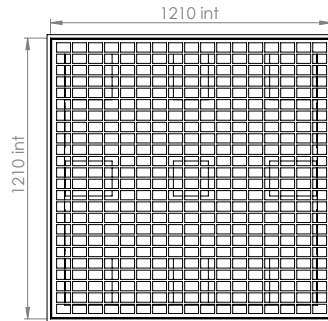
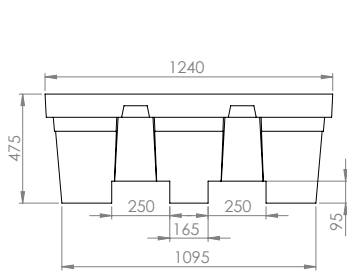
Load capacity: **1300 kg**

Dimensions (L x w x h): **1240 x 1240 x 470 mm**

Grid dim. (L x w): **1200 x 1200 mm**

Finish: **Yellow (TEIN006 - RAL 1028)**

Number of units per stack: **5**



ECO-DESIGNED 4 DRUM SPILL PALLET - 450 LITERS

Available in 2 versions:

A - Galvanized steel Grid - Ref: BRCECOG450/485008F

B - HDPE Grid - Ref: BRCECOP450/485008F

100% HDPE with removable Grid in galvanised steel.
Four-way forklift entry system.
Nestable to save transport volume and storage.

Technical information:

Sump capacity: **450 L**

Load capacity: **1100 kg**

Dimensions (L x w x h): **1300 x 1300 x 485 mm**

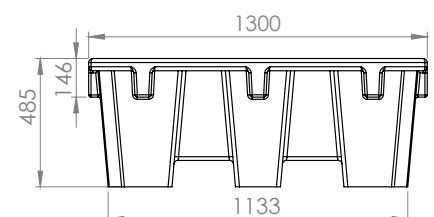
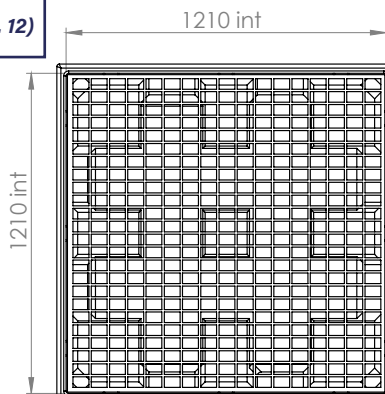
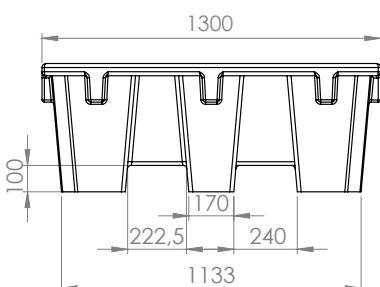
Grid dim. (L x w): **1200 x 1200 mm**

Finish: **(Black (TEIN008 - RAL 9017))**

Number of units per stack: **10**



DIBt Also available in DIBt version (see p. 12)



4 DRUM SPILL PALLET - 450 LITERS

HDPE Grid - Ref. BRCECOP450008F

100% HDPE with removable Grid in PE.
Two-way forklift entry system.

Technical Information:

Sump capacity: **450 L**

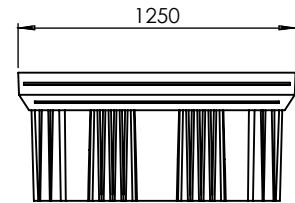
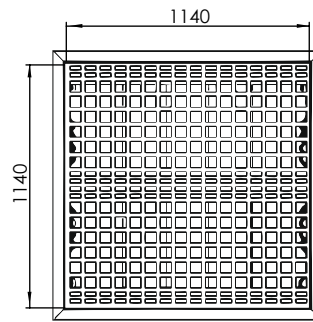
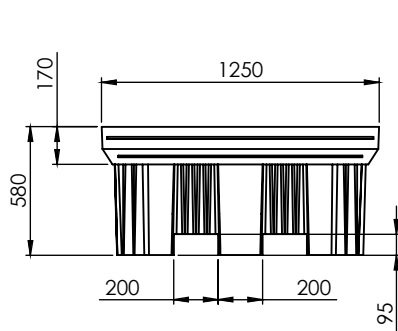
Load capacity: **1000 kg**

Dimensions (L x W x H): **1250 x 1250 x 580 mm**

Grid dimensions (L x W): **1140 x 1140 mm**

Finish: **Black (TEIN008 - Close to RAL 9017)**

Number of units per stack: **4**



4 DRUM SPILL PALLET - 450 LITERS

Available in 2 versions:

A - Galvanized steel Grid - Ref. BRLG450006F

B - PP Grid - Ref. BRLP450006F

100% HDPE with removable Grid in galvanised steel.
Four-way forklift entry system.

Technical Information:

Sump capacity: **450 L**

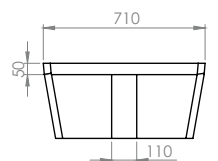
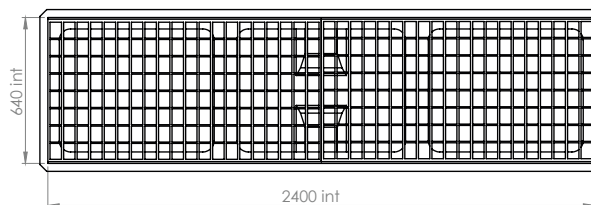
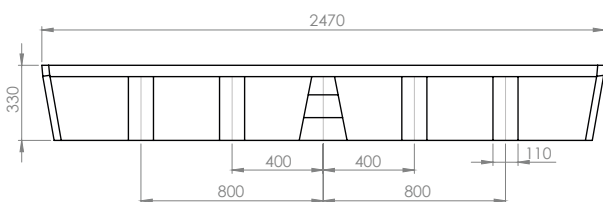
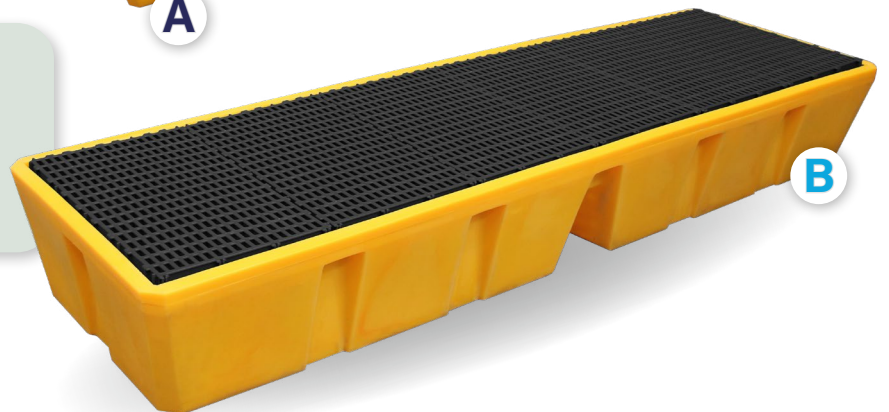
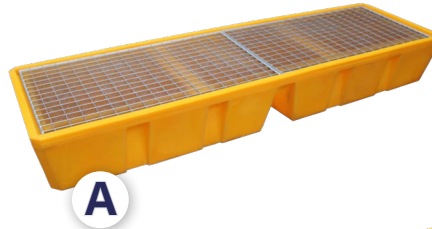
Load capacity: **1100 kg**

Dimensions (L x w x h): **2470 x 710 x 330 mm**

Grid dim. (L x w): **2400 x 640 mm**

Finish: **Yellow (TEIN006 - RAL 1028)**

Number of units per stack: **6**



4 IN-LINE DRUM SPILL PALLET - 450 LITERS

Available in 3 versions:

A - Galvanized steel Grid - Ref. BRLG450/380006F

B - HDPE Grid - Ref. BRLP450/380006F

C - Without Grid - Ref. BRL450/380006F

100% HDPE with removable Grid in galvanised steel.
Four-way forklift entry system.

Technical Information:

Dimensions (L x w x h): **2480 x 900 x 380 mm**

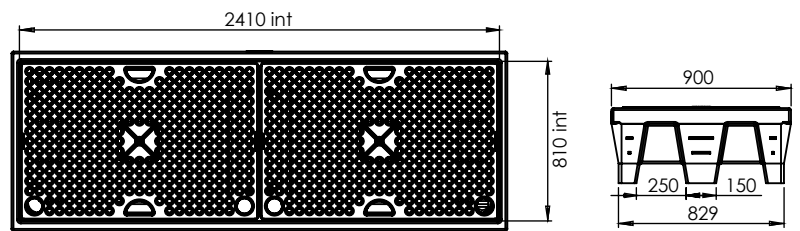
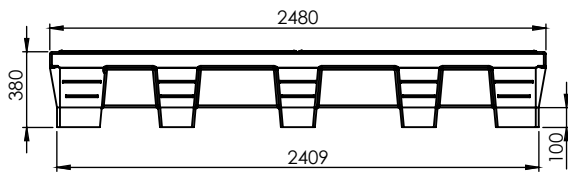
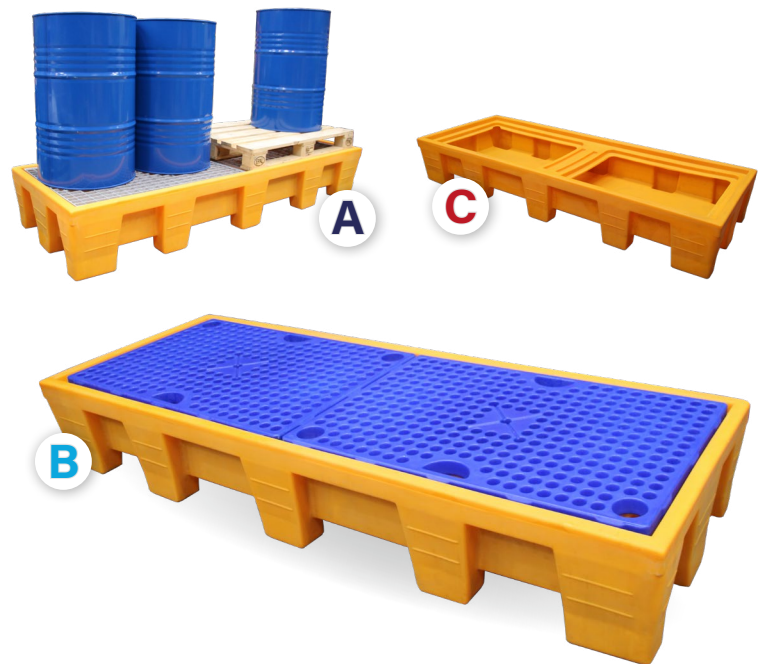
Grid dim. (L x w): **2400 x 800 mm**

Finish: **Yellow** (TEIN006 - RAL 1028)

Sump capacity: **450 L**

Load capacity: **1100 kg**

Number of units per stack : **6**



4 DRUM SPILL PALLET - 880 L

Available in 2 versions:

A - Galvanized steel Grid - Ref. MRG880006F

B - HDPE Grid - Ref. MRP880006F

100% HDPE with removable Grid in HDPE.
Four-way forklift entry system.

Technical Information:

Dimensions (L x w x h): **1290 x 1290 x 705 mm**

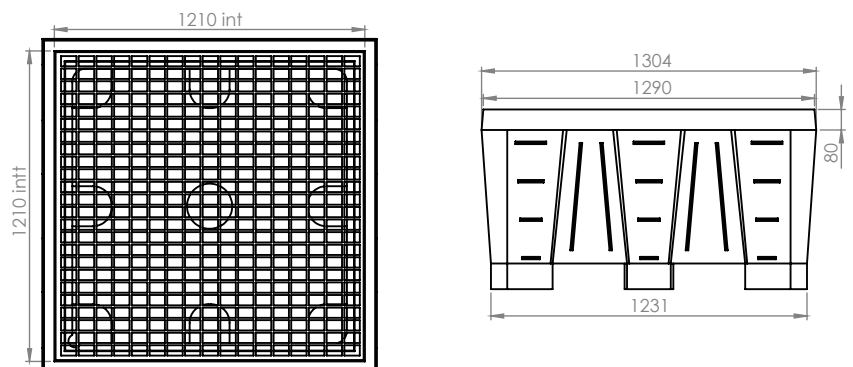
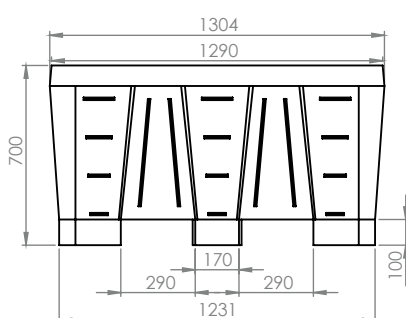
Grid dim. (L x w): **1200 x 1200 mm**

Finish: **Yellow** (TEIN006 - RAL 1028)

Sump capacity: **880 L**

Load capacity: **1500 kg**

Number of units per stack : **3**



1 IBC SPILL PALLET - 1000 LITERS

Available in 2 versions:

A - Galvanized steel Grid - Ref. MRG1000006F

B - Plastic-coated steel Grid (Plastisol) - Ref. MRP1000006F

Larg platform to allow additional drum storage.
100% HDPE with Grid.
Removable Grid in galvanised steel.
Four-way forklift entry system.

Technical Information:

Dimensions (L x w x h): **1750 x 1450 x 595 mm**

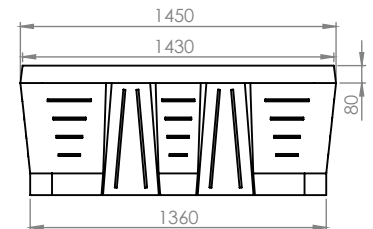
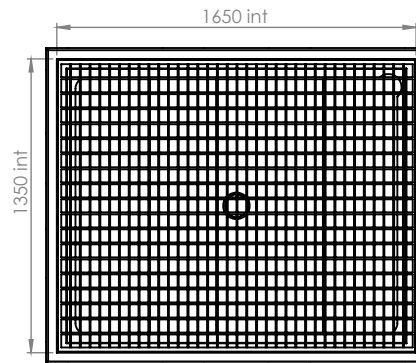
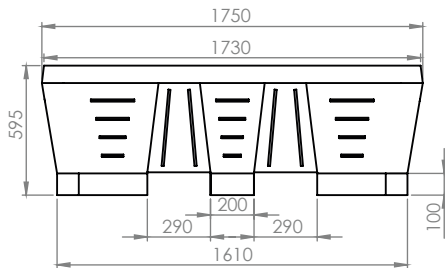
Grid dim. (L x w): **1635 x 1335 mm**

Finish: **Yellow** (TEIN006 - RAL 1028)

Sump capacity: **1000 L**

Load capacity: **2000 kg**

Number of units per stack : **3**



IBC SPILL PALLET - 1050 LITERS

Available in 3 versions:

A - Galvanized steel Grid - Ref. BACRG1050/2180006F

B - HDPE Grid - Ref. BACRP1050/2180006F

C - Without Grid - Ref. BACR1050/2180006F

100% HDPE with removable Grid in galvanised steel.
Two-way forklift entry system.
Dimensions adapted to racks depths (beam length. 2250 mm).

Technical Information:

Dimensions (L x w x h): **2180 x 1300 x 575 mm**

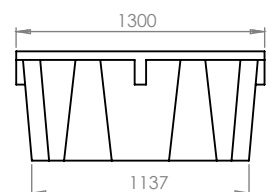
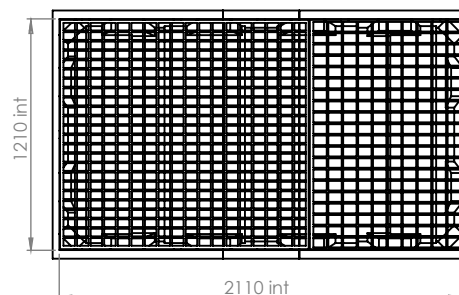
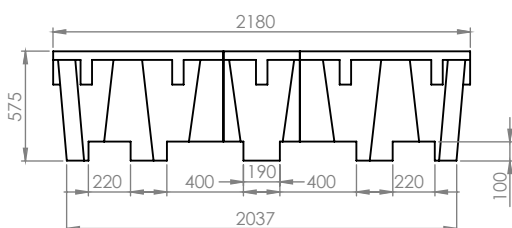
Grid dim. (L x w): **2100 x 1200 mm**

Finish: **Yellow** (TEIN006 - RAL 1028)

Sump capacity: **1050 L**

Load capacity: **2000 kg**

Number of units per stack : **4**

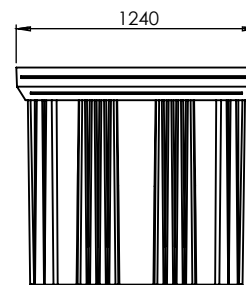
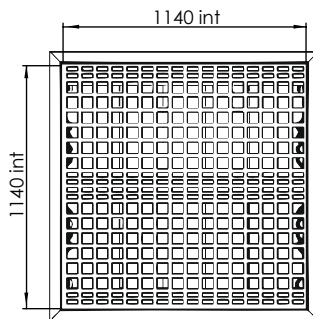
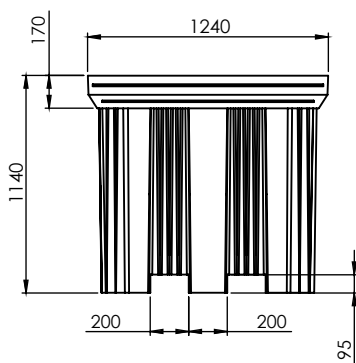


1 IBC SPILL PALLET - 1050 LITERS
HDPE Grid - Ref. BRCECOP1050008F

Compact design for a reduced footprint.
 100% HDPE spill containment pallet with Grid.
 Removable HDPE Grid (pallet type).
 Forklift entry on 4 sides.

Technical Information:

Dimensions (L x w x h): **1240 x 1240 x 1140 mm**
 Grid dim. (L x w): **1140 x 1140 mm**
 Finish: **Black** (TEIN008 - Close to RAL 9017)
 Sump capacity: **1050 L**
 Load capacity: **1600 kg**
 Number of units per stack : **2**



1 IBC SPILL PALLET - 1100 L **D2**

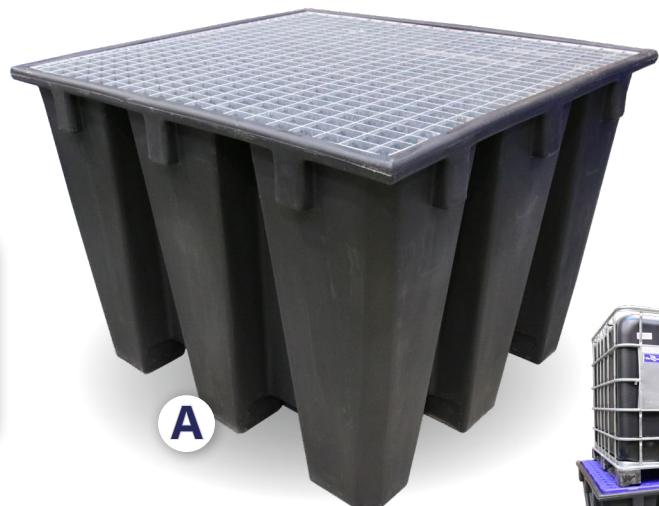
Available in 2 versions:

- A - Galvanized steel Grid - Ref. BRCECOG1100/1000008F**
- B - PP Grid - Ref. BRCECOP1100/1000008F**

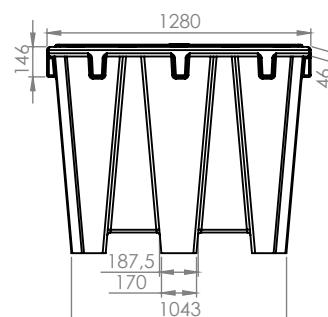
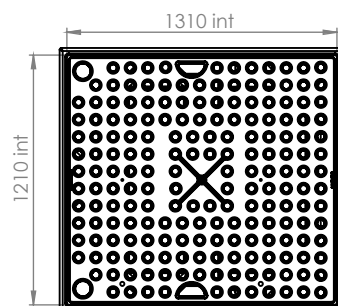
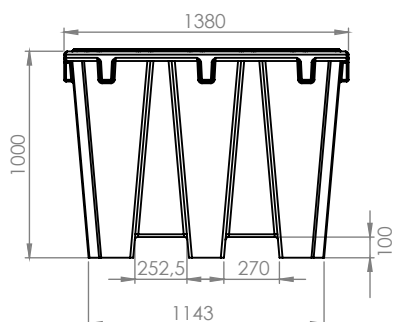
Nestable to save transport volume and storage.
 100% HDPE with Grid.
 Removable Grid in galvanised steel.
 2-way forklift entry system.

Technical Information:

Dimensions (L x w x h): **1380 x 1280 x 1000 mm**
 Grid dim. (L x w): **1300 x 1200 mm**
 Finish: **Black** (TEIN008 - Close to RAL 9017)
 Sump capacity: **1100 L**
 Load capacity: **1500 kg**
 Number of units per stack : **7**



DIBt Also available in DIBt version (see p. 13)



1 IBC SPILL PALLET WITH DISPENSER - 1100 L

Available in 3 versions:

A - Galvanized steel Grid - Ref. MRG1100/SOUT006F

B - HDPE Grid - Ref. MRP1100/SOUT006F

C - Without Grid - Ref. MR1100/SOUT006F

Pallet has built-in dispensing area.
100% HDPE with or without Grid.
Removable Grid in galvanised steel.
Two-way forklift entry system.

Technical Information:

Dimensions (L x w x h): **1700 x 1300 x 940 mm**

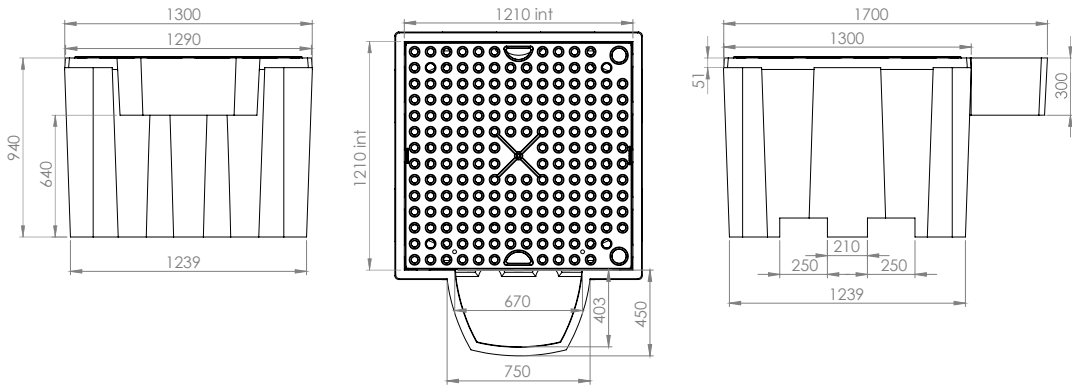
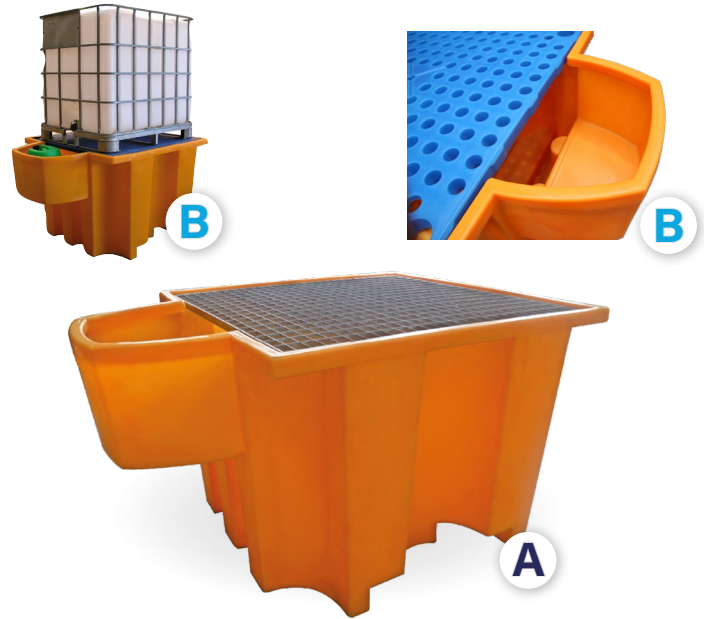
Grid dim. (L x w): **1200 x 1200 mm**

Finish: **Yellow** (TEIN006 - RAL 1028)

Sump capacity: **1100 L**

Load capacity: **1500 kg**

Number of units per stack : **2**



1 IBC SPILL PALLET - 1200 L

HDPE Grid - Ref. MRP1200/SOUTPI06F

Inclined placement surface optimizing liquid flow during opening.
Retention tray 100% HDPE with Grid.
Removable HDPE Grid.
Forklift access on 2 sides.
Dedicated space for placing a container during dispensing.

Technical Information:

Dimensions (L x w x h): **1600 x 1230 x 980/900 mm**

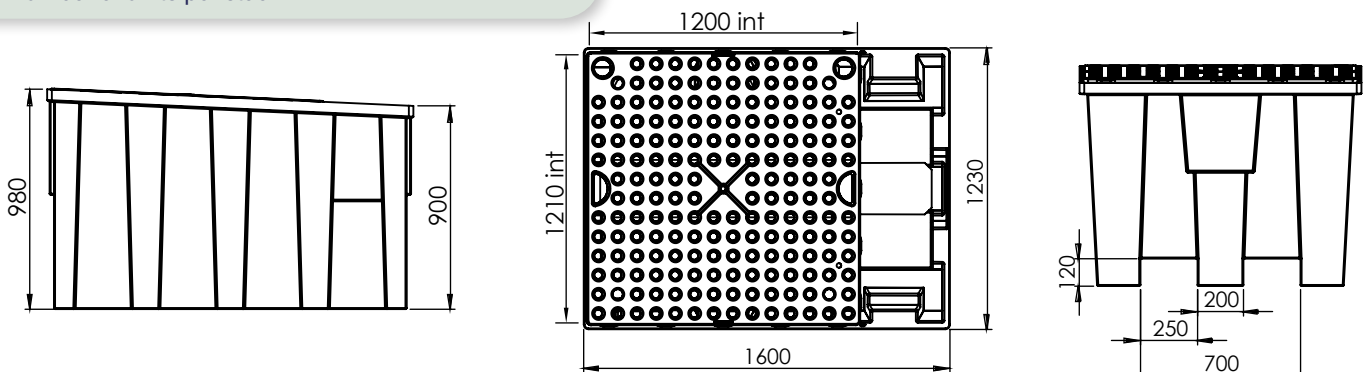
Grid dim. (L x w): **1200 x 1200 mm**

Finish: **Yellow** (TEIN006 - RAL 1028)

Sump capacity: **1200 L**

Load capacity: **1500 kg**

Number of units per stack : **2**



Available options:
page 36

1 IBC SPILL PALLET - 1200 L

Available in 2 versions:

A - Galvanized steel Grid - Ref. MRG1200006F

B - HDPE Grid - Ref. MRP1200006F

Compact design for space saving.
100% HDPE with Grid.
Removable Grid in galvanised steel.
Four-way forklift entry system.

Technical Information:

Dimensions (L x w x h): **1300 x 1300 x 900 mm**

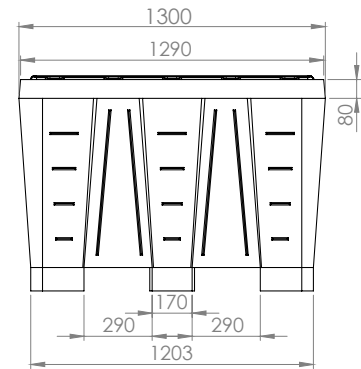
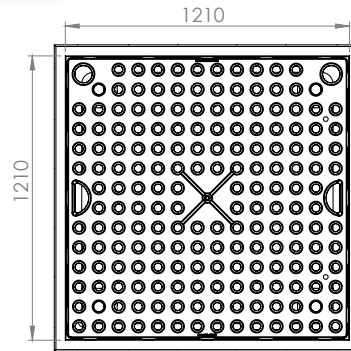
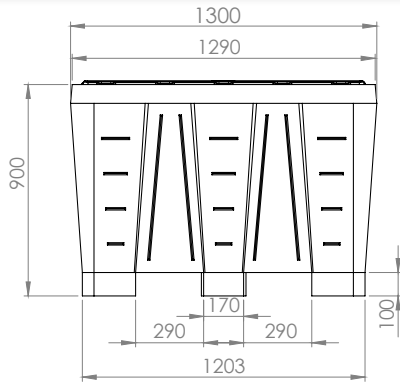
Grid dim. (L x w): **1200 x 1200 mm**

Finish: **Yellow** (TEIN006 - RAL 1028)

Sump capacity: **1200 L**

Load capacity: **2000 kg**

Number of units per stack : **2**



1 IBC SPILL PALLET - 1500 L

Plastic-coated steel Grid (Plastisol) - Ref. MRP1500006F

100% HDPE with Grid.
Removable Grid in "Plastisol".
Four-way forklift entry system.
Large sump capacity.

Technical Information:

Dimensions (L x w x h): **1830 x 1830 x 640 mm**

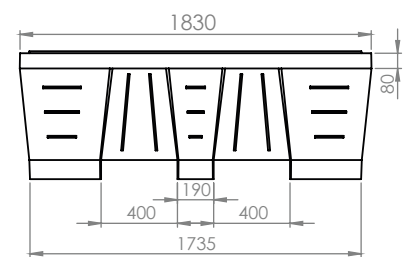
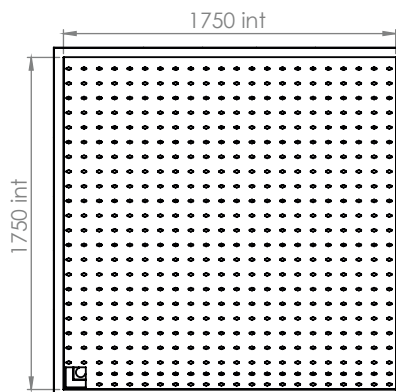
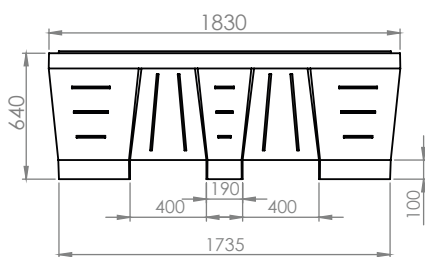
Grid dim. (L x w): **1750 x 1750 mm**

Finish: **Yellow** (TEIN006 - RAL 1028)

Sump capacity: **1500 L**

Load capacity: **2000 kg**

Number of units per stack : **3**



OPTIONS

Optional cover for 1 or 2 IBC spill pallets

Available in 2 versions:

For 1 IBC spill pallet - Ref : BAP1300/1300GF

For 2 IBC spill pallet - Ref : BAP2500 / 1290GF

TARP FOR IBC PALLET

Economic solution to keep dry for outdoor storage.
Zipper to access to the dispensing side.

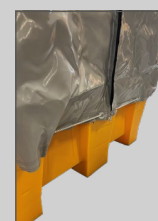
The tarp is maintained by an elastic band on the edges of the tank.

Tarp to cover drums or IBC.

Technical Information:

Dim : 1380 x 1380 x 11420 mm

Finish: grey



Option for the 1500-liter 1 IBC spill pallet

Ref : RENFORT3600008F

(Ref. MRP1500006F)

Removable internal reinforcement

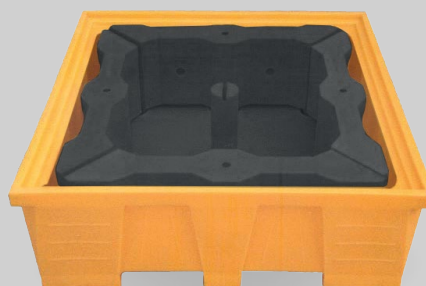
Fits into the 1500-liter spill containment pallet to increase load capacity from 2000 to 3600 kg (UDL).
Composed of 4 removable supports.

Please note: once the reinforcement is installed, the containment volume of the 1500-liter pallet is reduced to 1140 liters.

Technical Information:

Dimensions (L x w x h): 1200 x 1200 x 405 mm

Finish: Black (TEIN008 - Close to RAL9017)



Options for IBC spill pallets

Dispensing riser

Ref : REHAUSSEMR008F

Sloped surface (from 405 to 370 mm) to facilitate drainage.

Raises the container for easier dispensing.

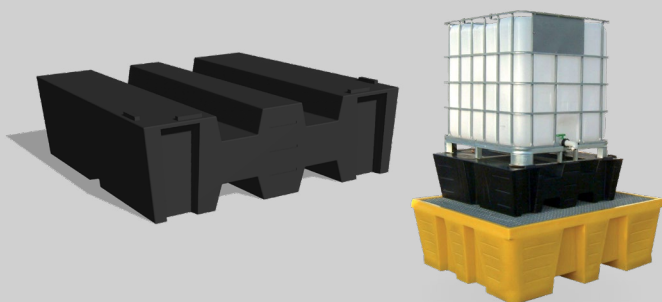
Manufactured from 100% HDPE.

Technical Information:

Dimensions (L x w x h): 1200 x 1220 x 407 / 370 mm

Load capacity: 1500 kg

Finish: Black (TEIN008 - Close to RAL9017)



Dispensing container

Available in 2 versions:

A - Container only

(For 2 IBC containers - 1050 L) - Ref. RECEPMRBI006F

B - Container with stand

(For IBC containers: 1000 L, 1200 L & 1500 L) -

Ref. RECEPMR006F

Lies onto the edge of the spill containment pallet.

Compatible with all pallets, with or without leveling feet.

Manufactured from 100% HDPE.

Technical Information:

Dimensions (L x w x h): 630 x 575 x 475 mm

Ø : 500 mm

Finish: Yellow (TEIN006 - Close to RAL1028)



2 IBC / 8 DRUM SPILL PALLET - 1050 LITERS



Available in 2 versions:

A - Galvanized steel Grid - Ref. MRG1050/BI006F

B - HDPE Grid - Ref. MRP1050/BI006F

100% HDPE with Grid.
Removable Grid in galvanised steel.
Two-way forklift entry system.

Technical Information:

Dimensions (L x w x h): **2500 x 1300 x 490 mm**

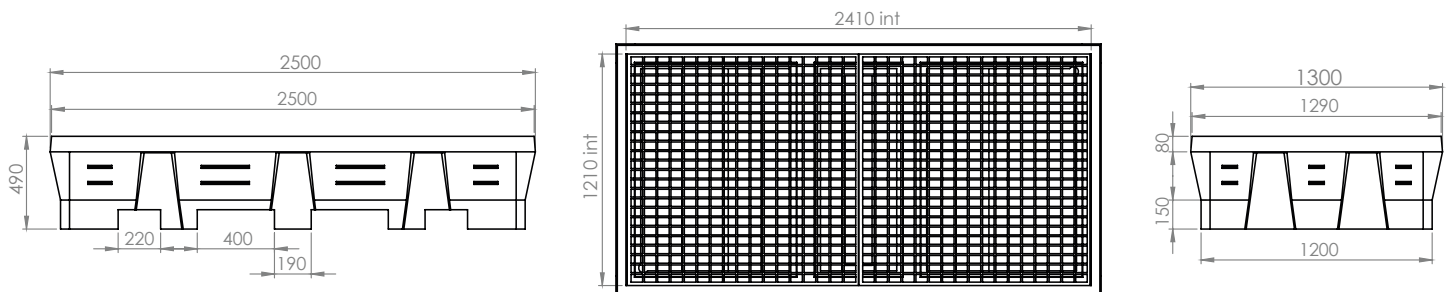
Grid dim. (L x w): **2400 x 1200 mm**

Finish: **Yellow** (TEIN006 - RAL 1028)

Sump capacity: **1050 L**

Load capacity: **4600 kg**

Number of units per stack : **4**



ECO-DESIGNED 2 IBC / 8 DRUM SPILL PALLET - 1050 L



Available in 2 versions:

A - Galvanized steel Grid - Ref. MRGECO1050/BI008F

B - HDPE Grid - Ref. MRPECO1050/BI008F

Nestable to save transport volume and storage.
100% HDPE with Grid.
Removable Grid in galvanised steel.
Two-way forklift entry system.

Technical Information:

Dimensions (L x w x h): **2500 x 1300 x 530 mm**

Grid dim. (L x w): **2400 x 1200 mm**

Finish: **Black** (TEIN008 - Close to RAL 9017)

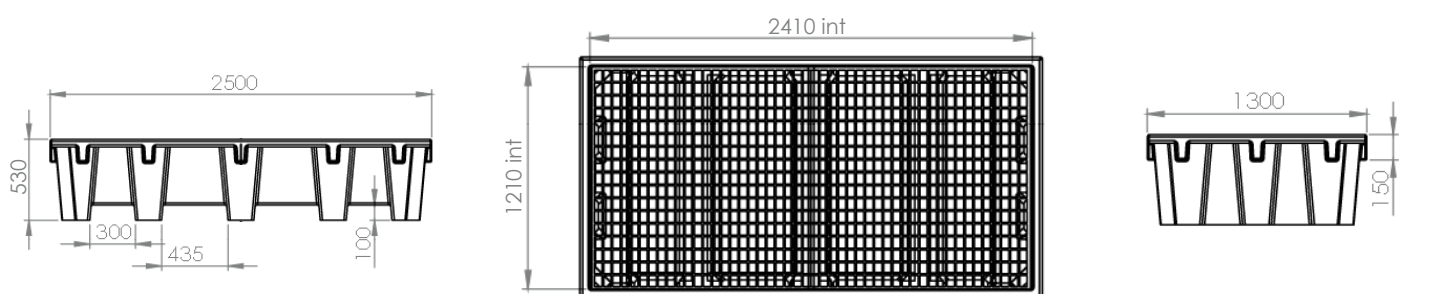
Sump capacity: **1050 L**

Load capacity: **3900 kg**

Number of units per stack : **6**



DIBt Also available in DIBt version (see p. 14)

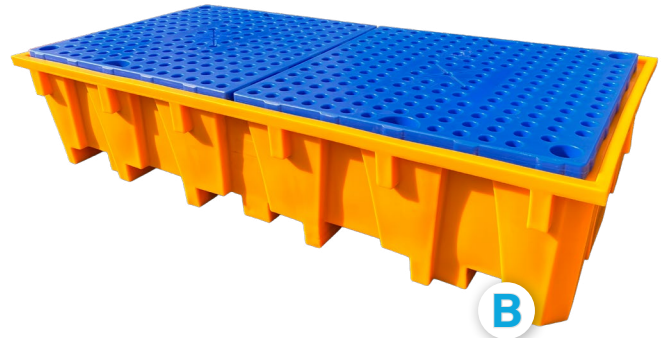


IBC SPILL PALLET - 1330 LITERS

Available in 3 versions:

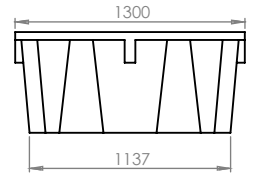
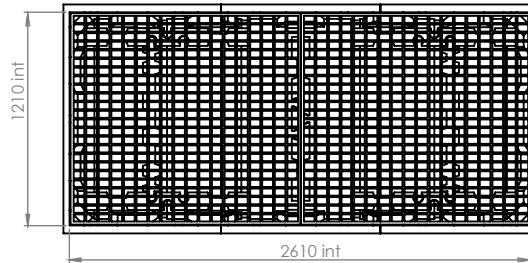
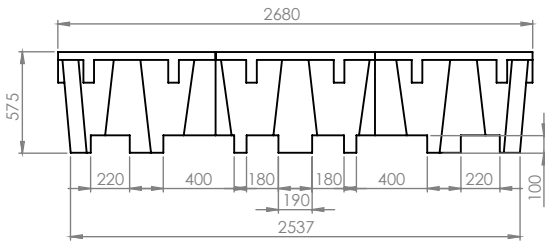
- A - Galvanized steel Grid - Ref. BACRG1330/2680006F**
- B - HDPE Grid - Ref. BACRP1330/2680006F**
- C - Without Grid - Ref. BACR1330/2680006F**

100% HDPE with removable Grid in HDPE.
Two-way forklift entry system.
Dimensions adapted to racks depths (beam length 2700 mm).



Technical Information:

Dimensions (L x w x h): **2680 x 1300 x 575 mm**
Grid dim. (L x w): **2600 x 1200 mm**
Finish: **Yellow** (TEIN006 - RAL 1028)
Sump capacity: **1330 L**
Load capacity: **4600 kg**
Number of units per stack : **4**

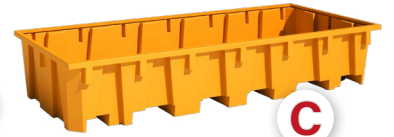


IBC SPILL PALLET - 1650 LITERS

Available in 3 versions:

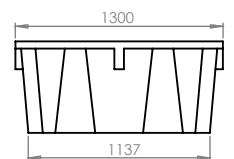
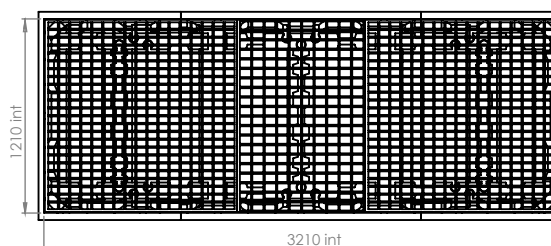
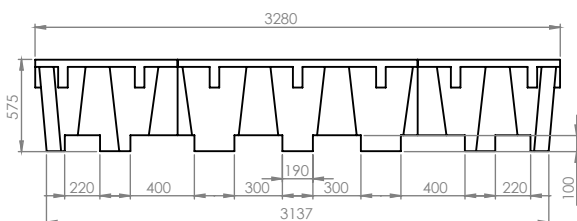
- A - Galvanized steel Grid - Ref. BACRG1650/3280006F**
- B - HDPE Grid - Ref. BACRP1650/3280006F**
- C - Without Grid - Ref. BACR1650/3280006F**

100% HDPE with removable Grid in HDPE.
Optimize your space with 3 IBC on the same pallet.
Two-way forklift entry system.
Dimensions adapted to racks depth (beam length 3300 mm).



Technical Information:

Dimensions (L x w x h): **3280 x 1300 x 575 mm**
Grid dim. (L x w): **3200 x 1200 mm**
Finish: **Yellow** (TEIN006 - RAL 1028)
Sump capacity: **1650 L**
Load capacity: **5700 kg**
Number of units per stack : **4**



COVER SYSTEMS

This cover system is available in two sizes and fits onto spill containment pallets for outdoor storage. Its structure is made of galvanized steel and is fully demountable, with fastening to the tubes using Velcro straps. The front curtain can be rolled up. Supplied as a kit.

A cover without structure is also available for outdoor storage. Its front curtain can be opened with a zipper and it is available in grey.

Small-size cover system

Ref : **STRUCTB1300GF**

Compatible with many product references (please contact us).
Galvanized steel structure with 30 mm tubes.
Fully demountable.

Technical Information:

Materials: **650 g/m² UV-treated PVC fabric**

Finish: **Grey**

Overall height (front side): **1600 mm**

Overall height (rear side): **1300 mm**

Opening height: **1500 mm**

Width: **1300 mm**

**Large-size cover system**

Ref : **STRUCTBMR1050F**

Compatible with many product references (please contact us).
Galvanized steel structure with 30 mm tubes.
Fully demountable.

Technical Information:

Materials: **650 g/m² UV-treated PVC fabric**

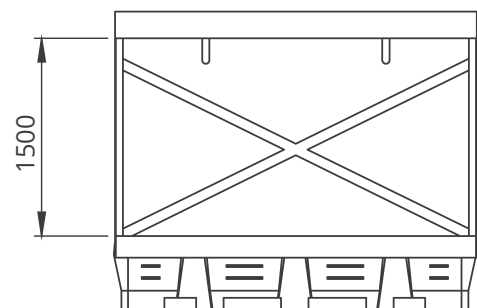
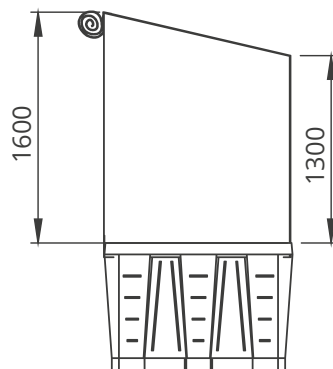
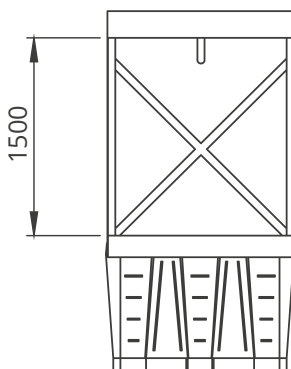
Finish: **Grey**

Overall height (front side): **1600 mm**

Overall height (rear side): **1300 mm**

Opening height: **1500 mm**

Width: **2500 mm**



MINI SPILL PALLETS AND TRAYS



**5-year warranty against
manufacturing defects**



PRODUCT BENEFITS

- Corrosion-resistant
- Removable grid for easy cleaning
- Resistant to most corrosive liquids
- Helps prevent any risk of pollution



Dimensional and volumetric tolerances
The stated dimensions may vary by $\pm 4\%$.
Color variations may occur.

RAL references are provided for guidance only and are
not contractual.

SPILL TRAY - 100 LITERS D2

Available in 2 versions:

A - PP Grid - Ref. PFCP100006F

B - Without Grid - Ref. PF100006F

100% HDPE with Grid.
Removable Grid in PP.
Flat bottom, easy to clean.
Can be use on a trolley.

Technical Information:

Dimensions (L x w x h): **990 x 645 x 145 mm**

Grid dim. (L x w): **930 x 525 mm**

Finish: **Yellow** (TEIN006 - RAL 1028)

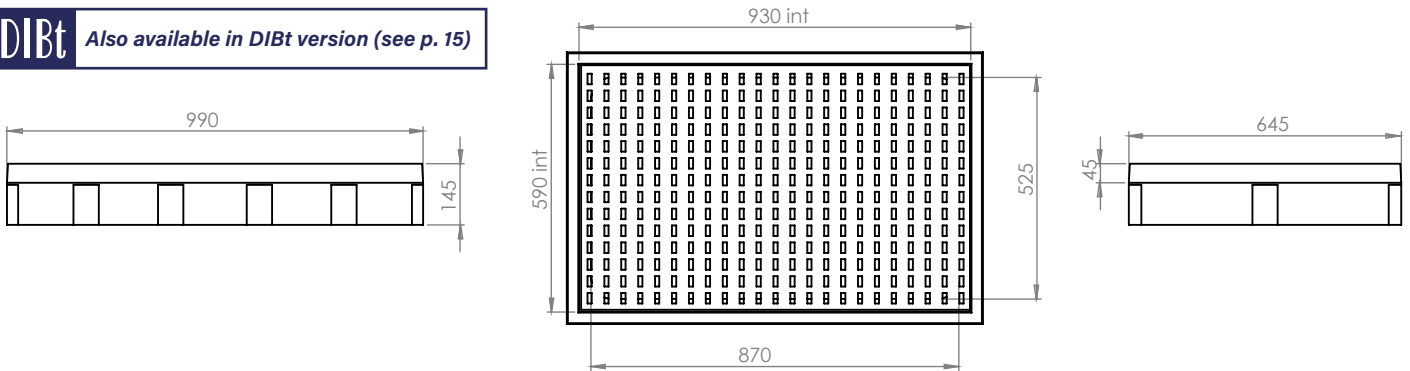
Sump capacity: **100 L**

Load capacity: **150 kg**

Number of units per stack : **15**



DIBt Also available in DIBt version (see p. 15)



SPILL TRAY - 200 LITERS D2

Available in 2 versions:

A - PP Grid - Ref. PFCP200006F

B - Without Grid - Ref. PF200006F

100% HDPE with Grid.
Removable Grid in PP.
Flat bottom, easy to clean. Can be use on a trolley.

Technical Information:

Dimensions (L x w x h): **990 x 645 x 345 mm**

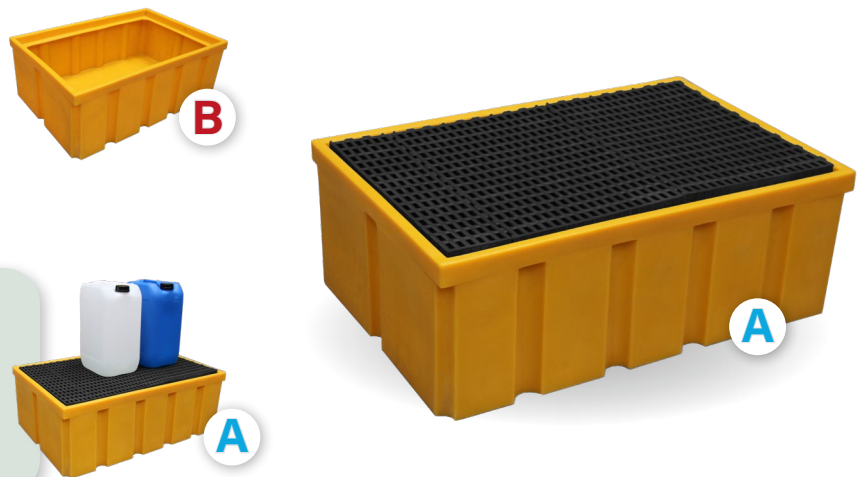
Grid dim. (L x w): **930 x 525 mm**

Finish: **Yellow** (TEIN006 - RAL 1028)

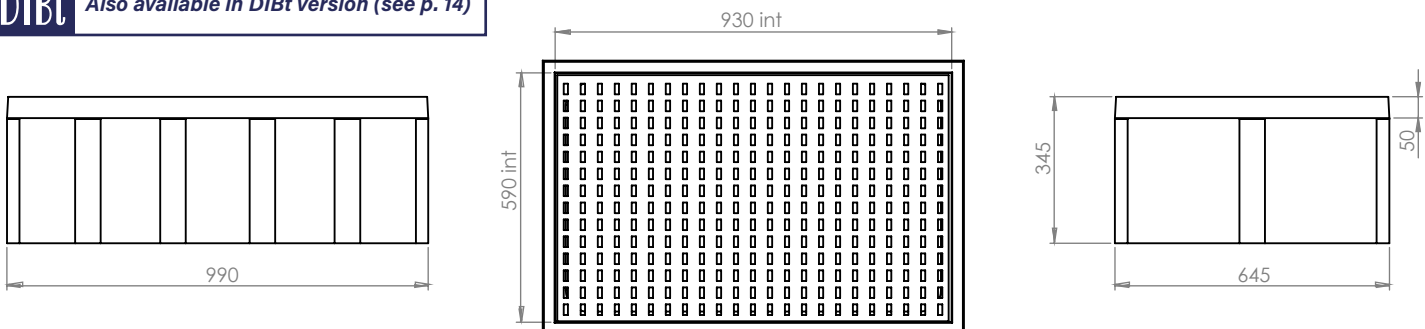
Sump capacity: **200 L**

Load capacity: **250 kg**

Number of units per stack : **6**



DIBt Also available in DIBt version (see p. 14)



SPILL PALLET - 120 LITERS

Available in 3 versions:

A - Galvanized steel Grid - Ref. BRLG120/230006F

B - HDPE Grid - Ref. BRLP120/230006F

C - Without Grid - Ref. BRL120/230006F

100% HDPE with Grid.
Removable Grid in HDPE.
Two-way forklift entry system.
Small height, easy access

Technical Information:

Dimensions (L x w x h): **1240 x 840 x 230 mm**

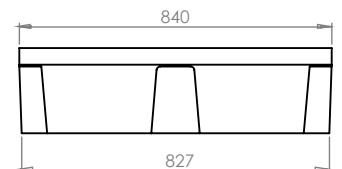
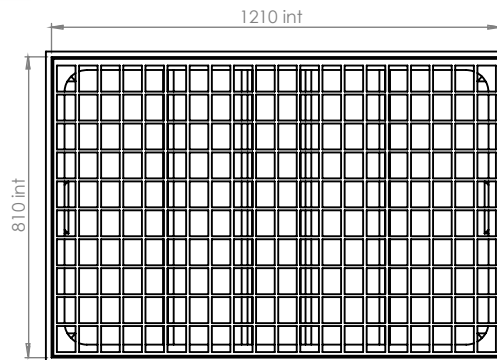
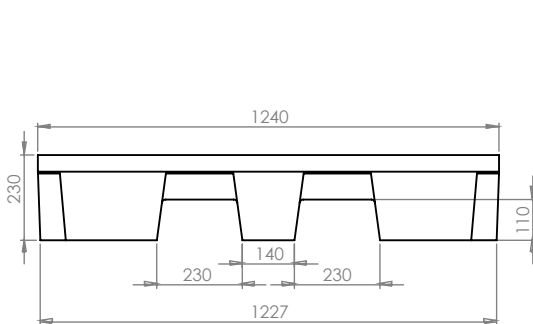
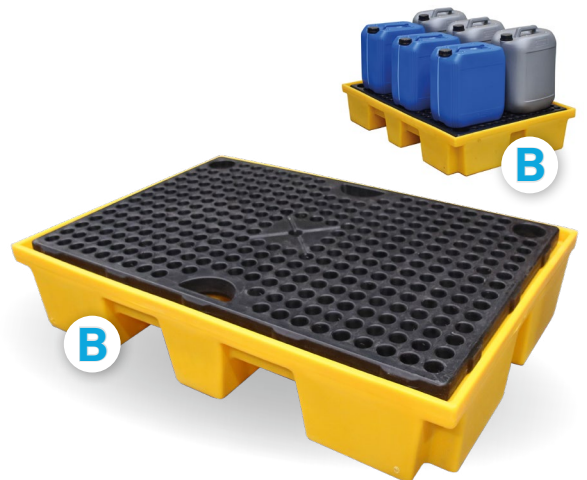
Grid dim. (L x w): **1200 x 800 mm**

Finish: **Yellow** (TEIN006 - RAL 1028)

Sump capacity: **120 L**

Load capacity: **650 kg**

Number of units per stack : **9**



ECO-DESIGNED SPILL PALLET - 120 LITERS



Available in 3 versions:

A - Galvanized steel Grid - Ref BRLECOG120/230008F

B - HDPE Grid - Ref. BRLECOPE120/230008F

C - Without Grid - Ref. BRLECO120/230008F

100% HDPE with Grid.
Removable Grid in HDPE.
Two-way forklift entry system.
Small height, easy access

Technical Information:

Dimensions (L x w x h): **1240 x 840 x 230 mm**

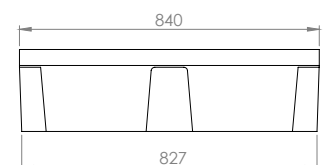
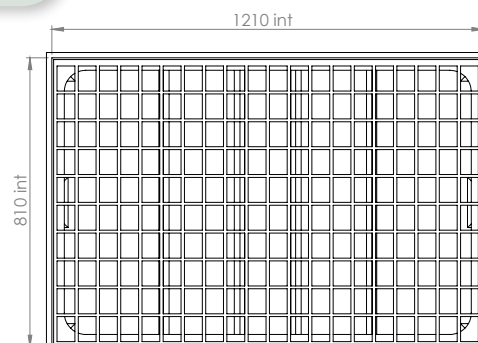
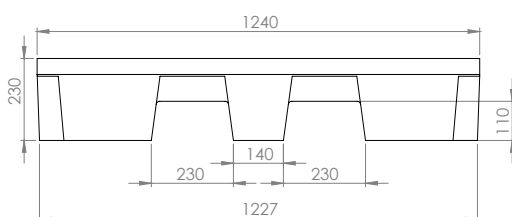
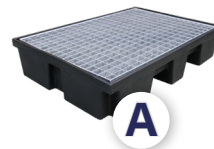
Grid dim. (L x w): **1200 x 800 mm**

Finish: **Black** (TEIN008 - Close to RAL 9017)

Sump capacity: **120 L**

Load capacity: **500 kg**

Number of units per stack : **9**



SPILL PALLET - 70 LITERS **D2**

Available in 2 versions:

A - PP Grid - Ref. BRLP70006F

B - Without Grid - Ref. BRL70006F

100% HDPE with Grid.
Removable Grid in HDPE.
Two-way forklift entry system.
Small height, easy access

Technical Information:

Dimensions (L x w x h): **810 x 640 x 340 mm**

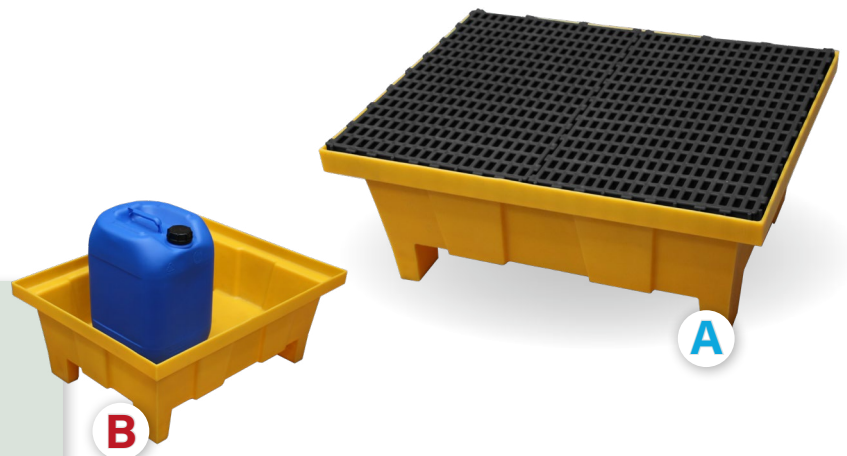
Grid dim. (L x w): **800 x 625 mm**

Finish: **Yellow** (TEIN006 - RAL 1028)

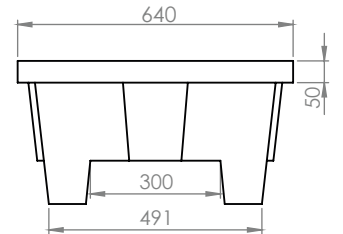
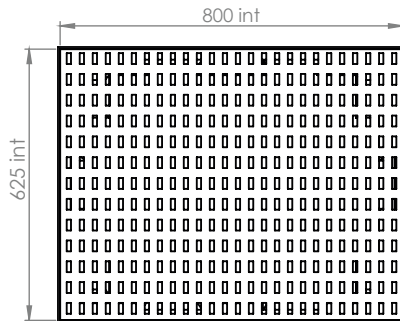
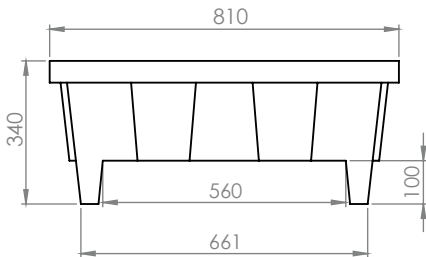
Sump capacity: **70 L**

Load capacity: **100 kg**

Number of units per stack : **12**



DIBt Also available in DIBt version (see p. 16)



SPILL PALLET - 70 LITERS **D2**

Available in 2 versions:

A - PP Grid - Ref. BRLP70/230006F

B - Without Grid - Ref. BRL70/230006F

100% HDPE with Grid.
Removable Grid in HDPE.
Two-way forklift entry system.
Small height, easy access

Technical Information:

Dimensions (L x w x h): **810 x 640 x 230 mm**

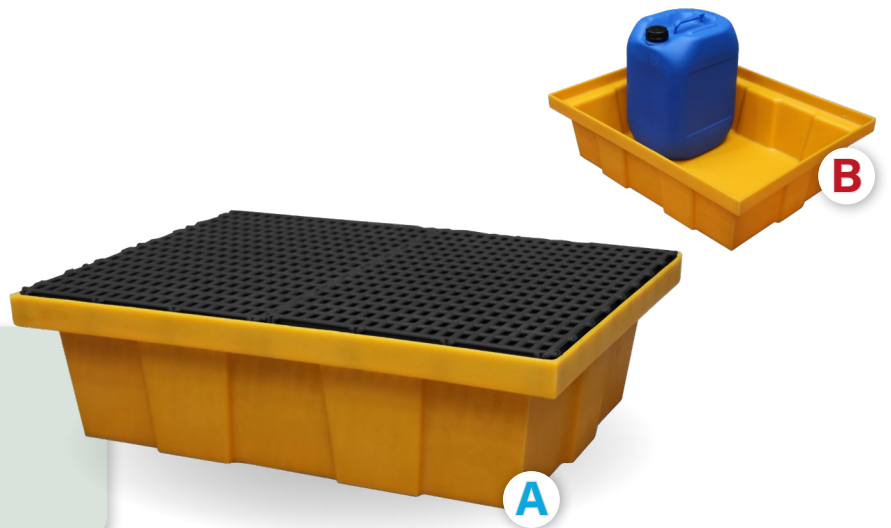
Grid dim. (L x w): **800 x 624 mm**

Finish: **Yellow** (TEIN006 - RAL 1028)

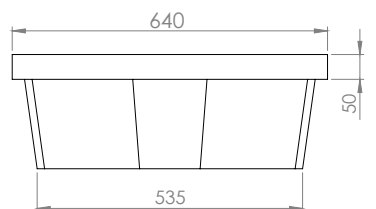
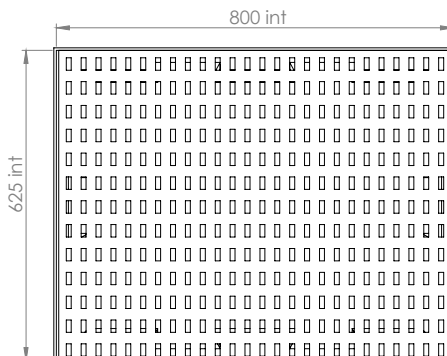
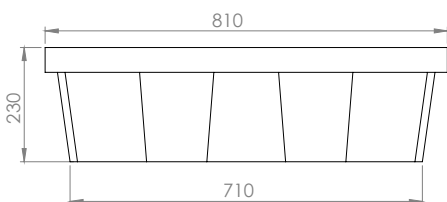
Sump capacity: **70 L**

Load capacity: **100 kg**

Number of units per stack : **12**



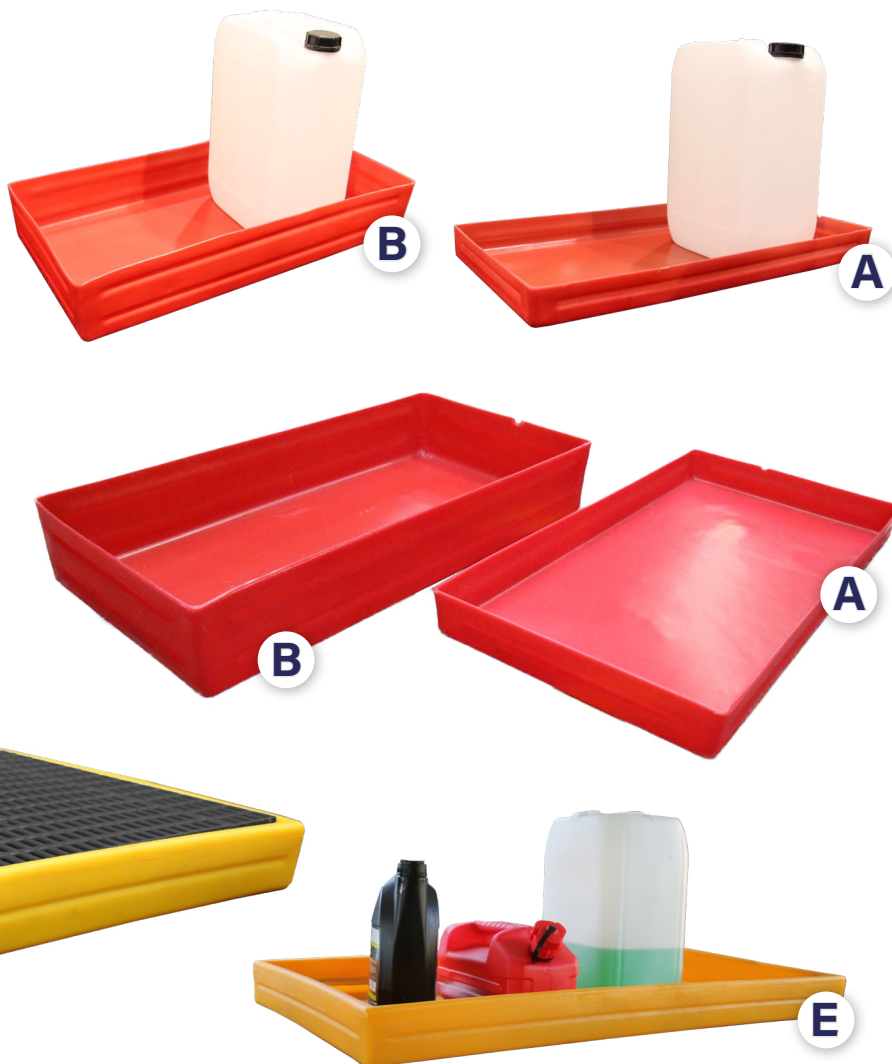
DIBt Also available in DIBt version (see p. 17)



BENCH-TOP SPILL TRAY - 18 TO 55 LITERS

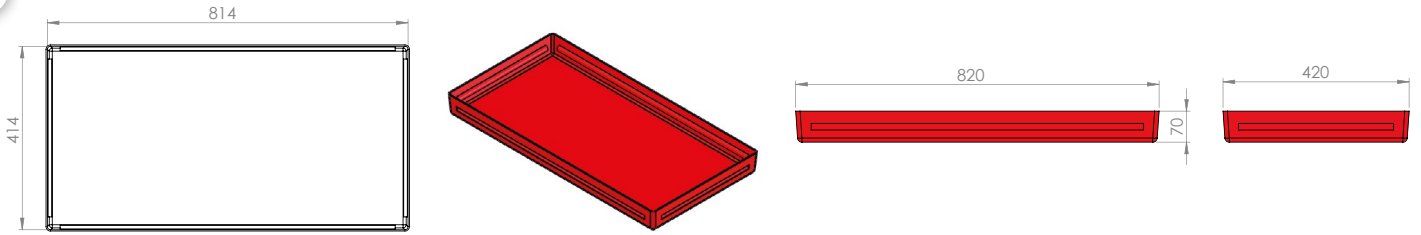
With a flat base, suitable for use on a workbench, shelving, or directly on the floor.

100% HDPE mini spill containment tray with or without Grid.
 Removable PP (polypropylene) Grid.

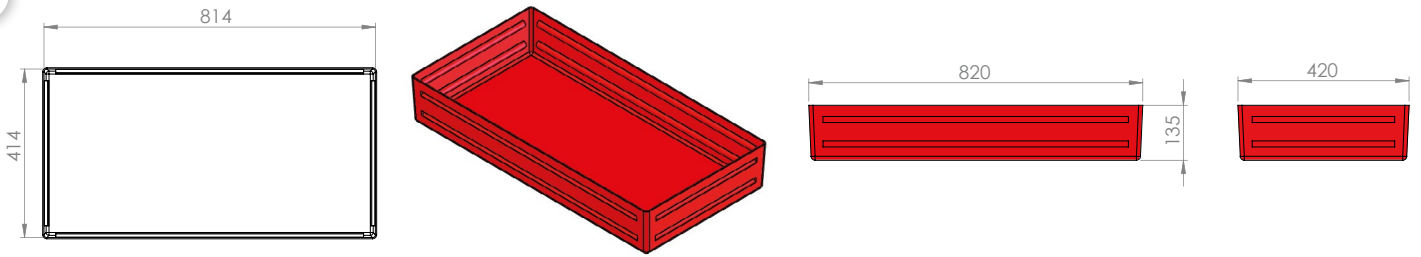


References	Overall dimensions (L x W x H)	Grid dimensions (L x W)	Color	Load capacity (UDL)	Sump capacity
A BACETAGERE22014F	820 x 420 x 70 mm	Without	Red (TEIN014) <i>Close to RAL 3020</i>	35 kg	18 L
B BACETAGERE43014F	820 x 420 x 135 mm	Without	Red (TEIN014) <i>Close to 3020</i>	45 kg	33 L
C BACAPOSER41006F	930 x 600 x 90 mm	Without	Yellow (TEIN006) <i>Close to RAL 1028</i>	55 kg	41 L
D BACAPOSER41C006F	930 x 600 x 90 mm	890 x 560 mm	Yellow (TEIN006) <i>Close to RAL 1028</i>	55 kg	41 L
E BACAPOSER55006F	1240 x 600 x 90 mm	Without	Yellow (TEIN006) <i>Close to RAL 1028</i>	75 kg	55 L
F BACAPOSER55C006F	1240 x 600 x 90 mm	1200 x 560 mm	Yellow (TEIN006) <i>Close to RAL 1028</i>	75 kg	55 L

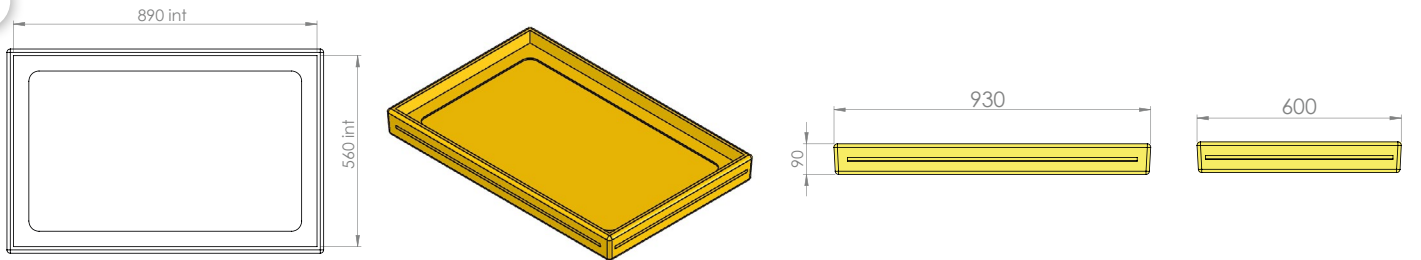
A



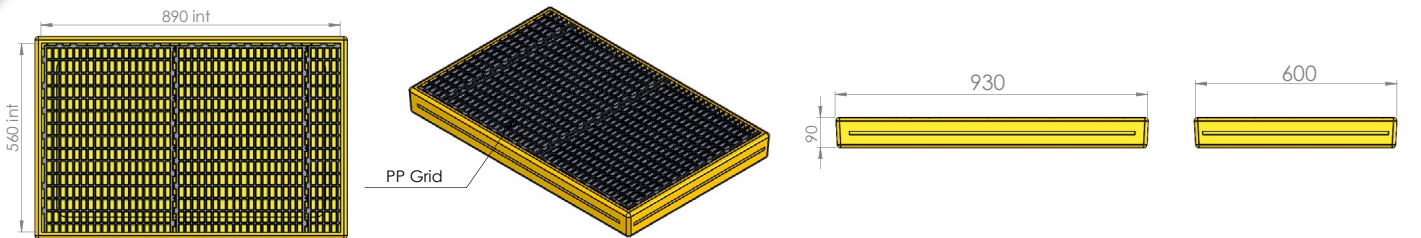
B



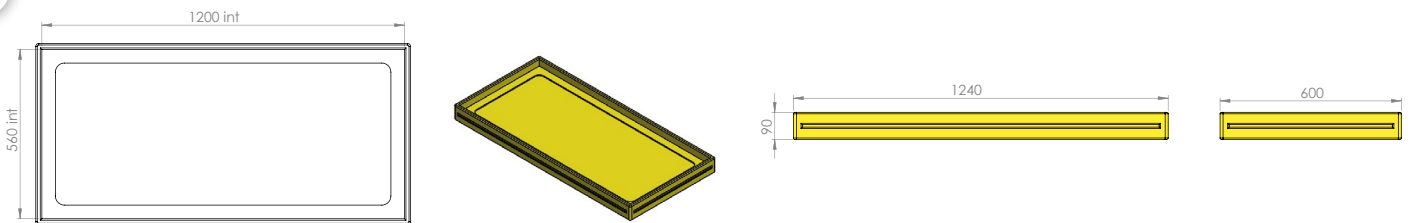
C



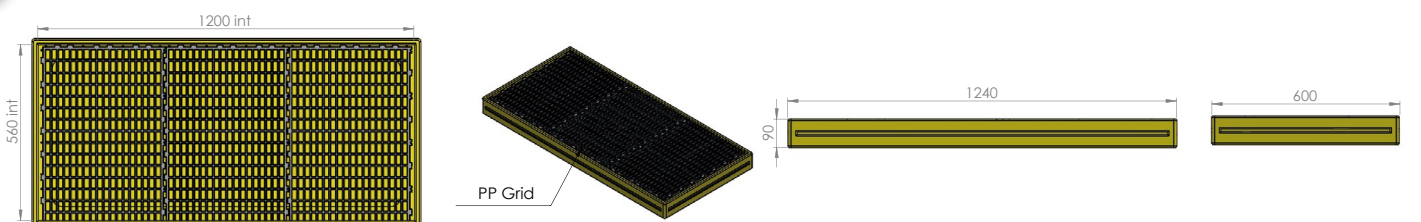
D



E



F



SPILL TRAYS - FROM 5 TO 40 LITERS



High-quality finish suitable for use in environments such as laboratories and education.
Design optimized for easy cleaning. 100% HDPE trays with or without Grid.
Removable PP (polypropylene) Grid with anti-slip surface. InteGridd molded handles (except 5 L and 8 L models).

Finish: **Anise green (MP00012 - Close to Pantone 380 U)** or **silver grey (MP00056 - Close to RAL 7001)**

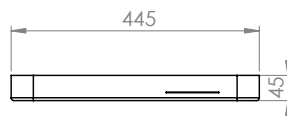
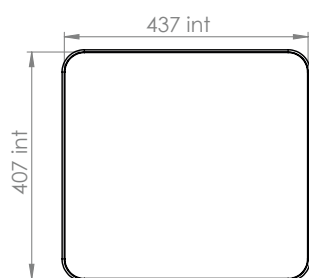
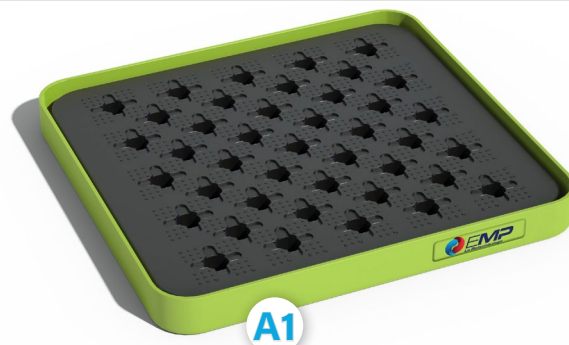
TRAY - 5 LITERS

Available in 4 versions:

- A1 - Anise green - HDPE Grid - Ref. LABR5CNEWMP012F**
- A2 - Silver grey - HDPE Grid - Ref. LABR5CNEWMP056F**
- B1 - Anise green - Without Grid - Ref. LABR5NEWMP012F**
- B2 - Silver grey - Without Grid - Ref. LABR5NEWMP056F**

Technical Information:

Dimensions (L x w x h): **445 x 415 x 45 mm**
Grid dim. (L x w): **424 x 394 mm**
Sump capacity: **5 L**
Load capacity: **10 kg**



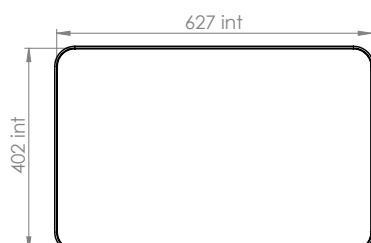
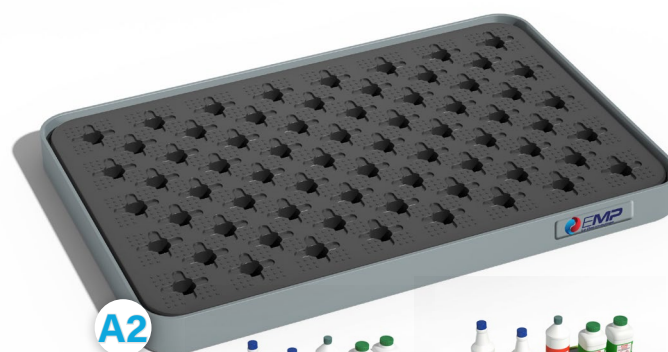
TRAY - 8 LITERS

Available in 4 versions:

- A1 - Anise green - HDPE Grid - Ref. LABR8CNEWMP012F**
- A2 - Silver grey - HDPE Grid - Ref. LABR8CNEWMP056F**
- B1 - Anise green - Without Grid - Ref. LABR8NEWMP012F**
- B2 - Silver grey - Without Grid - Ref. LABR8NEWMP056F**

Technical Information:

Dimensions (L x w x h): **635 x 410 x 50 mm**
Grid dim. (L x w): **622 x 392 mm**
Sump capacity: **8 L**
Load capacity: **36 kg**



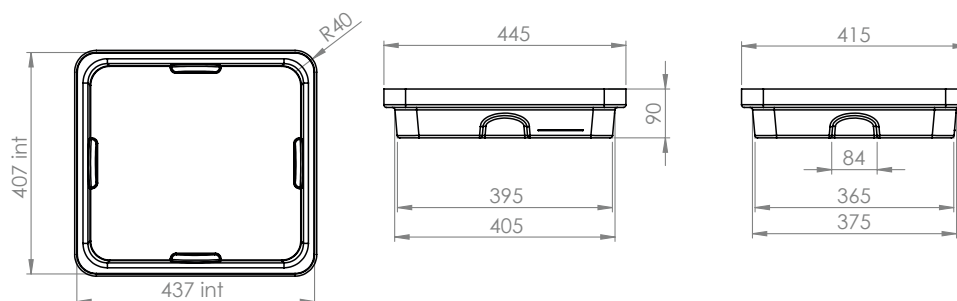
TRAY - 5 LITERS

Available in 4 versions:

- A1 - Anise green - HDPE Grid - Ref. LABR10CNEWMP012F
- A2 - Silver grey - HDPE Grid - Ref. LABR10CNEWMP056F
- B1 - Anise green - Without Grid - Ref. LABR10NEWMP012F
- B2 - Silver grey - Without Grid - Ref. LABR10NEWMP056F

Technical Information:

Dimensions (L x w x h): 445 x 415 x 90 mm
 Grid dim. (L x w): 424 x 394 mm
 Sump capacity: 10 L
 Load capacity: 35 kg



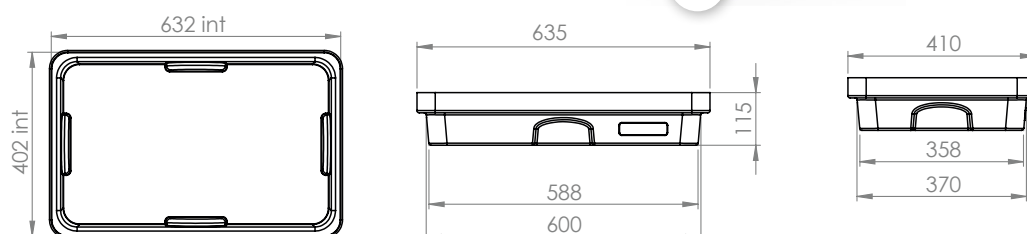
TRAY - 5 LITERS

Available in 4 versions:

- A1 - Anise green - HDPE Grid - Ref. LABR20CNEWMP012F
- A2 - Silver grey - HDPE Grid - Ref. LABR20CNEWMP056F
- B1 - Anise green - Without Grid - Ref. LABR20NEWMP012F
- B2 - Silver grey - Without Grid - Ref. LABR20NEWMP056F

Technical Information:

Dimensions (L x w x h): 635 x 410 x 115 mm
 Grid dim. (L x w): 622 x 392 mm
 Sump capacity: 20 L
 Load capacity: 50 kg



DIBt

Also available in DIBt version (see p. 17)

TRAY - 30 LITERS

Available in 4 versions:

A1 - Anise green - HDPE Grid - Ref. LABR30CNEWMP012F

A2 - Silver grey - HDPE Grid - Ref. LABR30CNEWMP056F

B1 - Anise green - Without Grid - Ref. LABR30NEWMP012F

B2 - Silver grey - Without Grid - Ref. LABR30NEWMP056F

Technical Information:

Dimensions (L x w x h): **635 x 410 x 165 mm**

Grid dim. (L x w): **622 x 392 mm**

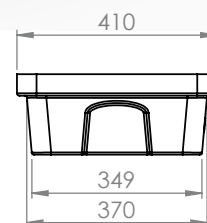
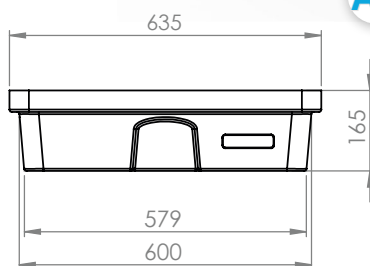
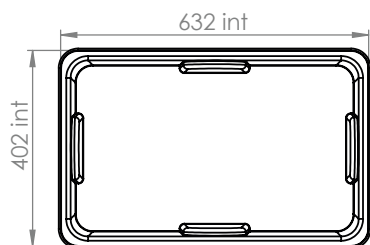
Sump capacity: **30 L**

Load capacity: **60 kg**



DIBt

Also available in DIBt version (see p. 18)



TRAY - 40 LITERS

Available in 4 versions:

A1 - Anise green - HDPE Grid - Ref. LABR40CNEWMP012F

A2 - Silver grey - HDPE Grid - Ref. LABR40CNEWMP056F

B1 - Anise green - Without Grid - Ref. LABR40NEWMP012F

B2 - Silver grey - Without Grid - Ref. LABR40NEWMP056F

Technical Information:

Dimensions (L x w x h): **635 x 410 x 220 mm**

Grid dim. (L x w): **622 x 392 mm**

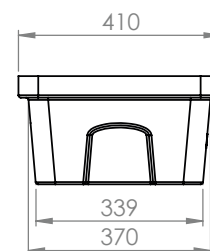
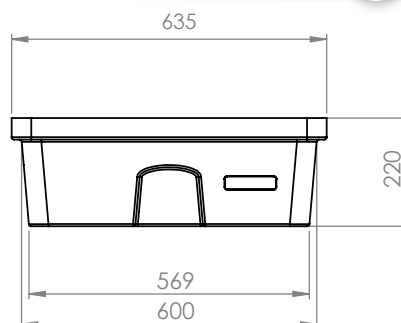
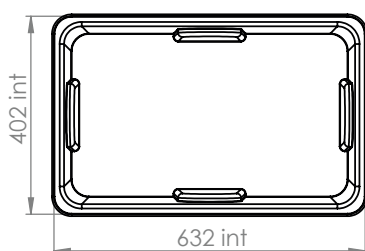
Sump capacity: **40 L**

Load capacity: **100 kg**



DIBt

Also available in DIBt version (see p. 18)



SPILL TRAYS - FROM 60 TO 100 LITERS



High-quality finish suitable for use in environments such as laboratories and education. Design optimized for easy cleaning. 100% HDPE trays with or without Grid. Removable PP (polypropylene) Grid with anti-slip surface. InteGridd molded handles (except 5 L and 8 L models).

Finish: Anise green (MP00012 - Close to Pantone 380 U) or silver grey (MP00056 - Close to RAL 7001)

TRAY - 60 LITERS

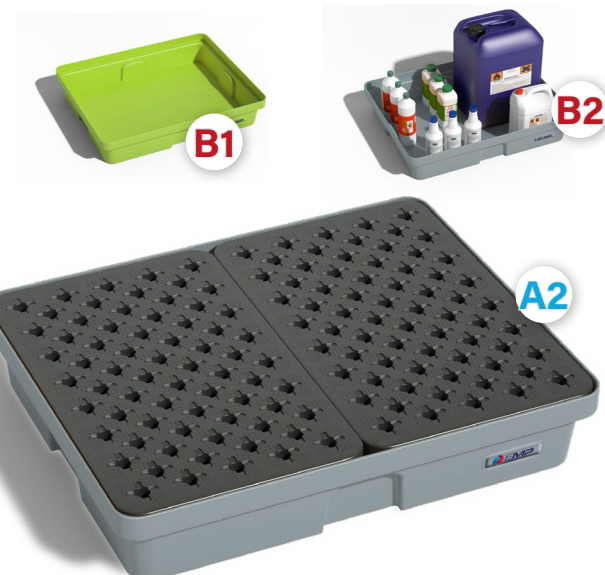
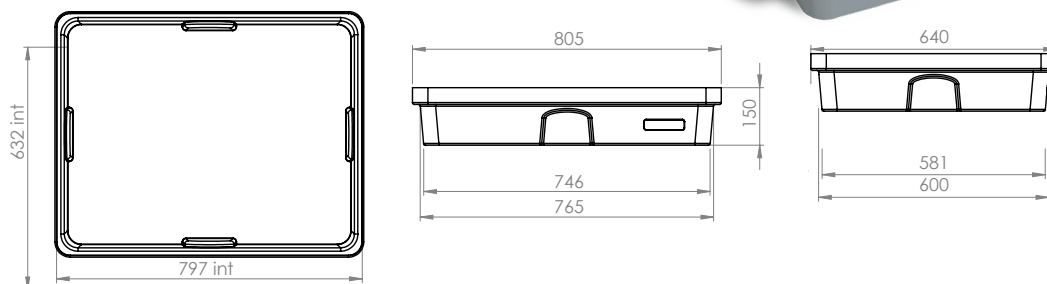
Available in 4 versions:

- A1 - Anise green - HDPE Grid - Ref. LABR60CNEWMP012F
- A2 - Silver grey - HDPE Grid - Ref. LABR60CNEWMP056F
- B1 - Anise green - Without Grid - Ref. LABR60NEWMP012F
- B2 - Silver grey - Without Grid - Ref. LABR60NEWMP056F

Technical Information:

Dimensions (L x w x h): **805 x 640 x 150 mm**
 Grid dim. (L x w): **784 x 622 mm**
 Sump capacity: **60 L**
 Load capacity: **100 kg**

DIBt Also available in DIBt version (see p. 19)



TRAY - 90/100 LITERS

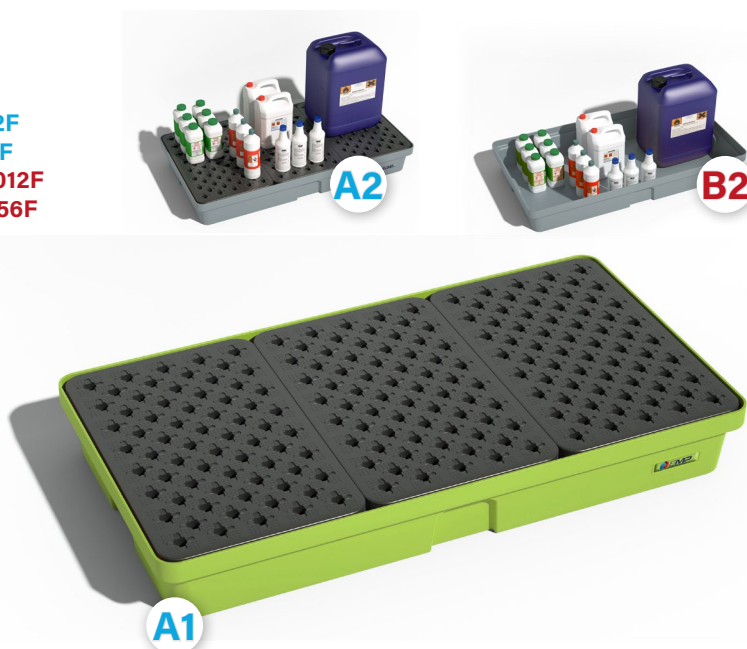
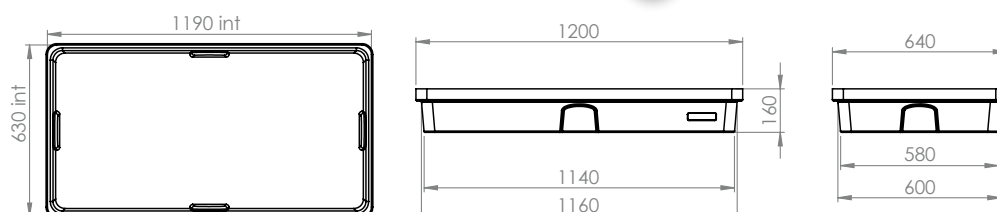
Available in 4 versions:

- A1 - Anise green - HDPE Grid - Ref. LABR90CNEWMP012F
- A2 - Silver grey - HDPE Grid - Ref. LABR90CNEWMP056F
- B1 - Anise green - Without Grid - Ref. LABR100NEWMP012F
- B2 - Silver grey - Without Grid - Ref. LABR100NEWMP056F

Technical Information:

Dimensions (L x w x h): **1200 x 640 x 160 mm**
 Grid dim. (L x w): **1176 x 622 mm**
 Sump capacity With Grid : **90 L**
 Sump capacity Without Grid : **100 L**
 Load capacity: **200 kg**

DIBt Also available in DIBt version (see p. 19)



ECO-DESIGNED" 100% RECYCLED SPILL TRAYS - 10 TO 100 LITERS

100% HDPE trays without Grid, with flat base.
Finish: Black (TEIN008 - Approx. RAL 9017)



SPILL TRAY - 10 LITERS

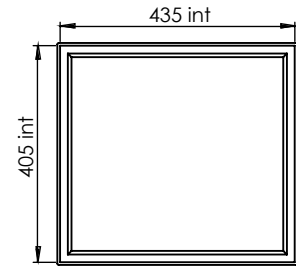
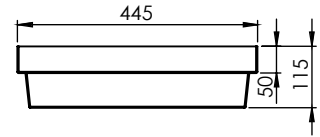
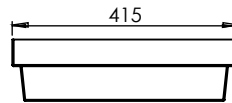
Ref. LABR10008F

Technical Information:

Dimensions (L x w x h): **445 x 415 x 115 mm**

Sump capacity: **10 L**

Load capacity: **35 kg**



SPILL TRAY - 18 LITERS

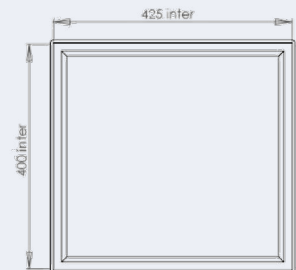
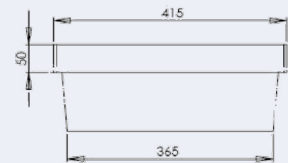
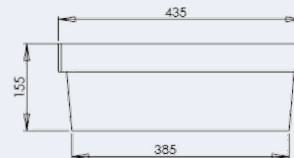
Ref. LABR18008F

Technical Information:

Dimensions (L x w x h): **430 x 410 x 155 mm**

Sump capacity: **18 L**

Load capacity: **50 kg**



SPILL TRAY - 30 LITERS

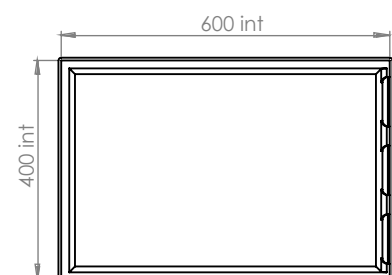
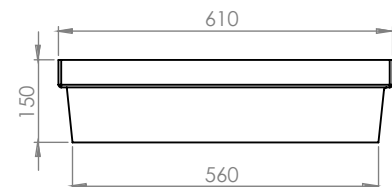
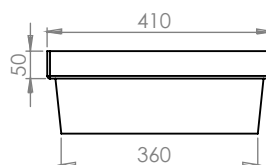
Ref. LABR30008F

Technical Information:

Dimensions (L x w x h): **610 x 410 x 150 mm**

Sump capacity: **30 L**

Load capacity: **60 kg**



SPILL TRAY - 40 LITERS

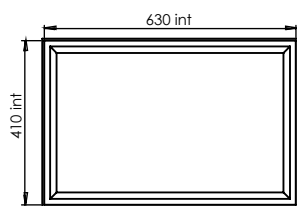
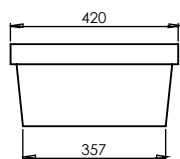
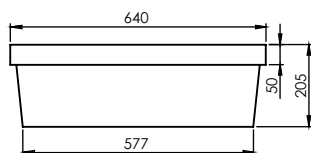
Ref. LABR40008F

Technical Information:

Dimensions (L x w x h): **640x 420 x 205 mm**

Sump capacity: **40 L**

Load capacity: **80 kg**



SPILL TRAY - 60 LITERS

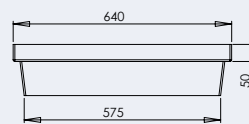
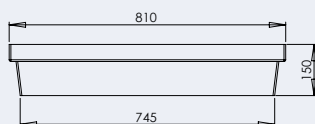
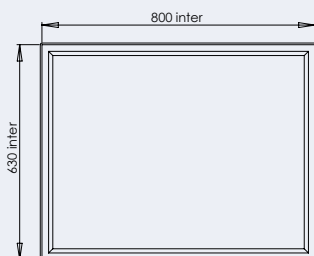
Ref. LABR60008F

Technical Information:

Dimensions (L x w x h): **810 x 640 x 150 mm**

Sump capacity: **60 L**

Load capacity: **100 kg**



SPILL TRAY - 100 LITERS

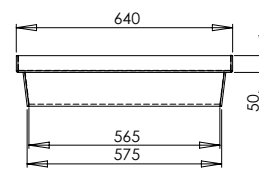
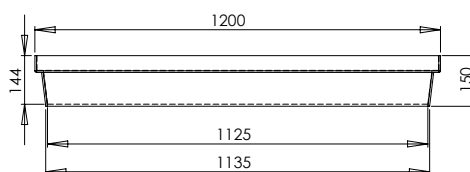
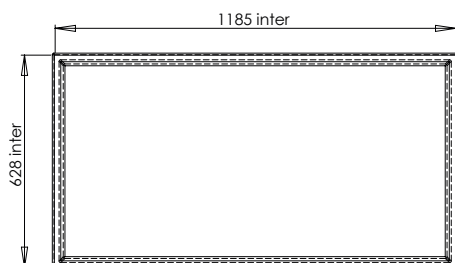
Ref. LABR100008F

Technical Information:

Dimensions (L x w x h): **1200 x 640 x 150 mm**

Sump capacity: **100 L**

Load capacity: **200 kg**



ESSENTIALS



8 sizes (10 to 100 L) available
in 2 colors
to meet all requirements

LABO-RETEN SPILL TRAYS



Removable
grating
for easy
cleaning

Flat base for
perfect
stability of
containers placed
on it

Integrated handles
for easy handling

Tray made from
100% recyclable
material

Delivered in a cardboard box
for optimal product protection

SPILL PLATFORMS



**5-year warranty against
manufacturing defects**



Dimensional and volumetric tolerances
The stated dimensions may vary by $\pm 4\%$.
Color variations may occur.
RAL references are provided for guidance only and are
not contractual.

ULTRA-LOW SPILL CONTAINMENT PLATFORMS - FROM 35 TO 120 LITERS

Easily accessible thanks to their low height.

Can be connected together using stainless steel joining strips. Access ramp available to facilitate handling.

Finish: **Yellow** (TEIN006 - Close to RAL1028)

ULTRA-LOW SPILL DECK - 35 LITERS

PP Grid - Ref. PFLP35006F

100% HDPE with Grid.
Removable Grid in PP.

Technical Information:

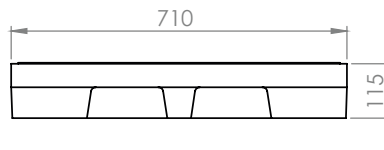
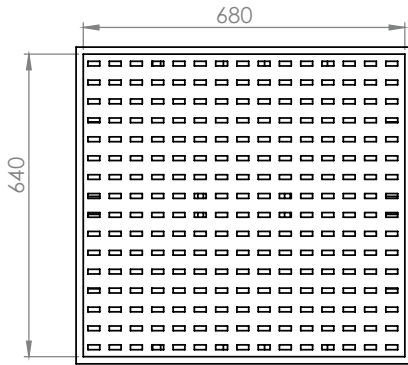
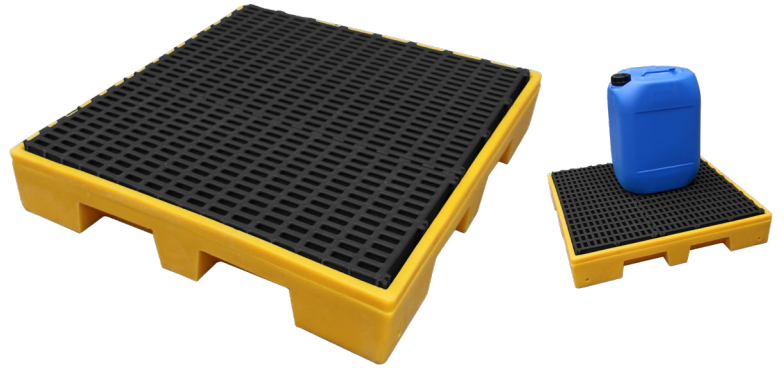
Dimensions (L x w x h): **710 x 660 x 115 mm**

Grid dim. (L x w): **680 x 640 mm**

Sump capacity: **35 L**

Load capacity: **400 kg**

Number of units per stack : **18**



ULTRA-LOW SPILL DECK - 60 LITERS

Available in 2 versions:

A - Galvanized steel Grid - Ref. PFLG60006F

B - PP Grid - Ref. PFLP60006F

100% HDPE with Grid.
Removable Grid in PP.

Technical Information:

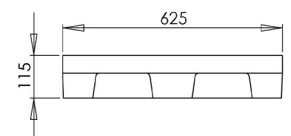
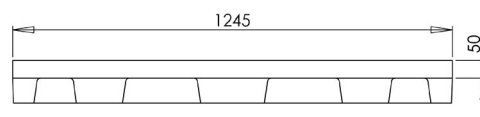
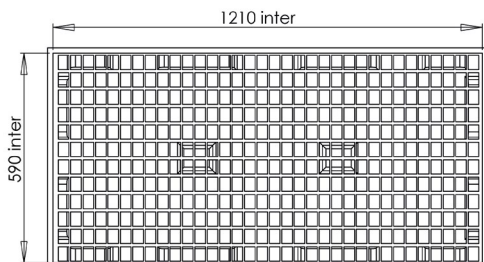
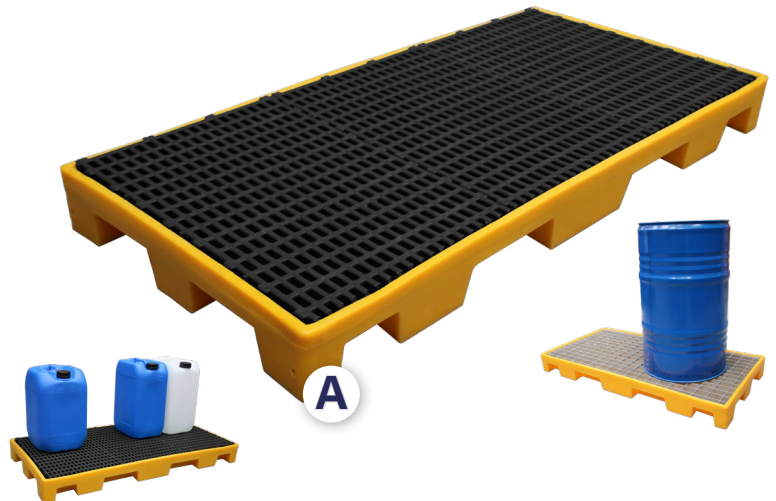
Dimensions (L x w x h): **1245 x 625 x 115 mm**

Grid dim. (L x w): **1210 x 590 mm**

Sump capacity: **60 L**

Load capacity: **600 kg**

Number of units per stack : **18**



ULTRA-LOW SPILL DECK - 120 LITERS

Available in 2 versions:

A - Galvanized steel Grid - Ref. PFCG120/115006FF

B - PP Grid - Ref. PFCP120/115006F

100% HDPE with Grid.
Removable Grid in PP.

Technical Information:

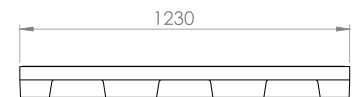
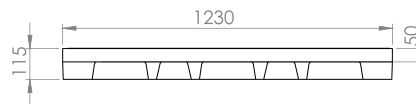
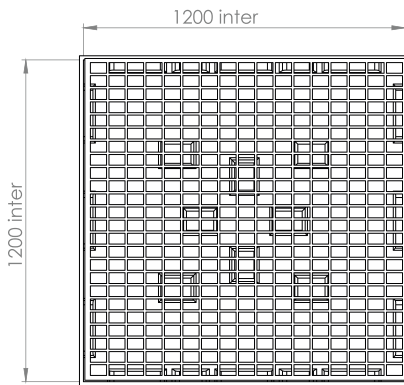
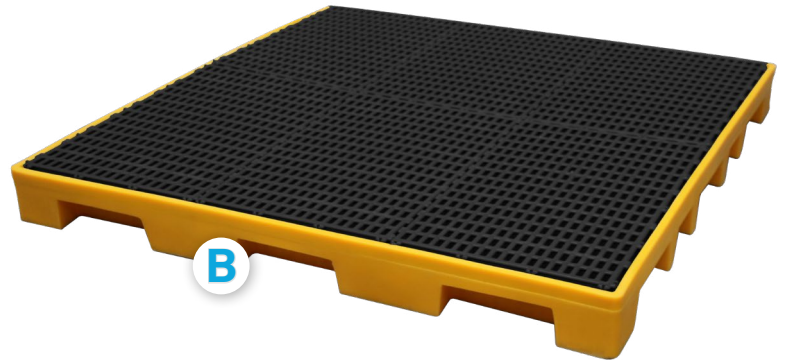
Dimensions (L x w x h): **1230 x 1230 x 115 mm**

Grid dim. (L x w): **1200 x 1200 mm**

Sump capacity: **120 L**

Load capacity: **1000 kg**

Number of units per stack : **18**



OPTIONS

Accessories for ultra-low spill platforms

SPILL DECK RAMP

Ref : RAMPEHT115008F

Enables loading and unloading with wheeled equipment.
100% HDPE.

Technical Information:

Dimensions (L x w x h): **775 x 580 x 115 mm**

Finish: **Black** (TEIN008 - Close to RAL9017)



Stainless steel connectors for linking platforms

Available in 2 versions:

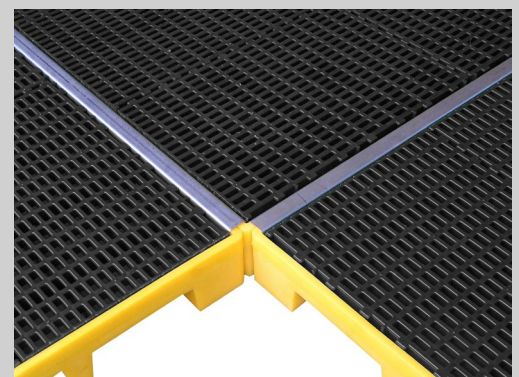
A - Joining strips for 1230 mm and 1245 mm sides -

Ref. CJOINT1195F

B - Joining strips for 625 mm side - Ref. CJOINT585F

Prevent gaps between two units.

Allow platforms of the same height to be connected together.



STANDARD SPILL PLATFORMS - 100% HDPE WITH REMOVABLE PP GRID PLATFORMS RANGING FROM 80 TO 360 LITERS

- Higher containment capacities.
- Can be connected together using stainless steel joining strips.
- Height: 150 mm, compatible with most platforms on the market.
- Greater load resistance.
- Access ramp available to facilitate handling.

SPILL PLATFORM - 80 LITERS

PP Grid - Ref. PFRP80/150006F

Technical Information:

Dimensions (L x w x h): **1220 x 660 x 150 mm**

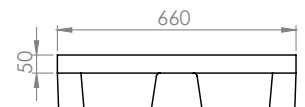
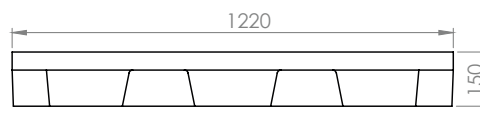
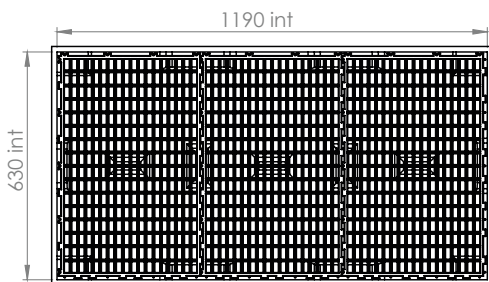
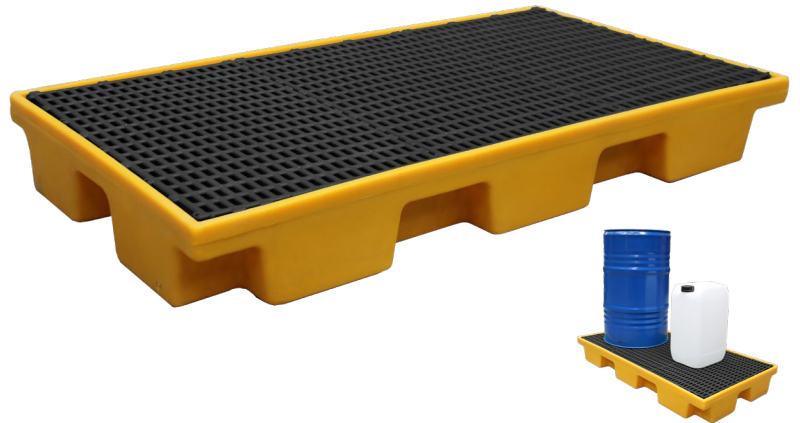
Grid dim. (L x w): **1190 x 630 mm**

Finish: **Yellow** (TEIN006 - RAL 1028)

Sump capacity: **80 L**

Load capacity: **600 kg**

Number of units per stack : **14**



ECO-DESIGNED SPILL PLATFORM - 80 LITERS



PP Grid - Ref. PFRP80/150008F

Technical Information:

Dimensions (L x w x h): **1220 x 660 x 150 mm**

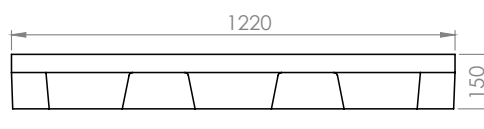
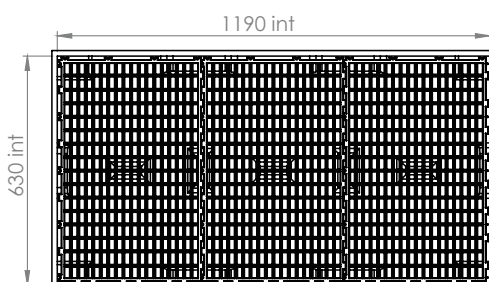
Grid dim. (L x w): **1190 x 630 mm**

Finish: **Black** (TEIN008 - Close to RAL 9017)

Sump capacity: **80 L**

Load capacity: **450 kg**

Number of units per stack : **14**



Available options :
page 60

SPILL PLATFORM - 120 LITERS

PP Grid - Ref. PFRP120/150006F

Allows the use of a standard Euro pallet (1200 × 800 mm)

Technical Information:

Dimensions (L x w x h): **1270 x 825 x 150 mm**

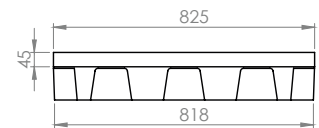
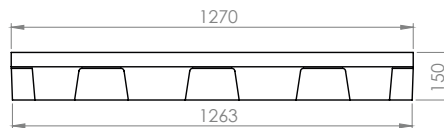
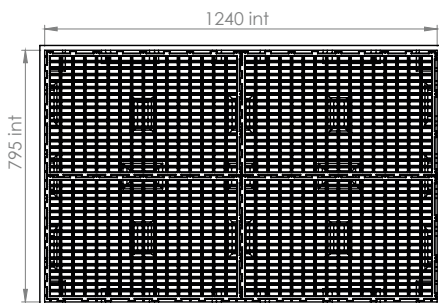
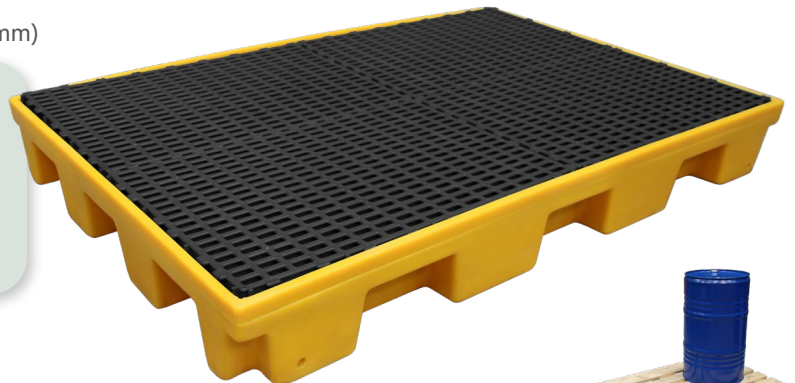
Grid dim. (L x w): **2600 x 1200 mm**

Finish: **Yellow** (TEIN006 - RAL 1028)

Sump capacity: **120 L**

Load capacity: **1100 kg**

Number of units per stack : **14**



ECO-DESIGNED SPILL PLATFORM - 120 LITERS



PP Grid - Ref. PFRP120/150008F

Allows the use of a standard Euro pallet (1200 × 800 mm)

Technical Information:

Dimensions (L x w x h): **1270 x 825 x 150 mm**

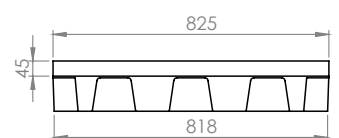
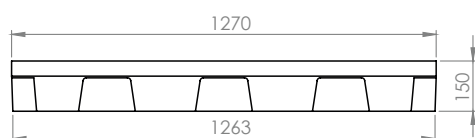
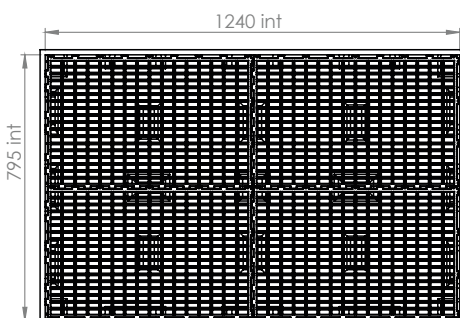
Grid dim. (L x w): **1240 x 795 mm**

Finish: **Black** (TEIN008 - Close to RAL 9017)

Sump capacity: **120 L**

Load capacity: **900 kg**

Number of units per stack : **14**



SPILL PLATFORM - 180 LITERS

A - PP Grid - Ref. PFRP180/150006F

Allows the use of a standard Euro pallet (1200 × 800 mm)

Technical Information:

Dimensions (L x w x h): **1280 x 1230 x 150 mm**

Grid dim. (L x w): **1250 x 1200 mm**

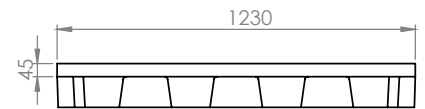
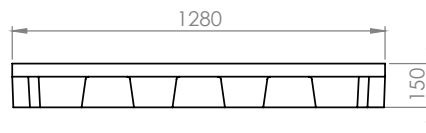
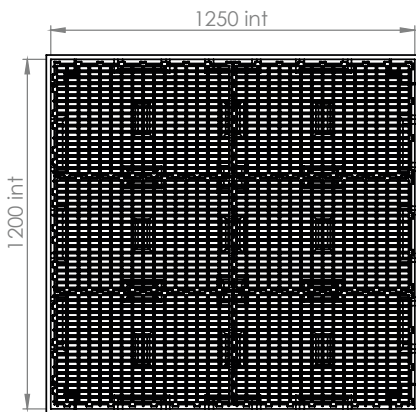
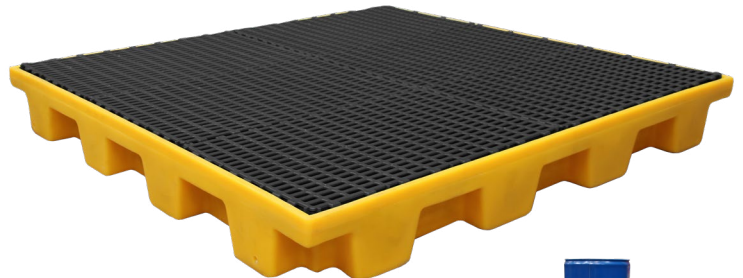
Finish: **Yellow** (TEIN006 - RAL 1028)

Sump capacity: **180 L**

Load capacity: **1000 kg**

Number of units per stack : **14**

150 mm height, fits most platforms on the market



ECO-DESIGNED SPILL PLATFORM - 120 LITERS

A - PP Grid - Ref. PFRP180/150008F



Allows the use of a standard Euro pallet (1200 × 800 mm)

Technical Information:

Dimensions (L x w x h): **1280 x 1230 x 150 mm**

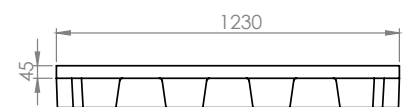
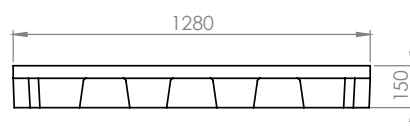
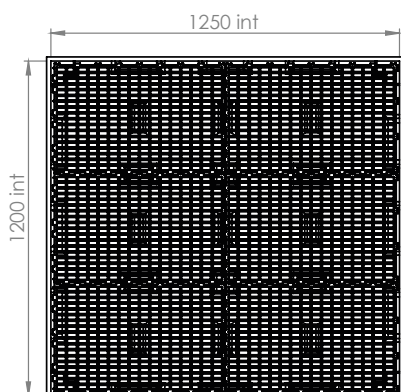
Grid dim. (L x w): **1250 x 1200 mm**

Finish: **Black** (TEIN008 - Close to RAL 9017)

Sump capacity: **180 L**

Load capacity: **850 kg**

Number of units per stack : **14**



Available options:
page 60

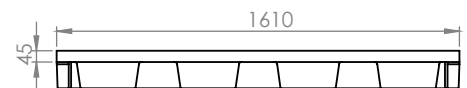
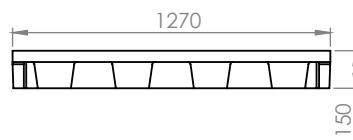
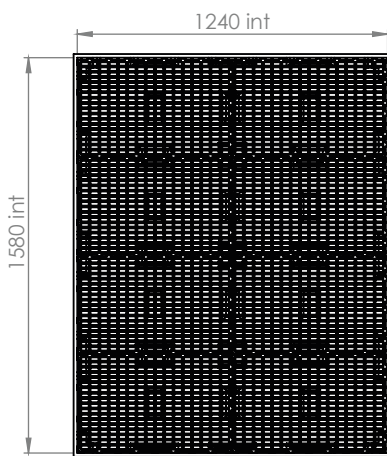
SPILL PLATFORM - 240 LITERS

A - PP Grid - Ref. PFRP240/150006F

Allows the use of a standard Euro pallet (1200 x 800 mm)

Technical Information:

Dimensions (L x w x h): **1610 x 1270 x 150 mm**
 Grid dim. (L x w): **1580 x 1240 mm**
 Finish: **Yellow** (TEIN006 - RAL 1028)
 Sump capacity: **240 L**
 Load capacity: **2000 kg**
 Number of units per stack : **14**



ECO-DESIGNED SPILL PLATFORM - 240 LITERS

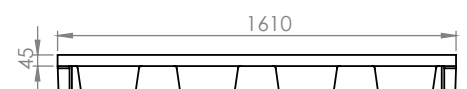
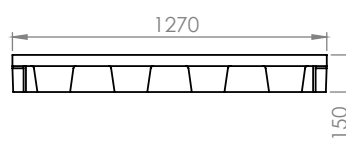
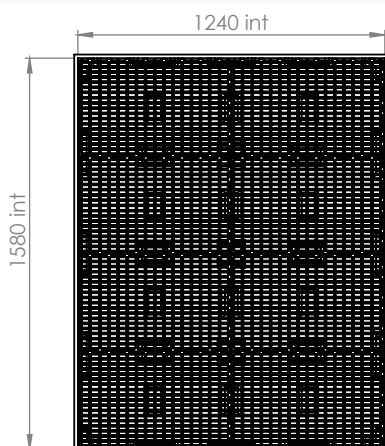
A - PP Grid - Ref. PFRP240/150008F



Allows the use of a standard Euro pallet (1200 x 800 mm)

Technical Information:

Dimensions (L x w x h): **1610 x 1270 x 150 mm**
 Grid dim. (L x w): **1580 x 1240 mm**
 Finish: **Black** (TEIN008 - Close to RAL 9017)
 Sump capacity: **240 L**
 Load capacity: **1800 kg**
 Number of units per stack : **14**



SPILL PLATFORM - 360 LITERS

A - PP Grid - Ref. PFRP360/150006F

- Higher containment capacity.
- Greater load capacity.
- Can be connected together using stainless steel joining strips.
- Access ramp available to facilitate handling.
- 100% HDPE platform with Grid.
- Removable PP (polypropylene) Grid.
- Allows the use of two Euro pallets (1200 x 1200 mm).

Technical Information:

Dimensions (L x w x h): **2560 x 1230 x 150 mm**

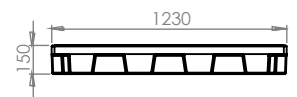
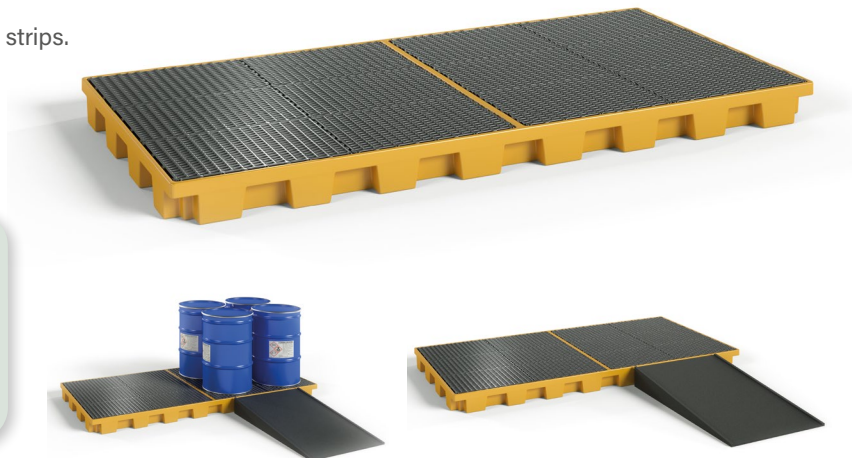
Grid dim. (L x w): **2500 x 1200 mm**

Finish: **Yellow** (TEIN006 - RAL 1028)

Sump capacity: **360 L**

Load capacity: **2000 kg**

Number of units per stack : **14**



OPTIONS

Accessories for standard spill platforms

Platform access ramp

Ref : RAMPEHT150008F

- Allows access to platforms for wheeled equipment.
- 100% HDPE.

Technical Information:

Dimensions (L x w x h): **1200 x 800 x 150 mm**

Finish: **Black** (TEIN008 - Close to RAL9017)



Stainless steel connectors for platforms

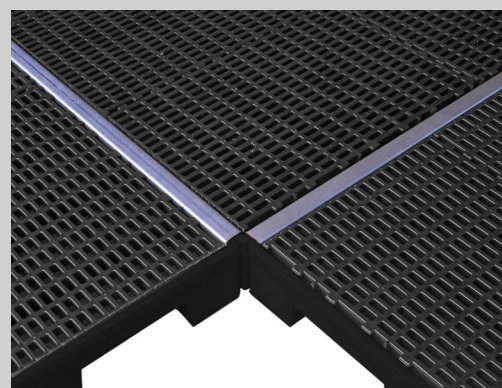
Available in 3 versions:

A - Joining strips for 660 mm side - Ref. CJOINT585F

B - Joining strips for 1220, 1230, 1270, and 1280 mm sides - Ref. CJOINT1195F

C - Joining strips for 1610 mm side - Ref. CJOINT1535F

- Prevent separation between units and enable connection between platforms with the same height.



SHELF & RACKING SPILL TRAYS



**5-year warranty against
manufacturing defects**



PRODUCT BENEFITS

- Corrosion-resistant
- Removable Grid for easy cleaning
- Resistant to most corrosive liquids
- Helps prevent any risk of pollution



Dimensional and volumetric tolerances
The stated dimensions may vary by $\pm 4\%$.
Color variations may occur.

RAL references are provided for guidance only and are
not contractual.

SPILL TRAY - 41 LITERS (US), LITRES (UK) For shelving units - 1000 mm width

Available in 2 versions:

A - HDPE Grid - Ref. BACAPOSER41C006F

B - Without Grid - Ref. BACAPOSER41006F

With a flat bottom, could be use on a workbench, on a shelving or directly on the ground.
100% HDPE with Grid.
Removable Grid in PP.

Technical Information:

Dimensions (L x w x h): **930 x 600 x 90 mm**

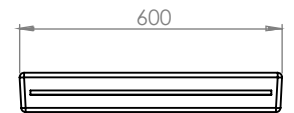
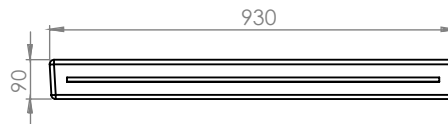
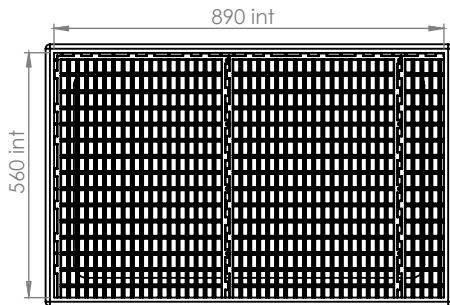
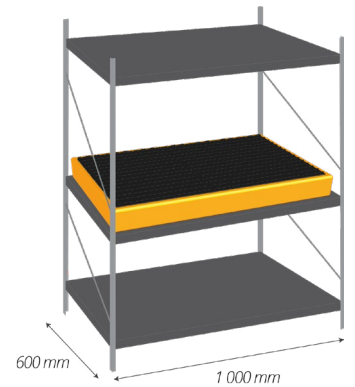
Grid dim. (L x w): **890 x 560 mm**

Finish: **Yellow** (TEIN006 - RAL 1028)

Sump capacity: **41 L**

Load capacity: **55 kg**

Perfectly fits a shelving level with a width of 1000 mm and a depth of 600 mm.



SPILL TRAY - 55 LITERS For shelving units - 1250 mm width

Available in 2 versions:

A - HDPE Grid - Ref. BACAPOSER55C006F

B - Without Grid - Ref. BACAPOSER55006F

With a flat bottom, could be use on a workbench, on a shelving or directly on the ground.
100% HDPE with Grid.
Removable Grid in PP.

Technical Information:

Dimensions (L x w x h): **1240 x 600 x 90 mm**

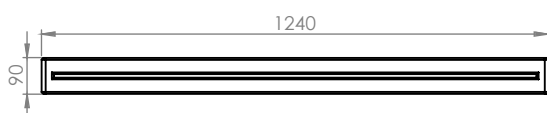
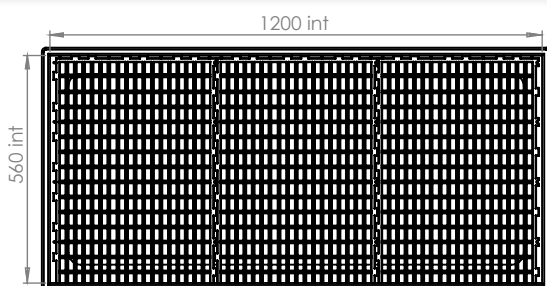
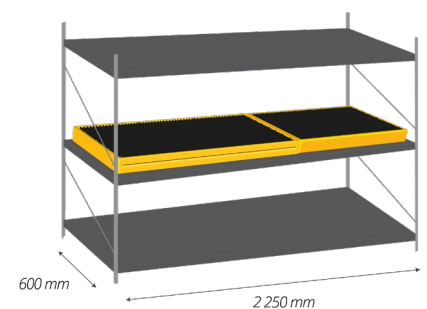
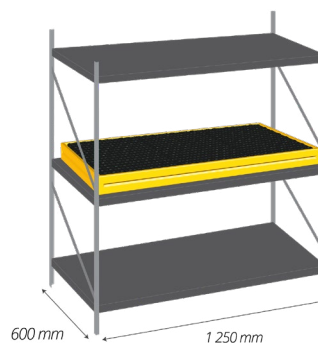
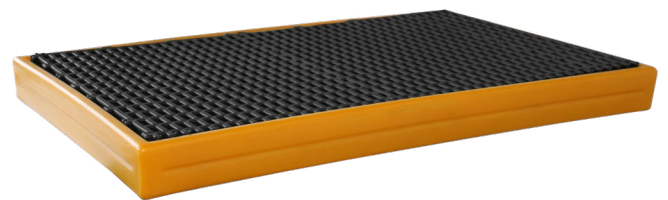
Grid dim. (L x w): **1200 x 560 mm**

Finish: **Yellow** (TEIN006 - RAL 1028)

Sump capacity: **55 L**

Load capacity: **55 kg**

Perfectly fits a shelving level with a width of 1250 mm and a depth of 600 mm.
For use in medium-duty shelving with a width of 2.25 m, use a combination of one 930 mm tray and one 1240 mm tray.



NEW
2026

Light-duty shelving with 4 levels, fitted with 4 spill trays

Available in 2 configurations:

A - Shelving unit – dimensions 1000 × 600 × 2000 mm (W × D × H)
Equipped with 4 spill containment trays of 41 liters, without Grid.
Load capacity per level: 182 kg - **Ref. KITRAYONNAGE1000**

B - Shelving unit – dimensions 1290 × 600 × 2000 mm (W × D × H)
Equipped with 4 spill containment trays of 55 liters, without Grid.
Load capacity per level: 130 kg - **Ref. KITRAYONNAGE1290**

Flat-bottom spill containment trays (see tray details on page 58) rest on tubular shelves.

They are secured by two fastening clips (see photo).

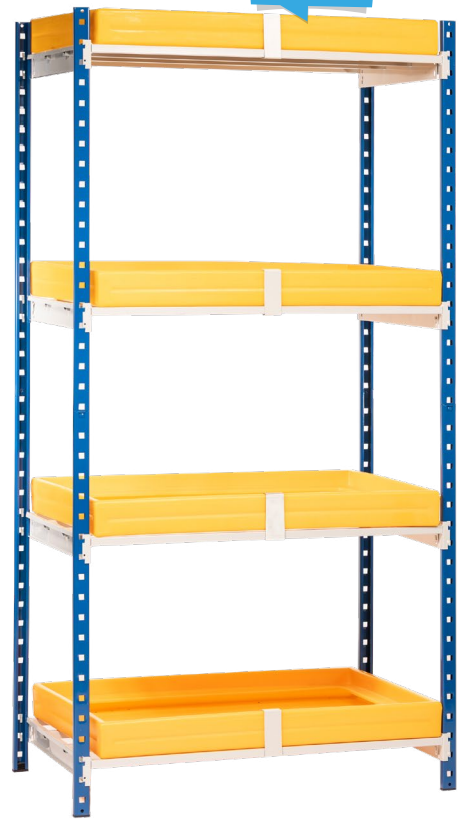
The trays are without Grid.

Technical Information:

Shelving units with a width of **1000 or 1290 mm**.
Equipped with 4 tubular shelves, adjustable in height in **50 mm increments**.

Finish: **blue uprights and grey shelves**.

Supplied flat-packed.



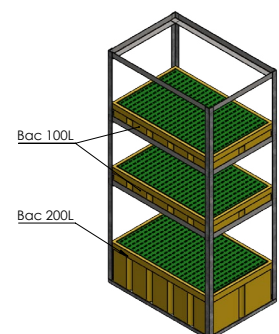
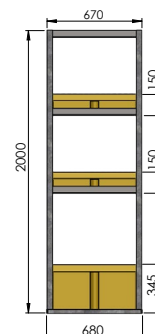
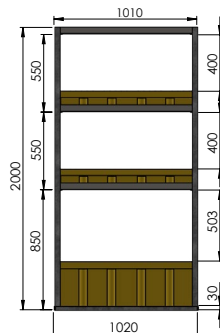
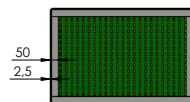
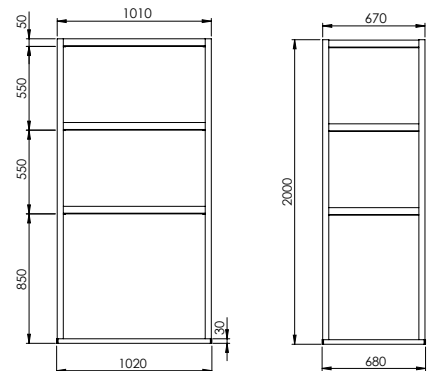
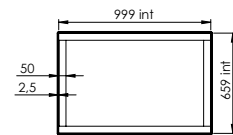
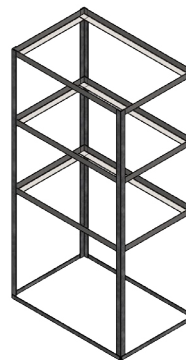
GALVANISED STEEL RACKING

Ref : **ETAGERERAYF**

In galvanised steel.
Can accommodate 100 L and 200 L platforms on 3 levels (page 23).

Technical Information:

Dimensions (L x w x h): **1010 x 670 x 2000 mm**
Platforms non-included.



IBC SPILL PALLET - 1050 LITERS

Available in 3 versions:

A - Galvanized steel Grid - Ref. BACRG1050/2180006F

B - HDPE Grid - Ref. BACRP1050/2180006F

C - Without Grid - Ref. BACR1050/2180006F

100% HDPE with removable Grid in galvanised steel.

Two-way forklift entry system.

Dimensions adapted to racks depths (beam length 2250 mm).

Technical Information:

Dimensions (L x w x h): **2180 x 1300 x 575 mm**

Grid dim. (L x w): **2100 x 1200 mm**

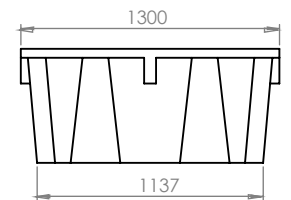
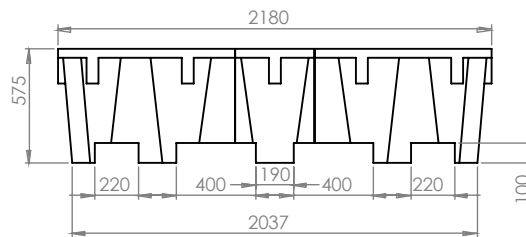
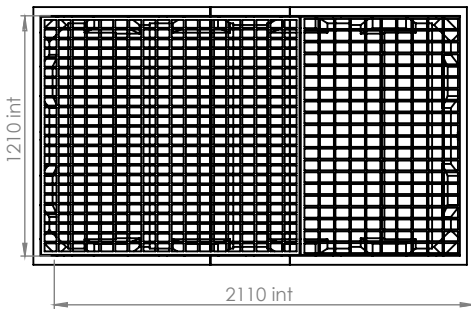
Finish: **Yellow** (TEIN006 - RAL 1028)

Sump capacity: **1050 L**

Load capacity: **2500 kg**



For 2225 mm beam length



IBC SPILL PALLET - 1330 LITERS

Available in 3 versions:

A - Galvanized steel Grid - Ref. BACRG1330/2680006F

B - HDPE Grid - Ref. BACRP1330/2680006F

C - Without Grid - Ref. BACR1330/2680006F

100% HDPE with removable Grid in galvanised steel.

Two-way forklift entry system.

Dimensions adapted to racks depths (beam length 2700 mm).

Technical Information:

Dimensions (L x w x h): **2680 x 1300 x 575 mm**

Grid dim. (L x w): **2600 x 1200 mm**

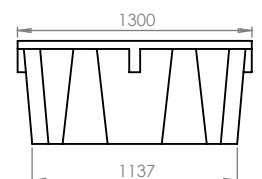
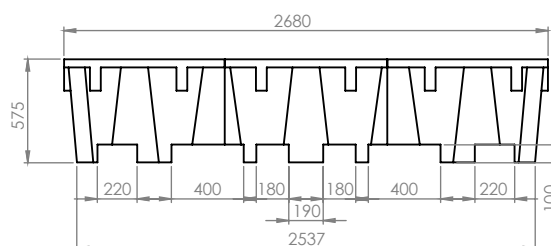
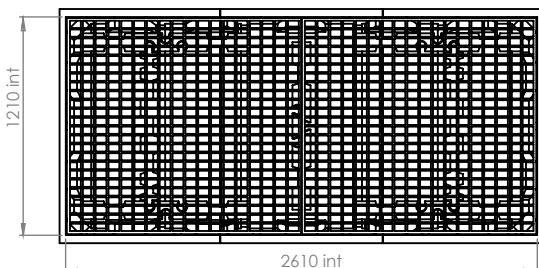
Finish: **Yellow** (TEIN006 - RAL 1028)

Sump capacity: **1330 L**

Load capacity: **4600 kg**



For 2700 mm beam length



IBC SPILL PALLET - 1330 LITERS

Available in 3 versions:

A - Galvanized steel Grid - Ref. BACRG1650/3280006F

B - HDPE Grid - Ref. BACRP1650/3280006F

C - Without Grid - Ref. BACR1650/3280006F

100% HDPE with removable Grid in galvanised steel.

Two-way forklift entry system.

Dimensions adapted to racks depths (beam length 3300 mm).

Technical Information:

Dimensions (L x w x h): **3280 x 1300 x 575 mm**

Grid dim. (L x w): **3200 x 1200 mm**

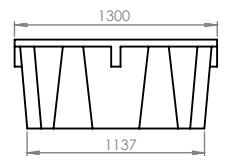
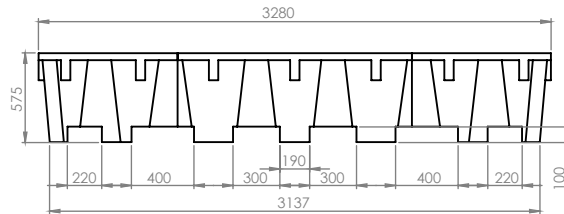
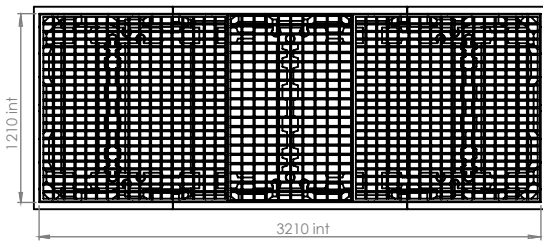
Finish: **Yellow** (TEIN006 - RAL 1028)

Sump capacity: **1650 L**

Load capacity: **1650 kg**



For 3300 mm beam length



BEAM-SUPPORTED SPILL TRAY - 260 LITERS

Ref. BRC260LISSE006F

100% HDPE spill containment pallet without Grid.

Designed to be placed on pallet rack beams.

Provides containment for each pallet.

Width adapted to shelving depths up to 1200 mm.

Suitable for 1200 x 800 mm or 1200 x 1000 mm pallets.

The pallet must rest on the beams to ensure proper load support.

Technical Information:

Dimensions (L x w x h): **1300 x 1310 x 320 mm**

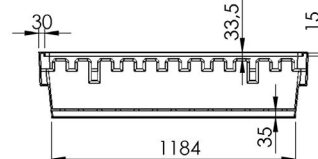
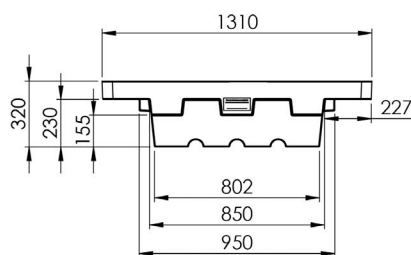
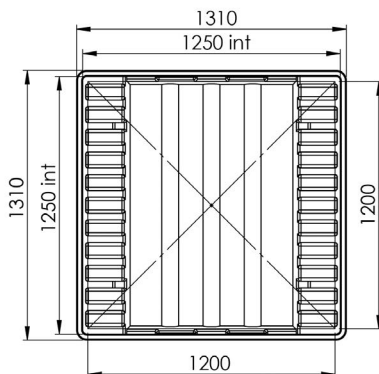
Dim. Emplacement palette (L x l) : **1250 x 1200 mm**

Finish: **Yellow** (TEIN006 - RAL 1028)

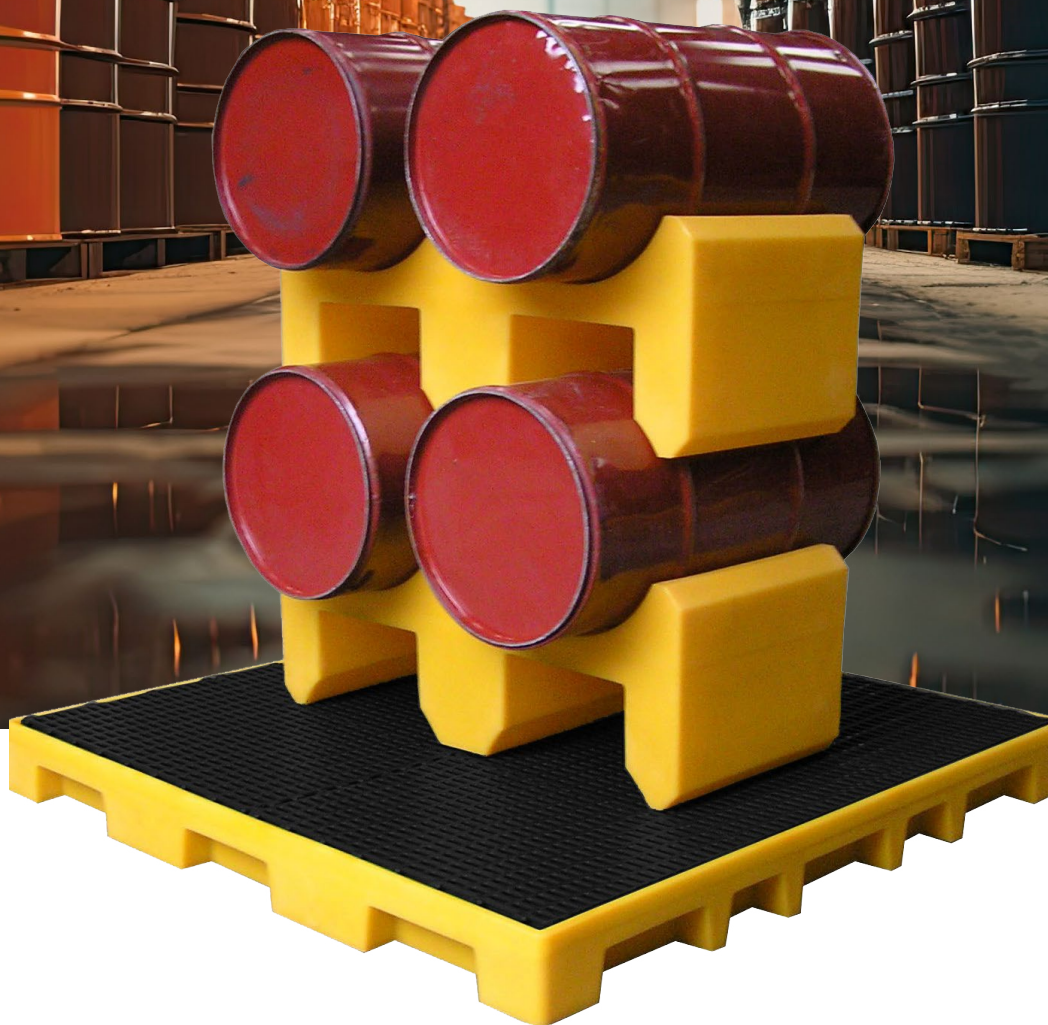
Sump capacity: **260 L**

Load capacity: **600 kg**

NEW 2026



SUPPORTS & ACCESSORIES



5-year warranty against manufacturing defects



PRODUCT BENEFITS

- Secures dispensing operations
- Corrosion-resistant
- Resistant to most corrosive liquids
- Compatible with all spill containment pallets on the market



Dimensional and volumetric tolerances
The stated dimensions may vary by $\pm 4\%$.
Color variations may occur.
RAL references are provided for guidance only and are not contractual.

DRUM STAND 60/220 LITERS REVERSIBLE

Available in 2 versions:

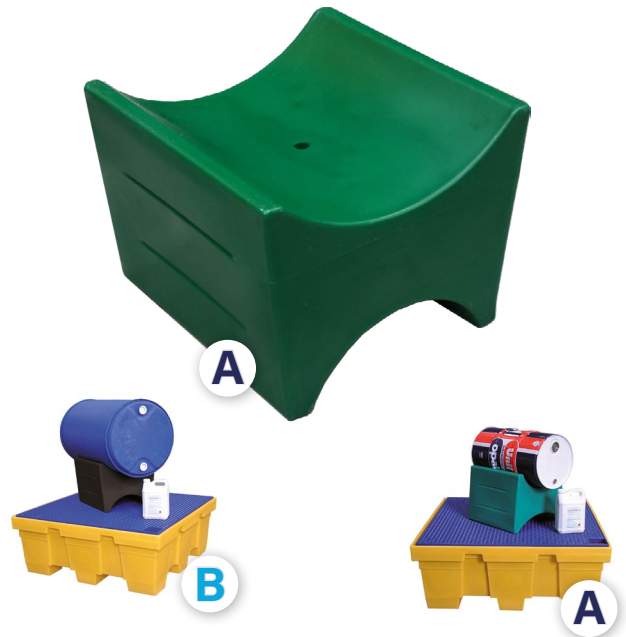
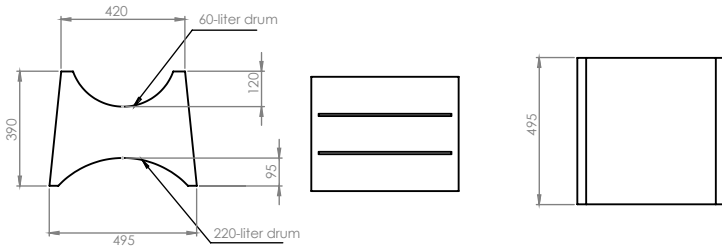
A - Mint green (TEIN012 - Close to RAL 6029) - Ref. SF60/220012F

B - Black (TEIN008 - Close to RAL 9017) - Ref. SF60/220008F

Allows the positioning of a 60 L drum as well as a 220 L drum.

Technical Information:

Dimensions (L x w x h): **495 x 495 x 390 mm**



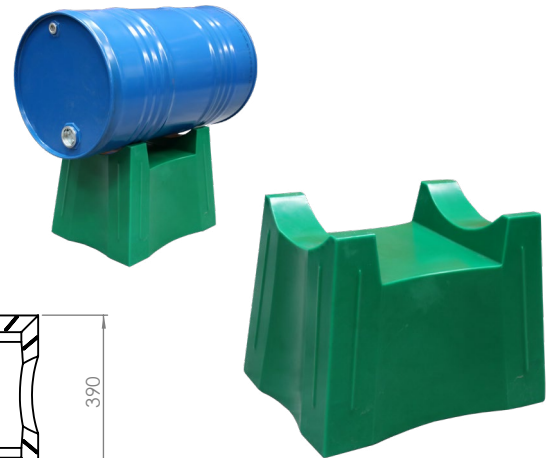
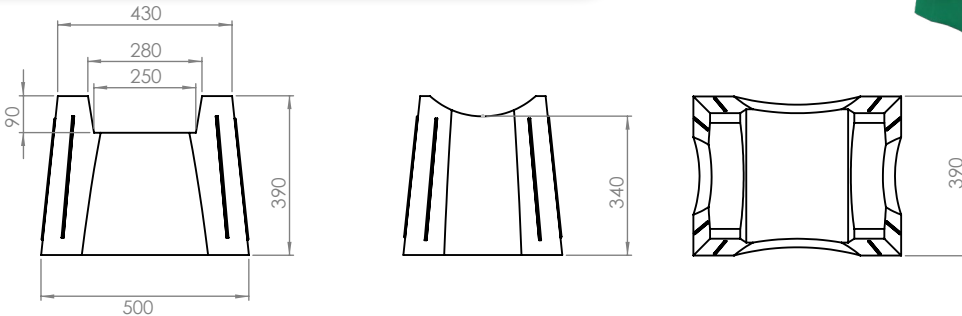
DRUM STAND 60 LITERS REMOVABLE

Mint green (TEIN012 - Close to RAL 6029) - Ref. SFA1/60012F

Allows the positioning of a 60 L drum.

Technical Information:

Dimensions (L x w x h): **500 x 390 x 390 mm**



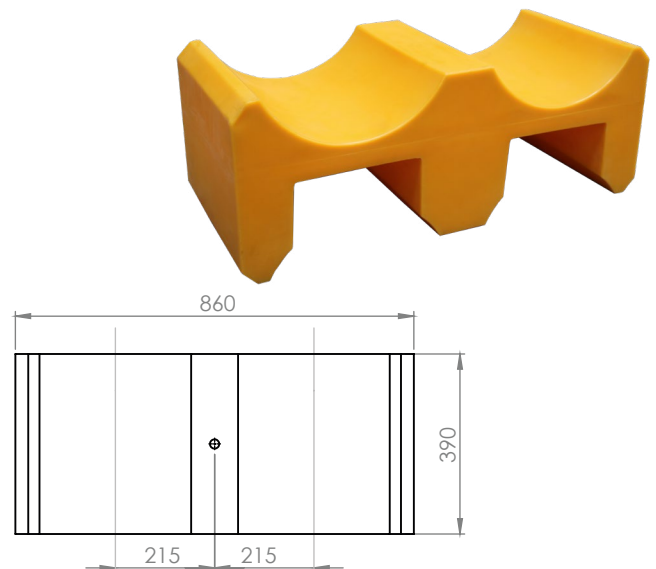
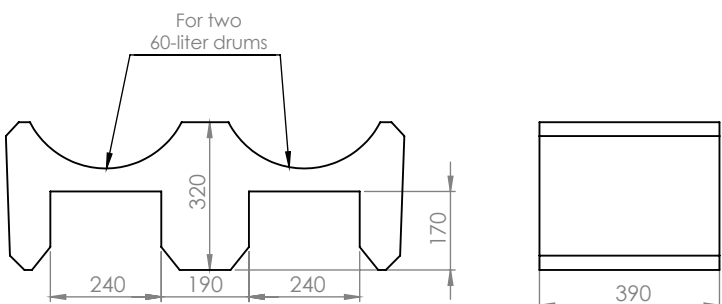
DRUM STAND 60 LITERS STACKABLE

Yellow (TEIN006 - RAL 1028) - Ref. SFG2/60006F

Allows the positioning of 2x60 L drums.

Technical Information:

Dimensions (L x w x h): **860 x 390 x 390 mm**



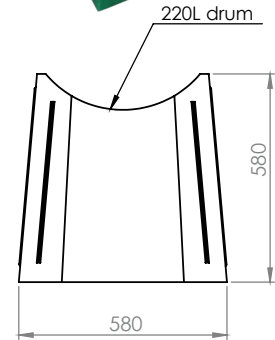
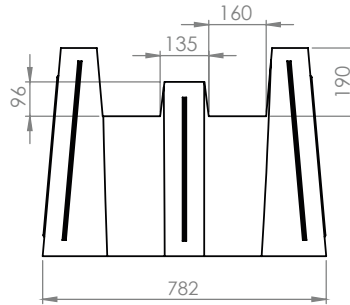
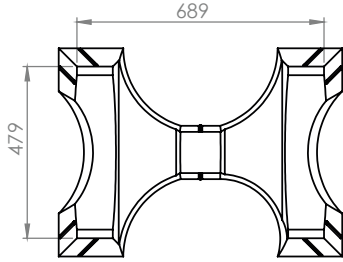
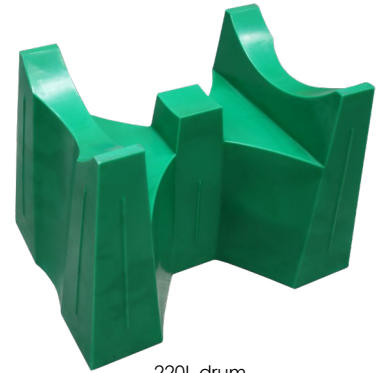
DRUM STAND 60 LITERS REMOVABLE

Mint green (TEIN012 - Close to RAL 6029) - Ref. SFA1/220012F

Allows the positioning of a 220 L drum.

Technical Information:

Dimensions (L x w x h): **782 x 580 x 580 mm**



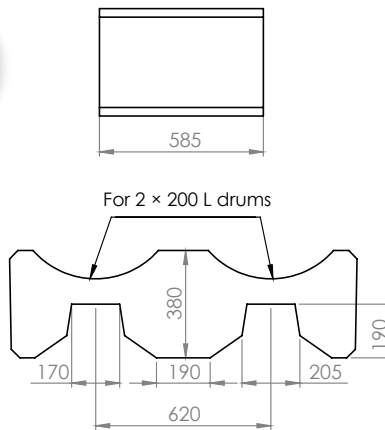
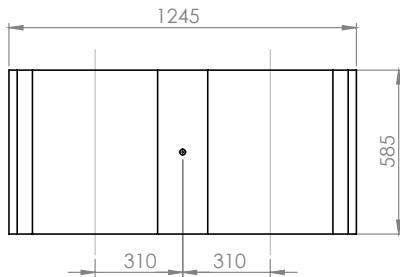
DRUM STAND 220 LITERS STACKABLE

Mint green (TEIN012 - Close to RAL 6029) - Ref. SFG2/220006F

Allows the positioning of 2x220 L drums.

Technical Information:

Dimensions (L x w x h): **1245 x 585 x 388 mm**

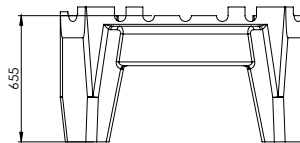
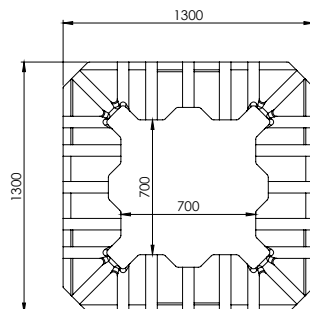
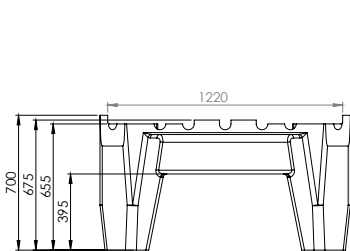


IBC support

Black (TEIN008 - Close to RAL 9017) - Ref : CGM1/1000RENFO08

Technical Information:

Overall dimensions (L x W x H): **1300 x 1300 x 700 mm**
Load capacity: **1500 kg**



**Support for one IBC, facilitating dispensing.
Large support surface for easier handling.**

DRUM FUNNEL Ø550mm

Available in 2 versions:

A - Avec couvercle - Ref. EPCEP545012F

B - Sans couvercle - Ref. EP545012F

Anti splash design

Technical Information:

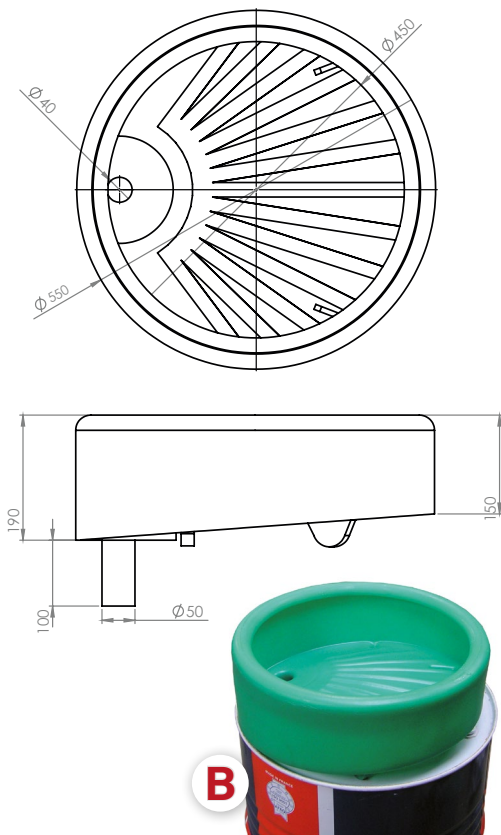
Dimensions :

Ø Flow rate: **40 mm**

Ø **550 mm** - Height: **190/150 mm**

Finish: **Mint green** (TEIN012 - Close to RAL 6029)

Sump capacity: **32 L**



COVER FOR DRUM FUNNEL Ø550mm

Available in 2 versions:

A - Mint green (TEIN012 - Close to RAL 6029)

Ref. CEP545006F

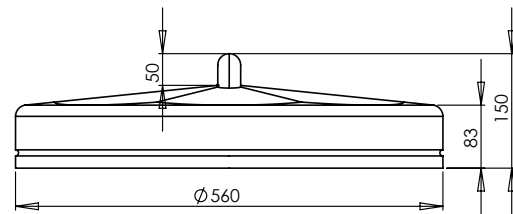
B - Yellow (TEIN006 - RAL 1028)

Ref. CEP545012F

For Ø055mm funnel and over pack 80

Technical Information:

Dimensions : Ø **560 mm** - Height: **135 mm**



DRUM FUNNEL Ø650mm

Mint green (TEIN012 - Close to RAL 6029) - Ref. ME650012F

Covers all the drum

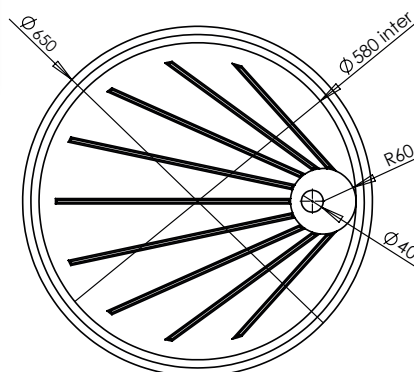
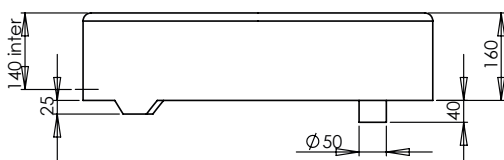
Technical Information:

Dimensions :

Ø Flow rate: **35 mm**

Ø **650 mm** - Height: **160 mm**

Sump capacity: **32 L**



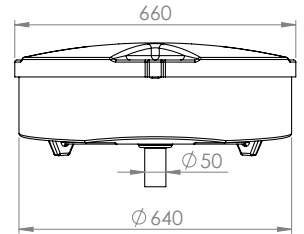
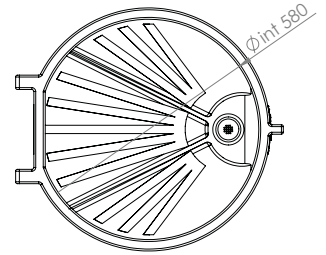
FUNNEL WITH LID FOR 220 L DRUM

Yellow (TEIN006 - RAL 1028)
Ref. ENTCOUV40006F

To be placed on a 220 L drum.
Total drum coverage.
Integral and lockable lid.
Full lid opening for better access.
Raised edge to prevent splash.
Sloping bottom for better liquid flow.
Equipped with a grid to collect the biggest waste.

Technical Information:

Dimensions (ø x h): **640 x 290**
Internal dim. (ø): **580 mm**
Outlet dim. (ø x w): **50 x 100 mm**
Sump capacity: **40 L**



LID FOR 220 L DRUM

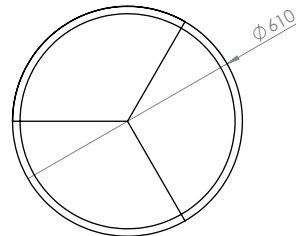
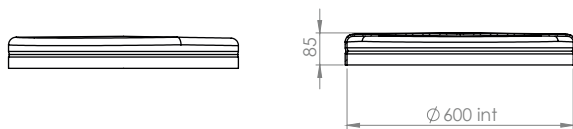
Available in 5 versions:

- A - Black (TEIN008 - Close to RAL 9017) - Ref. CASQUETTE220008F**
- B - Red (TEIN014 - Close to RAL 3020) - Ref. CASQUETTE220014F**
- C - Mint green (TEIN012 - Close to RAL 6029) - Ref. CASQUETTE220012F**
- D - Yellow (TEIN006 - RAL 1028) - Ref. CASQUETTE220006F**
- E - Gentian blue (TEIN002 - similaire à RAL 5010) - Ref. CASQUETTE220002F**

Prevents water from accumulating in the rim of the metal drum.

Technical Information:

Dimensions :
Ø : **610 mm**
Height: **100 mm**



B



C



D



E

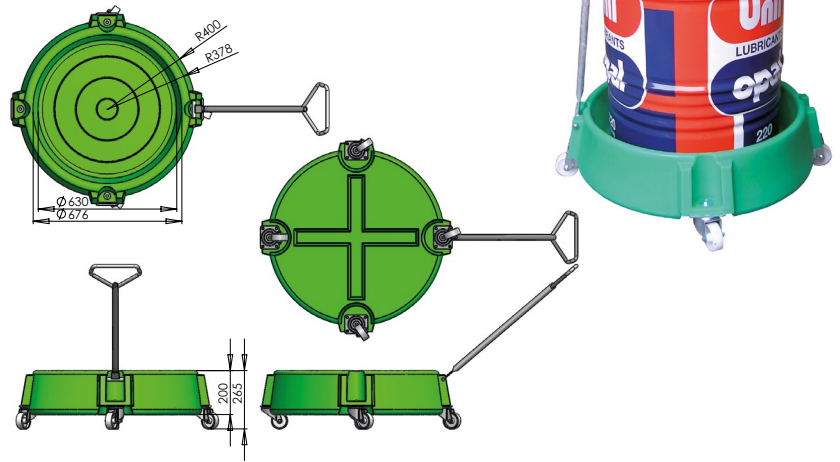
DRUM DOLLY

Mint green (TEIN012 - Close to RAL 6029) - Ref. ROULE1FT012F

With 4 swivel wheels

Technical Information:

Capacity : **47 L (without drum) ; 7 L (with drum)**
 Dimensions: Ø outside: **860 mm**, Height: **230 mm**
 Dimensions inside: Ø **650 mm** - Height: **190 mm**



100-200 LITERS SPILL TROLLEY

Available in 2 versions:

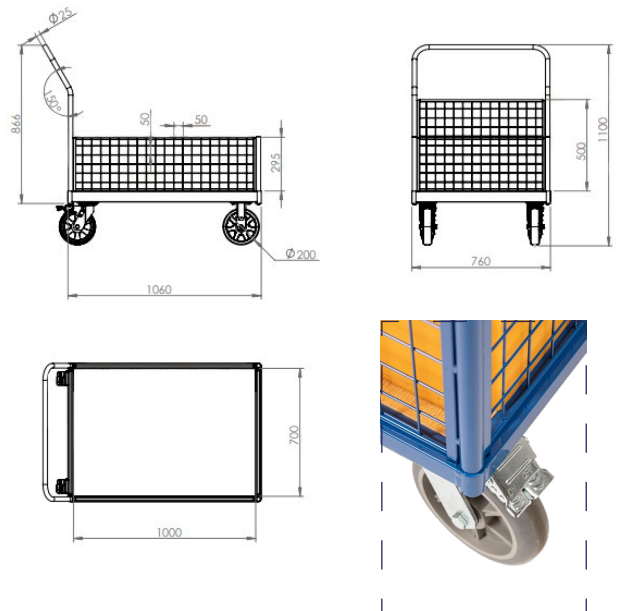
A - With 100 L sump capacity (TEIN002 - Close to RAL 5010)
 Ref. KITCHARIOT100L

B - With 200 L sump capacity (TEIN002 - Close to RAL 5010)
 Ref. KITCHARIOT200L

Blue painted steel trolley.
 4 mesh sides (height 295 / 500 mm).
 Mesh size: 50 x 50 mm.
 Equipped with 4 grey rubber wheels Ø 200 mm.
 2 swivel castors at the rear (including 1 with brake) and 2 fixed castors at the front.
 Wooden platform (thickness 15 mm).
 The trolley is equipped with either a 100 L spill containment tray or a 200 L tray without Grid.
 Supplied flat-packed.

Technical Information:

Overall dimensions (L x W x H): **1200 x 760 x 1100 mm**
 Deck: **1000 x 700 mm**
 Load capacity: **500 kg**

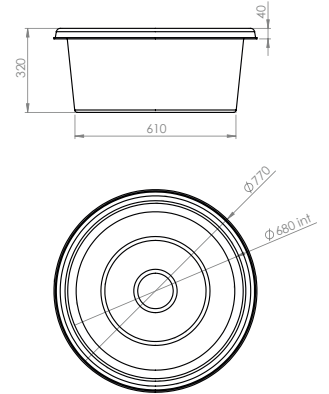


MULTI-PURPOSE TRAY - 100 LITERS

Mint green (TEIN012 - Close to RAL 6029)
Ref. BACPOLY100012F

Technical Information:

Capacity : 100 L
Dimensions :
Ø ext. : 770 mm - Ø int. : 680 mm
Height: 320 mm

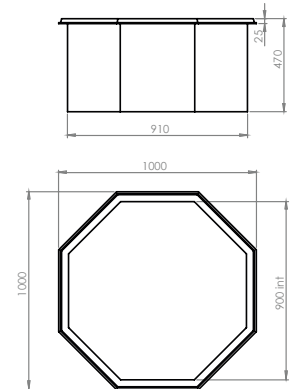


MULTI-PURPOSE TRAY - 300 LITERS

Yellow (TEIN006 - RAL 1028)
Ref. BACPOLY300006F

Technical Information:

Capacity : 300 L
Dimensions :
Ø ext. : 1000 mm - Ø int. : 900 mm
Height: 470 mm



Overdrum- 360 LITERS

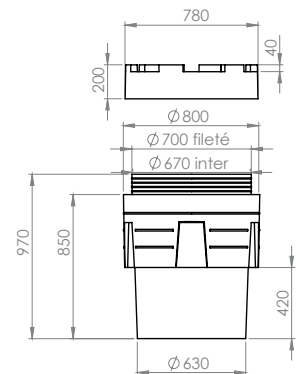
Available in 2 versions:

A - Mint green (TEIN012 - Close to RAL 6029)
Ref. REF220012F

B - Yellow (TEIN006 - RAL 1028)
Ref. RF22006F

Technical Information:

Capacity : 360 L
Dimensions :
Ø Drum opening : 670 mm
Ø Lid : 780 mm
Ø Base : 630 mm - Height: 1010 mm



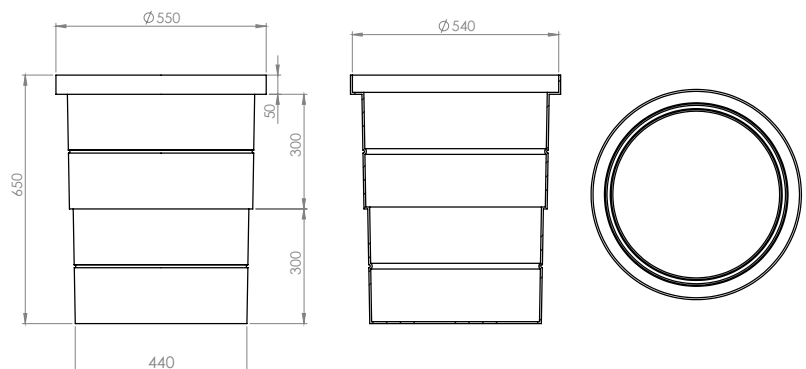
Overdrum- 100 LITERS

Available in 1 version with an optional feature:

Yellow (TEIN006 - RAL 1028) - Ref. RF60006F
Optional accessory: Lid / Ref. CEP545006F

Technical Information:

Dimensions :
Ø ext. : 550 mm - Ø int. : 440 mm - Height: 650 mm



CONTAINMENT CONTAINERS & STORAGE CABINETS



**5-year warranty against
manufacturing defects**



STORAGE SAFETY

Spill containment containers and cabinets ensure safe storage (both indoors and outdoors) of polluting and hazardous liquids contained in your drums, jerrycans, canisters, etc.



Dimensional and volumetric tolerances
The stated dimensions may vary by $\pm 4\%$.
Color variations may occur.

RAL references are provided for guidance only and are not contractual.

IBC STORAGE UNIT - 1000 LITERS

Grey (TEIN005 - Close to RAL 7016) - Ref. CGM1/100004F

Removable IBC Support.
2 large doors for an easy access.
Lockable to prevent unauthorised access.
Two-way forklift entry system.

Plastic grid also on option?

High and low ventilation. Other colors available on request.

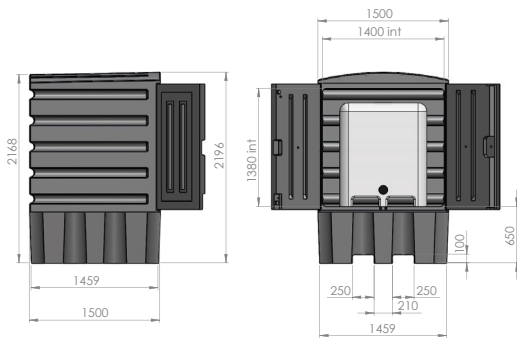
Technical Information:

Dimensions (L x w x h): **1500 x 1500 x 2200 mm**

Dim. utiles (L x p x h) : **1400 x 1400 x 1360 mm**

Sump capacity: **1100 L**

Load capacity: **1500 kg**



2 DRUM STORAGE UNIT - 280 L

Grey (TEIN005 - Close to RAL 7016) - Ref. CGM1/280004F

100% HDPE
Removable Grid in HDPE.
2 large doors for an easy access.
Lockable to prevent unauthorised access.
Possibility to store a Europallet inside
Two-way forklift entry system.

Optional: Upper and lower ventilation.
Other colors available on request.

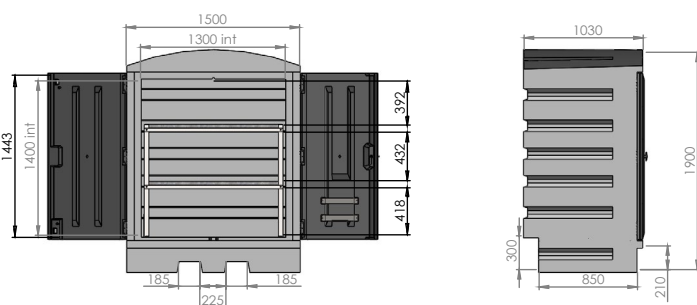
Technical Information:

Dimensions (L x w x h): **1500 x 1040 x 1900 mm**

Dim. utiles (L x p x h) : **1300 x 910 x 1400 mm**

Sump capacity: **280 L**

Load capacity: **600 kg**



Optional shelf

Ref. CGM1/ETAGERESF

Galvanized steel structure with 3 storage levels.
Removable galvanized steel Grid shelves.
Load capacity per level: **150 kg**



OPTIONS

2 IBC STORAGE UNIT - 2800 LITERS

Available in 2 versions:

A - Grey (TEIN004 - Close to RAL 7016) - Ref. CGM2/100004F

B - Optional Grid - Ref. CGM2/1000CAIL

- 100% HDPE container.
- IBC Supports inside.
- Allows to store 2 IBC outside.
- Wide opening for easy access (useful dim: 1370 x ht 1370 mm).
- 2 sliding doors with key lock.
- The doors slide on one of the stainless steel slides to facilitate opening.
- Passage of forks for forklift and stacker.
- Roof with device for the evacuation of water.
- 100% recyclable.
- Delivered assembled.

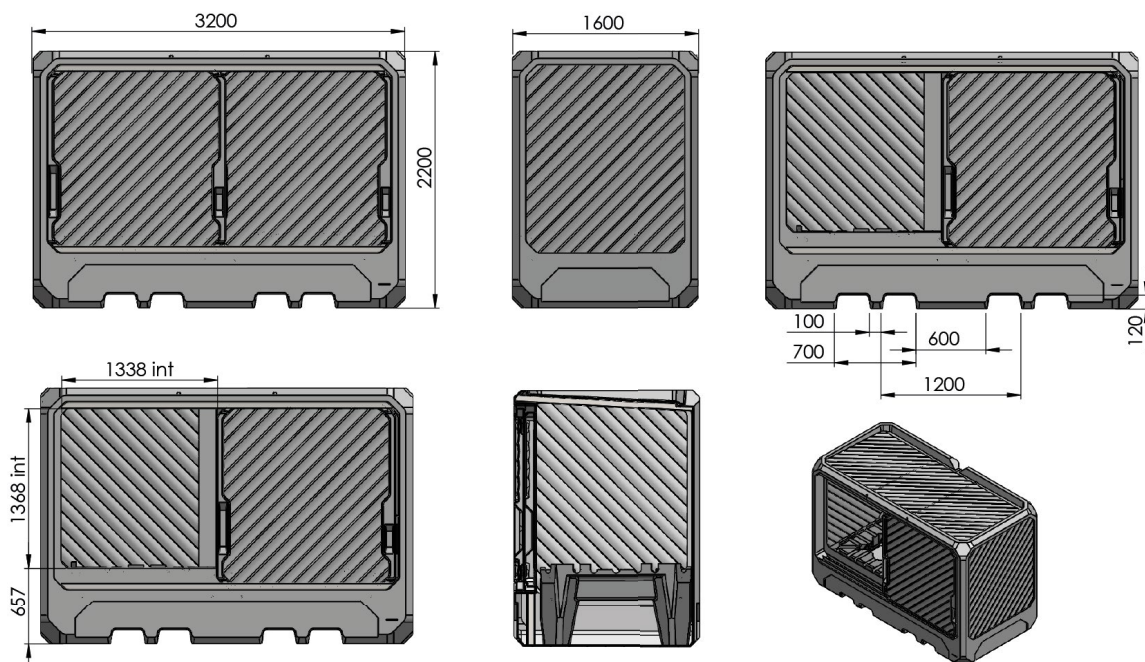
Optional: a Grid can be installed on the IBC supports for drum storage (B).

Technical Information:

- Dimensions (L x w x h): **3200 x 1600 x 2200 mm**
- Usable dimensions (L x W x H): **1338 x 1200 x 1368 mm**
- Sump capacity: **2800 L**
- Load capacity: **per IBC-space**



B



MOBILE SAFETY CUPBOARD/CABINET

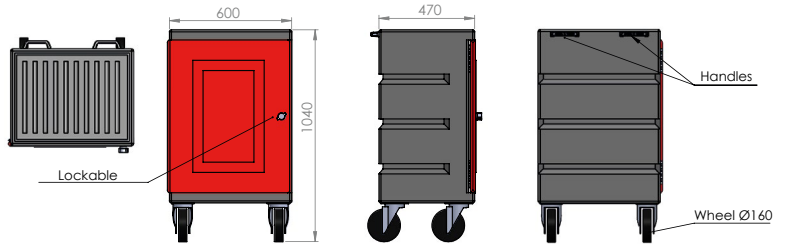
Ref. ARMDUSS012F

Mobile safety Cupboard / Cabinet
 Cupboard 100% HDPE equipped with 4 rubber swivel casters (1 with brake), 160 mm.
 On the top, a standing surface with a rim (410 x550 mm).
 - 1 removable shelf.
 - 1 door with lock and document holder inside.
 - 2 handles at the back for moving.



Technical Information:

Dimensions (L x w x h): **600 x 470 x 1040 mm**
 Finish: Grey body (TEIN004 - Close to RAL7016)
 Red door (TEIN014 - Close to RAL3020)



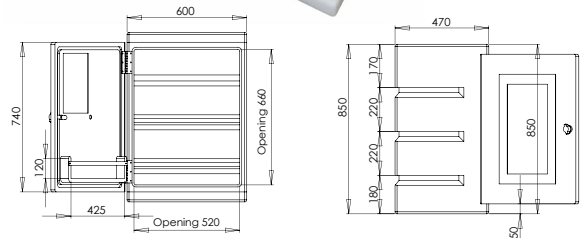
SAFETY CABINET

Ref. ARMSECU002F

100% HDPE with 2 stainless steel shelves.
 1 lockable door.
 To put on the floor or on a wall.
 Folder holder on the inside on the door.

Technical Information:

Dimensions (L x w x h): **600 x 470 x 850 mm**
 Finish: Corps Naturel
 Doors : **Blue** (TEIN002 - Close to RAL 5010)
 Sump capacity : **20 L**
 Load capacity : **75 kg** / Fixée au mur : **20 kg**



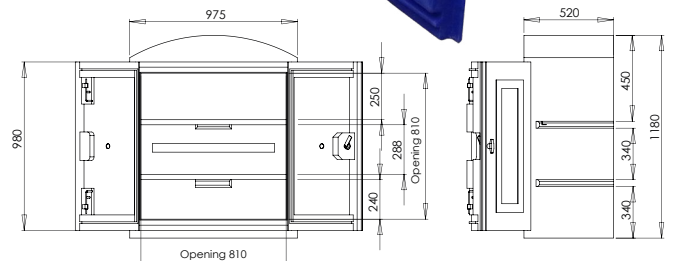
SPILL CUPBOARD (SMALL SIZE)

Ref. APM1002F

100% HDPE cupboard with 3 stainless steel shelves, 2 lockable doors, and a rounded top to prevent water buildup.

Technical Information:

Dimensions (L x w x h): **975 x 520 x 1180 mm**
 Useful dim. (L x w x h): **810 x 440 x 820 mm**
 Finish: **Natural finish**
 Doors : **Blue** (TEIN002 - Close to RAL 5010)
 Sump capacity: **47 L**
 Load capacity: **50 kg**



SPILL CUPBOARD - BIG SIZE

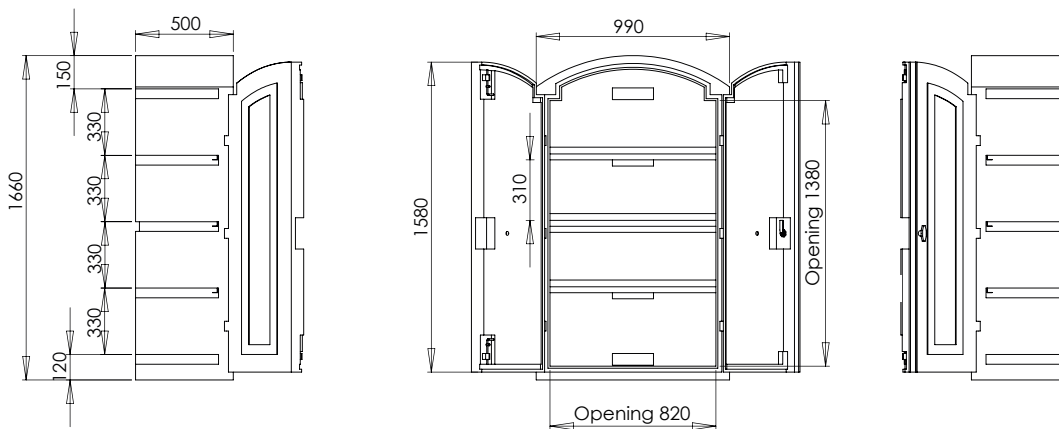
Ref. AGM1002F

100% HDPE cupboard with 3 stainless steel shelves.
 2 lockable doors.
 Rounded roof to prevent water stagnation on top.
 Available options:
 4 screwed feet: Ref. PIEDARMOIRE002F
 Spill tray 43 L: Ref. BACETAGERE43014F
 Spill tray 22 L: Ref. BACETAGERE22014F



Technical Information:

Dimensions (L x w x h): **975 x 520 x 1660 mm**
 Useful dim. (L x w x h): **820 x 460 x 1490 mm**
 Finish: **Natural finish**
 Doors: **Blue** (TEIN002 - Close to RAL 5010)
 Sump capacity: **28 L**
 Load capacity: **50 kg**



Common option

4 screw-on feet raising the cabinet by 95 mm

Ref. PIEDARMOIRE002F

Set of 4 feet for spill containment cabinets

Compatible with:
 Small spill containment cabinet: **APM1002F**
 Large spill containment cabinet: **AGM1002F**
 Finish: **Blue** (TEIN002 - Close to RAL5010)



OPTIONS

Options for the large cabinet AGM1

Shelf trays - 18 and 33 liters

(See page 44)

18 L TRAY :

Ref. BACETAGERE22014F

Dimensions : **820 x 420 x 70 mm**
 Finish: **Red** (TEIN014 - Close to RAL 3020)



33 L TRAY:

Ref. BACETAGERE43014F

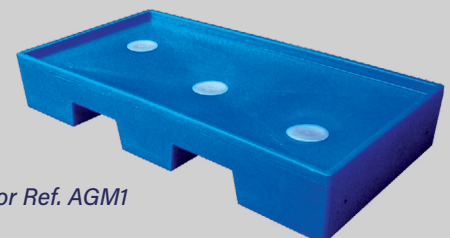
Dimensions : **820 x 420 x 135 mm**
 Finish: **Red** (TEIN014 - Close to RAL 3020)

Spill containment tray to be placed under the cabinet

Ref. BACAGM1002F

Technical Information:

Dimensions : **1040 x 510 x 175 mm**
 Finish: **Blue** (TEIN002 - Close to RAL5010)
 Sump capacity: **53 L**



Only suitable for Ref. AGM1

ESSENTIALS



4 capacities (115 to 585 L),
4 colors, 3 finishes
more than 60 possible combinations

STORAGE BINS



Conical shape,
nestable
when empty

Removable lid
supplied with
each tray

Options
castors or feet to adapt
the product to all your needs

3/4" insert for installing
a drain valve

Tray made from
100% recyclable material

STORAGE & HANDLING



5-year warranty against manufacturing defects



MULTI-SECTOR USE

These storage bins offer a wide range of applications. They can be used to store liquids, waste, or various products. They are suitable for both finished goods and bulk materials.



Dimensional and volumetric tolerances
The stated dimensions may vary by $\pm 4\%$.
Color variations may occur.
RAL references are provided for guidance only and are not contractual.

EASYBAC™ STORAGE BINS - FROM 115 TO 585 LITERS

- 100% HDPE – 100% recyclable
- Operating temperature: -30 to +60°C
- **Applications:** storage and handling of bulk materials and liquids, trolleys, waste bins, selective sorting, etc.
- Lid supplied as standard
- Molded-in insert for mounting a tap
- Nestable for empty transport
- Available in 4 finishes:

STORAGE BIN - 115 LITERS

Technical Information:

Dimensions (L x w x h): **600 x 500 x 650 mm**

Sump capacity: **115 L**

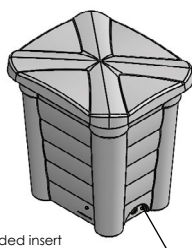
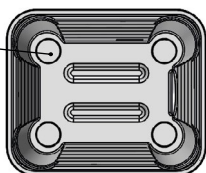
Static Load capacity: **70 kg**

Dynamic Load capacity: **50 kg**

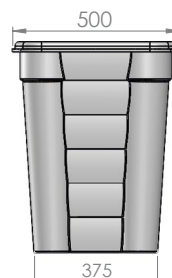
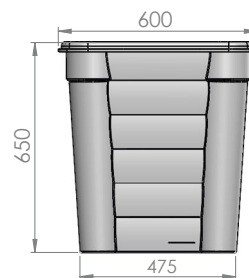
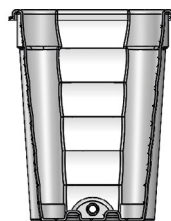
Nestable in stacks of 10 units for transport



x4 Threaded feet



3/4 overmolded insert



STORAGE BIN - 200 LITERS

Technical Information:

Dimensions (L x w x h): **800 x 600 x 650 mm**

Suump Sump capacity: **200 L**

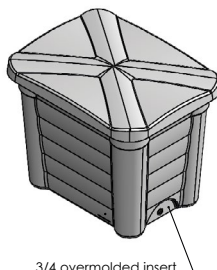
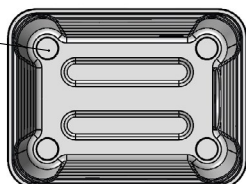
Static Load capacity: **120 kg**

Dynamic Load capacity: **100 kg**

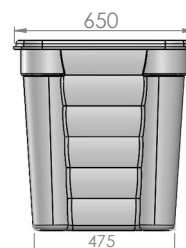
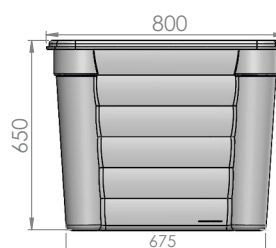
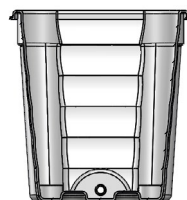
Nestable in stacks of 11 units for transport



x4 Threaded feet



3/4 overmolded insert

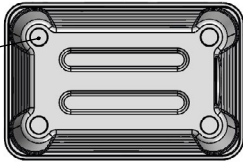


STORAGE BIN - 325 LITERS

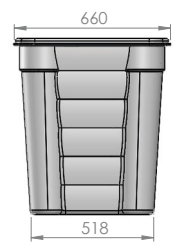
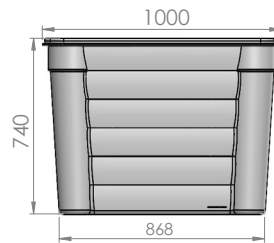
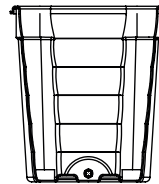
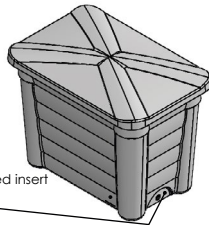
Technical Information:
 Dimensions (L x w x h): **1000 x 660 x 740 mm**
 Sump capacity: **325 L**
 Static Load capacity: **200 kg**
 Dynamic Load capacity: **150 kg**
 Nestable in stacks of 9 units for transport



x4 Threaded feet

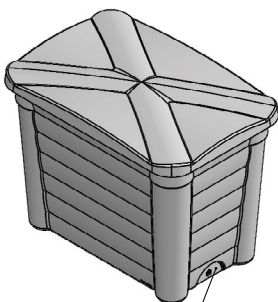


3/4 overmolded insert

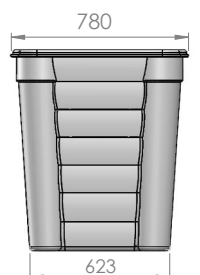
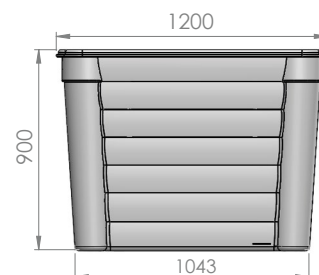
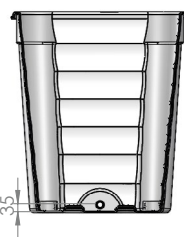
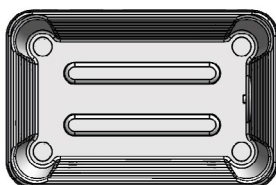


STORAGE BIN - 585 LITERS

Technical Information:
 Dimensions (L x w x h): **1200 x 780 x 900 mm**
 Sump capacity: **585 L**
 Static Load capacity: **350 kg**
 Dynamic Load capacity: **250 kg**
 Nestable in stacks of 9 units for transport



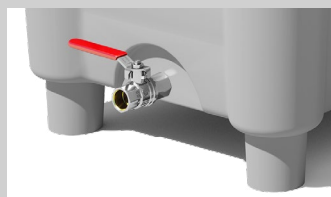
3/4 overmolded insert



Options for the EASYBAC range

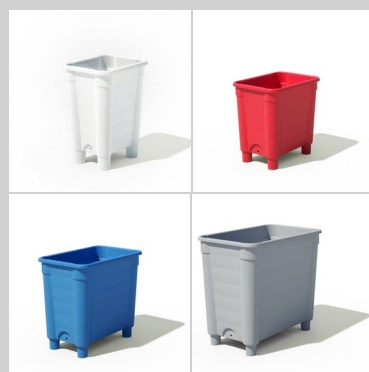
Drain tap

Allows drainage of liquids that may be present in the bin.
Each bin is equipped with a pre-drilled hole with a 3/4» insert and a sealed plug.



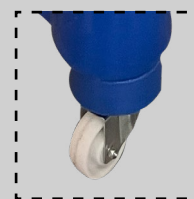
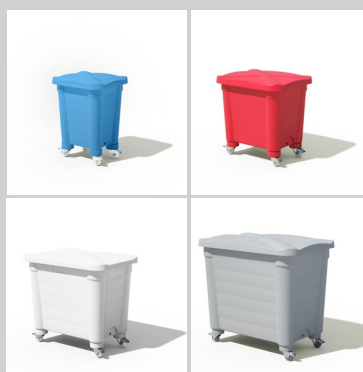
HDPE feet

4 feet made from 100% HDPE.
Manufactured in the same color as the bin.
The feet screw into the base of the bin.
Foot height: 95 mm.



Castors

4 swivel castors with eye fitting, including one with brake.
Polyamide wheels Ø 80 mm.
Castor height: 140 mm.
The castor is mounted on a bracket that screws into the base of the bin.
Castor brackets are manufactured in the same color as the bin.



Product references:

Overall dimensions of the single model	Color	Sump Capacity	References		
			Single model	Footed model	Castor-mounted model
600 x 500 x 650(h) mm	Signal Red	115 Liters	BACSTO115L014F	BACSTO115LP014F	BACSTO115LR014F
	Gentian Blue		BACSTO115L002F	BACSTO115LP002F	BACSTO115LR002F
	Silver Grey		BACSTO115L018F	BACSTO115LP018F	BACSTO115LR018F
	Natural white		BACSTO115L000F	BACSTO115LP000F	BACSTO115LR000F
800 x 600 x 650(h) mm	Signal Red	200 Liters	BACSTO200L014F	BACSTO200LP014F	BACSTO200LR014F
	Gentian Blue		BACSTO200L002F	BACSTO200LP002F	BACSTO200LR002F
	Silver Grey		BACSTO200L018F	BACSTO200LP018F	BACSTO200LR018F
	Natural white		BACSTO200L000F	BACSTO200LP000F	BACSTO200LR000F
1000 x 650 x 750(h) mm	Signal Red	325 Liters	BACSTO325L014F	BACSTO325LP014F	BACSTO325LR014F
	Gentian Blue		BACSTO325L002F	BACSTO325LP002F	BACSTO325LR002F
	Silver Grey		BACSTO325L018F	BACSTO325LP018F	BACSTO325LR018F
	Natural white		BACSTO325L000F	BACSTO325LP000F	BACSTO325LR000F
1200 x 780 x 900(h) mm	Signal Red	585 Liters	BACSTO585L014F	BACSTO585LP014F	BACSTO585LR014F
	Gentian Blue		BACSTO585L002F	BACSTO585LP002F	BACSTO585LR002F
	Silver Grey		BACSTO585L018F	BACSTO585LP018F	BACSTO585LR018F
	Natural white		BACSTO585L000F	BACSTO585LP000F	BACSTO585LR000F
Drain tap option			ASS0255		

BULK HANDLING TROLLEYS

All our trolleys are equipped with a one-piece high-density HDPE tank.
Fastening components are made of stainless steel for improved corrosion resistance.
The rear positioning of the swivel castors ensures excellent maneuverability.

MOBILE TROLLEY - 150 LITERS

Available in 2 versions:

A - Black (TEIN008 - Close to RAL 1028) - Ref. CHARAL150/3008F

B - Mint green (TEIN012 - Close to RAL 6029) - Ref. CHARAL150/3012F

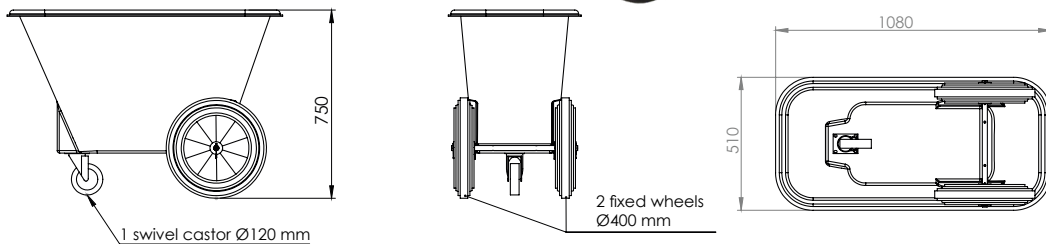
Narrow width for passage in corridors.
A 360° swivel wheel in the front Ø 120 mm.
2 fixed wheels in the back Ø 400mm.

Technical Information:

Dimensions (L x w x h): **1080 x 510 x 750 mm.**

Sump capacity: **150 L**

Load capacity: **150 kg**



MOBILE TROLLEY - 200 LITERS

Available in 2 versions:

A - Black (TEIN008 - Close to RAL 1028) - Ref. CHARAL200/4008F

B - Moss Green (TEIN013 - Close to RAL 6005) - Ref. CHARAL200/4013F

Trolley with a reduced width and optimized height to increase capacity.
100% HDPE bin.

Equipped with:

2 swivel castors at the rear, including 1 with brake (Ø 125 mm), for steering.

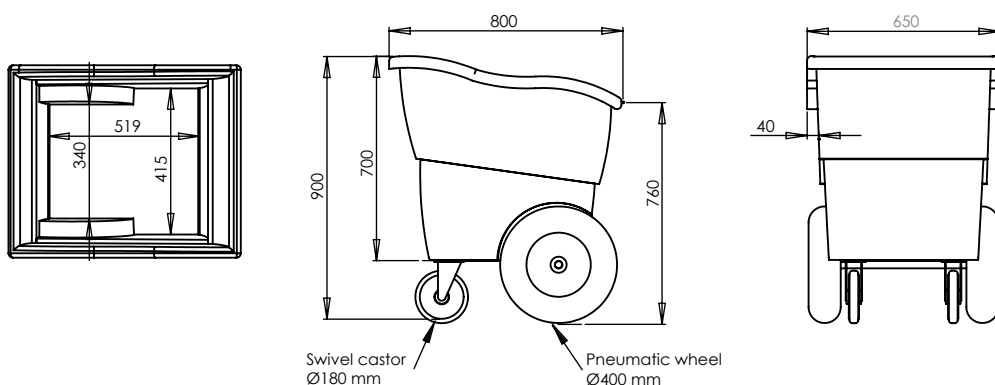
2 fixed pneumatic wheels at the front (Ø 400 mm), ideal for outdoor use.

Technical Information:

Dimensions (L x w x h): **800 x 650 x 900 mm.**

Sump Capacity : **200 L**

Load capacity: **200 kg**



MOBILE TROLLEY - 220 LITERS

Available in 2 versions:

A - Black (TEIN008 - Close to RAL 1028) - Ref. CHARAL220/3008F

B - Mint green (TEIN012 - Close to RAL 6029) - Ref. CHARAL220/3012F

Compact trolley with a small footprint.

100% HDPE bin.

Equipped with:

1 swivel castor at the rear (Ø120 mm) for steering.

2 fixed rubber-tyred wheels at the front (Ø400 mm).

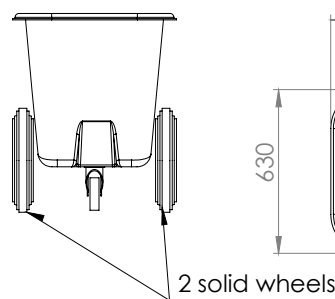
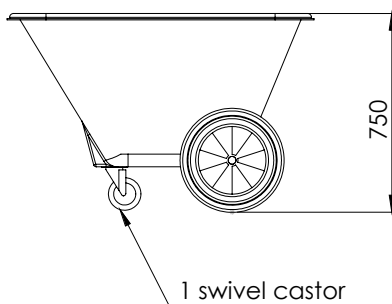
Pneumatic wheels are ideal for outdoor use.

Technical Information:

Dimensions (L x w x h): **1160 x 630 x 750 mm**

Sump capacity: **220 L**

Load capacity: **220 kg**



MOBILE TROLLEY - 350 LITERS

Available in 2 versions:

A - Black (TEIN008 - Close to RAL 1028)

Ref. CHARAL350/4008F

B - Moss Green (TEIN013 - Close to RAL 6005)

Ref. CHARAL350/4013F

Trolley with reduced width and optimized height to increase capacity.

100% HDPE bin.

Equipped with:

2 swivel castors at the rear, including 1 with brake (Ø 160 mm), for steering.

2 fixed pneumatic wheels at the front (Ø 400 mm).

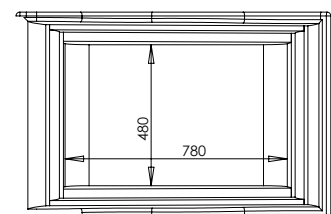
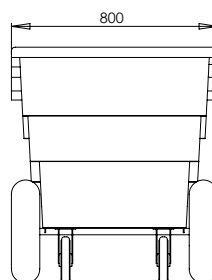
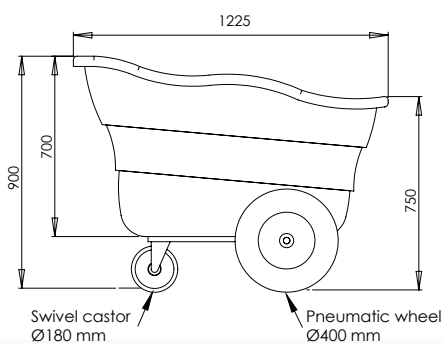
Ideal for outdoor use.

Technical Information:

Dimensions (L x w x h): **1225 x 800 x 900 mm.**

Sump capacity: **350 L**

Load capacity: **300 kg**



SALT & SAND BINS



COMPACT STORAGE BOX FOR ABSORBENT KIT 50 to 200 liters

Available in 3 versions (red):

A - 50 L Model - Ref. BACSEL50ST014F

B - 100 L Model - Ref. BACSEL100ST014F

C - 200 L Model - Ref. BACSEL200ST014F

Available in 3 versions (yellow):

A' - 50 L Model - Ref : BACSEL50ST006F

B' - 100 L Model - Ref. BACSEL100ST006F

C' - 200 L Model - Ref : BACSEL200ST006F

Flat bottom box.

100% HDPE.

For the storage of polyethylene sorbents, or bulk absorbents.

Technical Information:

50 liters model

Dimensions (L x w x h): **558 x 497 x 500 mm**

100 liters model

Dimensions (L x w x h): **750 x 670 x 420 mm**

200 liters model

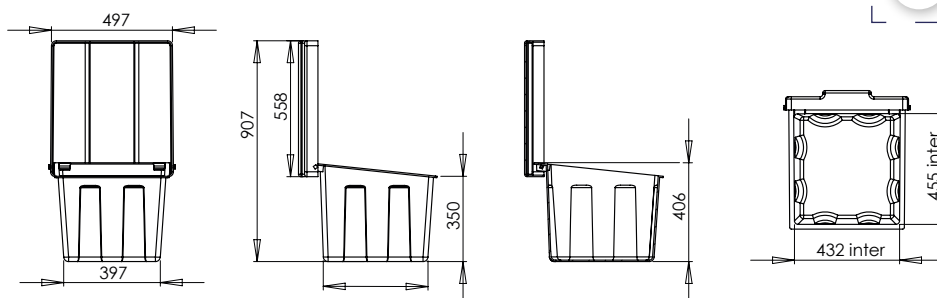
Overall dimensions (L x W x H): **743 x 644 x 690 mm**



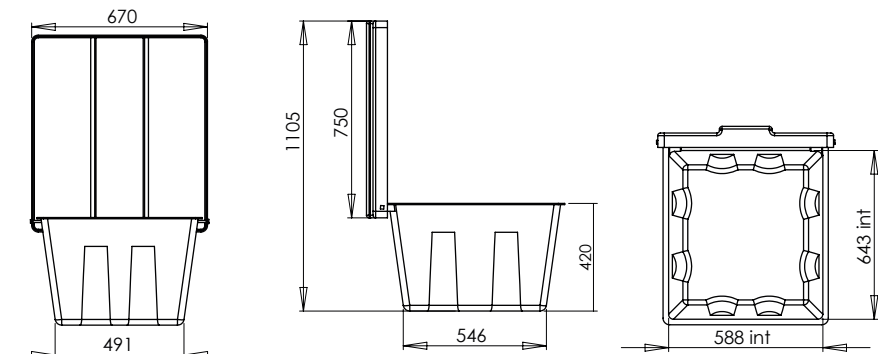
A



A'



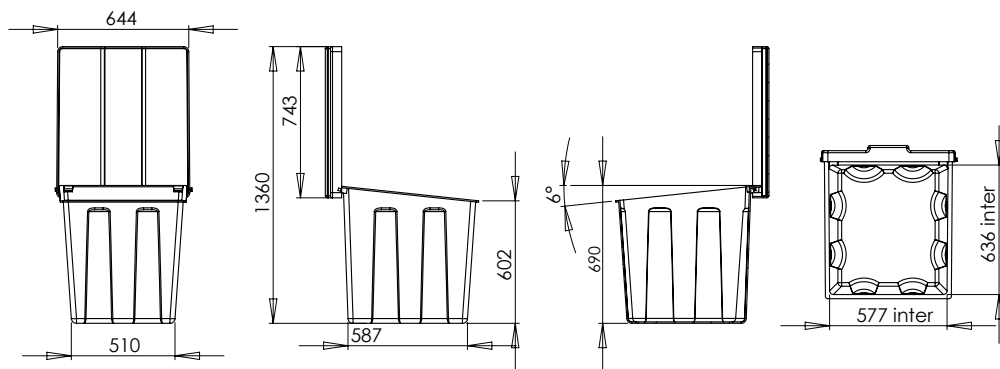
Also suitable for storing absorbents



B



B'



C

OPTION

RETRACTABLE SHOVEL

Red (TEIN014 - Close to RAL 3020)

Ref : PELLERF

Plastic retractable shovel with aluminium handle.
Stainless.

Technical Information:

Extended position (L x w x h): **L 750 x l 215 x H 85 mm**

Folded position (L x w x h): **L 480 x l 215 x H 80 mm**



C'

PREMIUM SALT BIN - 200 LITERS

Available in 2 versions:

A - Red (TEIN014 - Close to RAL 3020) - Ref. BACSEL200P014F

B - Yellow (TEIN006 - RAL 1028) - Ref. BACSEL200P006

Forklift entry.

Inside the lid, compartments for a shovel (optional), gloves, and a safety vest (not included).

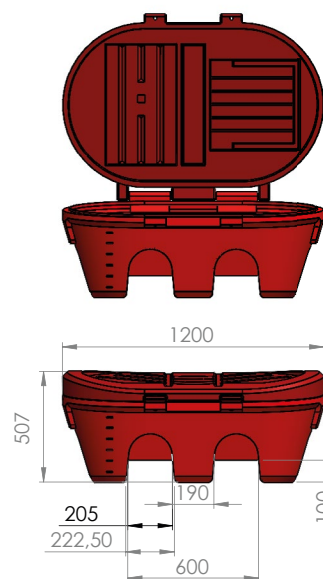
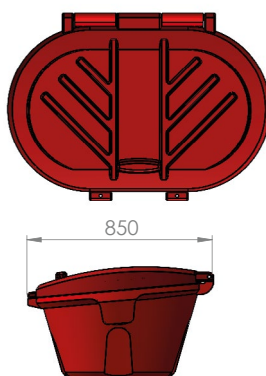
Seal inside the lid for improved watertightness.

Hinged lid with toggle latch closing.

Technical Information:

Sump capacity: **200 L**

Overall dimensions (L x W x H): **1200 x 850 x 507 mm**



PREMIUM SALT BIN - 300 LITERS

Available in 2 versions:

A - Red (TEIN014 - Close to RAL 3020) - Ref. BACSEL300P014F

B - Yellow (TEIN006 - RAL 1028) - Ref. BACSEL300P006

Forklift entry.

Inside the lid, compartments for a shovel (optional), gloves, and a safety vest (not included).

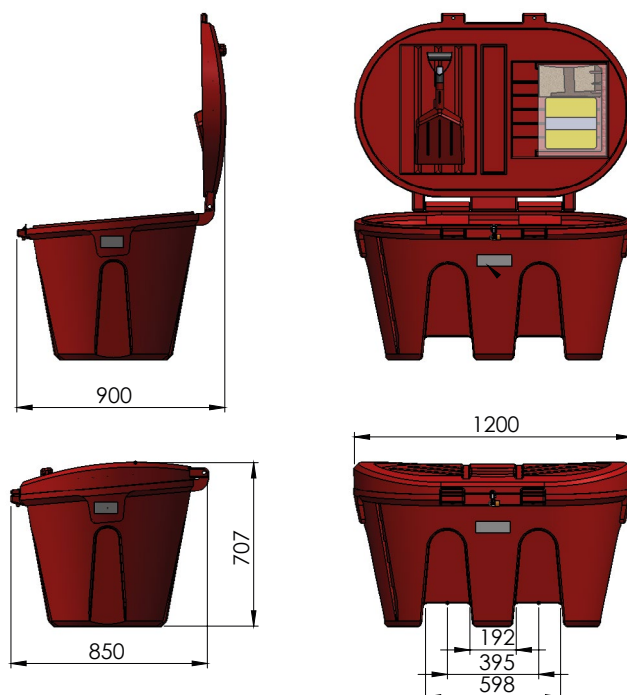
Seal inside the lid for improved watertightness.

Hinged lid with toggle latch closure.

Technical Information:

Sump capacity: **300 L**

Overall dimensions (L x W x H): **1200 x 900 x 707 mm**



LARGE VOLUME STORAGE BOX FOR ABSORBENT KIT

180 to 500 liters

Available in 2 versions:

A - 180 L Model - Ref. BACSEL180002F

B - 300 L Model - Ref. BACSEL300002F

C - 500 L Model - Ref. BACSEL500002F

Forklift entry on 2 sides for pallet TROLLEY handling (except 500-liter model).

100% HDPE.

Overlap lid design.

Finish: yellow body (TEIN006 - Close to RAL 1028), blue lid (TEIN002 - Close to RAL 5010).

Technical Information:

180 liters model

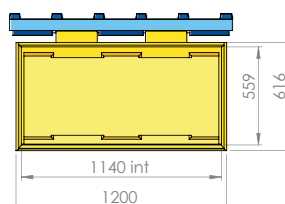
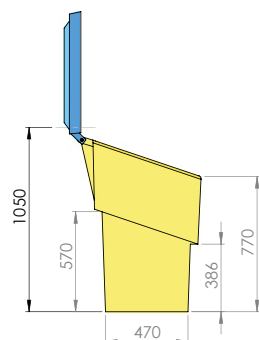
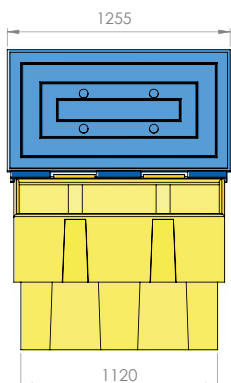
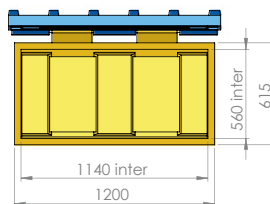
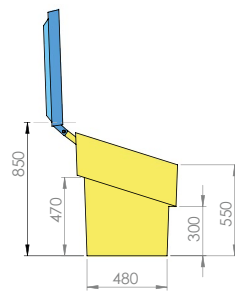
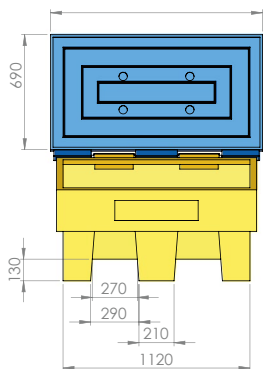
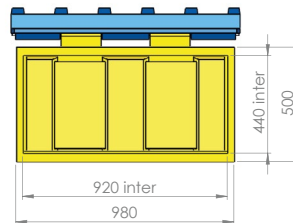
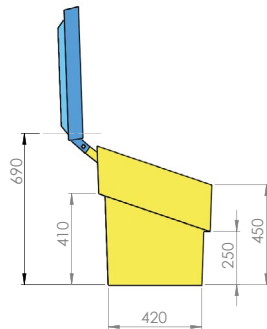
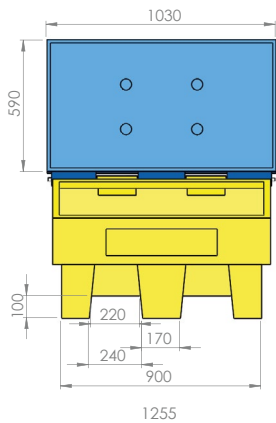
Dimensions (L x w x h): **1030 x 630 x 690 mm**

300 liters model

Dimensions (L x w x h): **1255 x 750 x 850 mm**

500 liters model

Dimensions (L x w x h): **1255 x 750 x 1050 mm**





Storage boxes - 50 to 180 liters

Available in 3 versions:

A - 50 L Model - Ref. CR50006F

B - 120 L Model - Ref. CR120006F

C - 180 L Model - Ref. CR180006F

Robust multi-purpose chests with watertight body.
 Forklift entry on 2 sides for 120 L and 180 L models.
 2 inteGridd side handles.
 Finish: Yellow (TEIN006 - RAL 1028).

Technical Information:

50 liters storage box

Sump capacity : **50 L**

Dimensions (L x w x h): **550 x 520 x 400 mm**

120 liters storage box

Sump capacity : **120 L**

Dimensions (L x w x h): **880 x 610 x 500 mm**

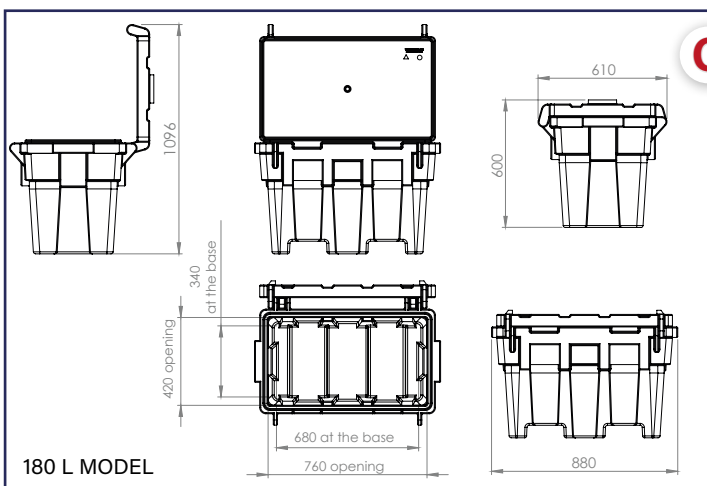
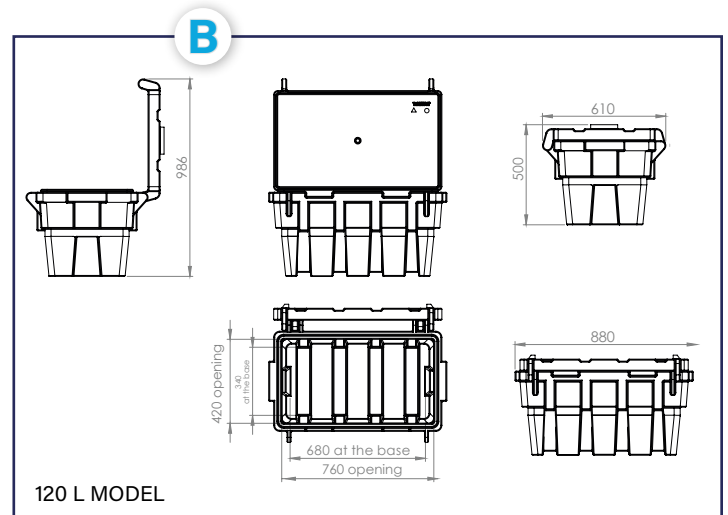
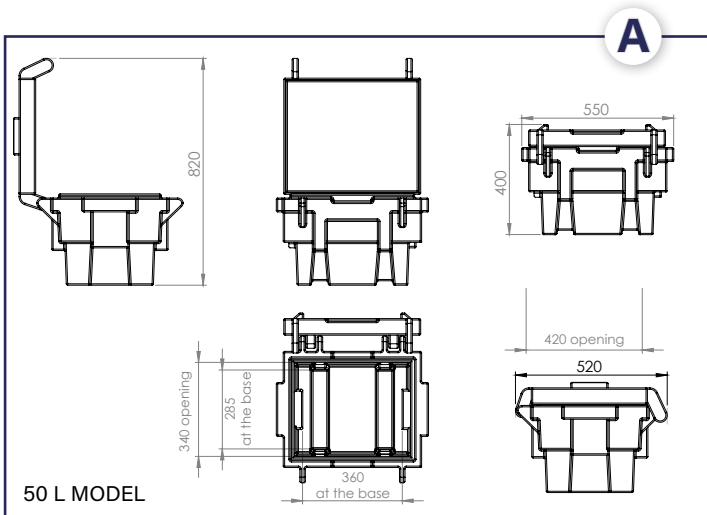
180 liters storage box

Capacity : **180 L**

Dimensions (L x w x h): **880 x 610 x 600 mm**



A



C

Closing system

Ref : OPTIONFERMETUREF

Composed of 2 toggle latches with stainless steel hooks and rivets (padlock not included).



Padlock

Ref : CD31174F

Stainless steel
Diameter: 6 mm



OPTIONS

ABSORBENT CONTAINERS

Available in 2 versions:

A - Yellow (TEIN006 - RAL 1028) - Ref. CONTABSGM006F

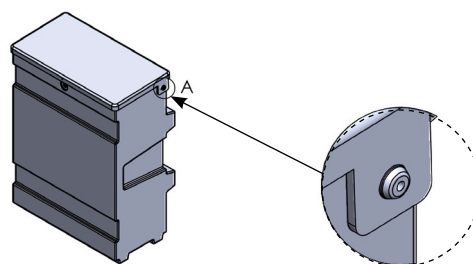
B - Red (TEIN014 - Close to RAL 3020) - Ref. CONTABSGM014F

Containers with lid for storing absorbents.
Can also be used as a waste bin for contaminated absorbents or rags.
Lockable.
Compact with flat back for placement against a wall.
Large front surface for applying warning labels.

Technical Information:

Dimensions (L x w x h): **630 x 350 x 833 mm**

Sump capacity: **130 L**



WORKBENCH WITH SPILL CONTAINMENT

Yellow - Ref. KITETABLI60L

Workbench equipped with a 60-liter spill containment tray with grid, providing a safe working surface for handling liquids. Ideal for decanting, transferring, and parts cleaning. The spill containment tray is made from 100% HDPE. Sump capacity: 60 liters. Work surface dimensions: 1210 x 590 mm. The tray fits perfectly into the structure for improved stability. The legs are fitted with base plates.

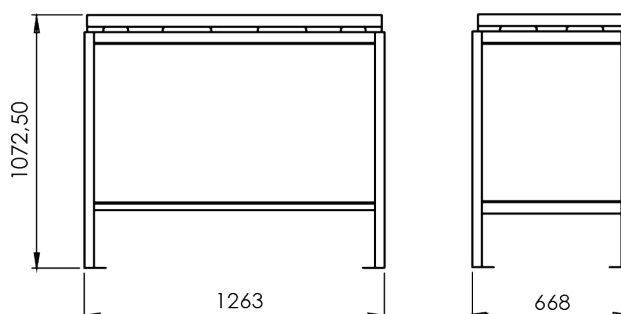
Technical Information:

Dimensions (L x w x h): **1263 x 668 x 1072,50 mm**

Blue powder-coated finish

Supplied flat-packed

Load capacity: **150 kg**



NEON TUBE COLLECTORS

Unique on the market, designed for the transport and storage of used fluorescent tubes.
Prevents breakage and the release of harmful gases and dust.
Practical for use when replacing tubes from elevated work platforms, ensuring safe handling.
- Foldable central carrying handle.
- Cap secured with a double elastic strap attached to the drum for enhanced safety.
- Finish: Yellow Melon (TEIN006 – Close to RAL 1028) & Black cap (TEIN008 – Close to RAL 9017).

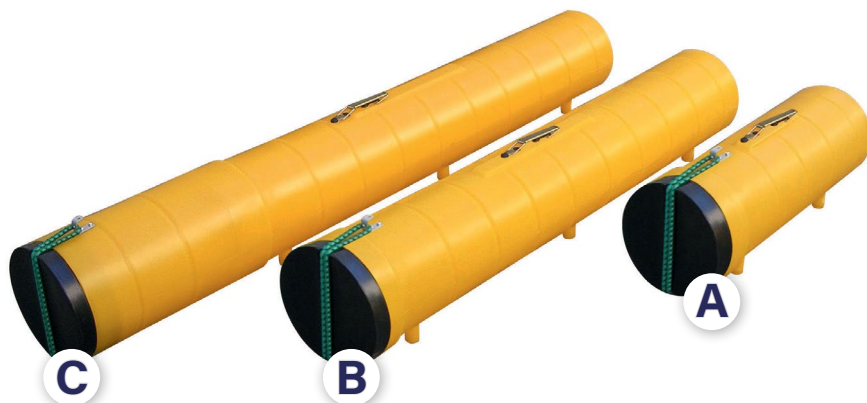
COLLECTOR 600

A-Model 600 - Ref. CTN600MP00014F

Suitable for 600 mm fluorescent tubes

Technical Information:

Capacity: **50 fluorescent tubes Ø 25 mm**
Dimensions : Length: **665 mm**
Cap outer diameter: **300 mm**
Drum outer diameter: **220 mm**



COLLECTOR 1200

B-Model 1200 / Ref. CTN1200MP00014F

Suitable for 1200 mm fluorescent tubes.

Technical Information:

Capacity: **50 fluorescent tubes Ø 25 mm**
Dimensions : Length: **1265 mm**
Cap outer diameter: **300 mm**
Drum outer diameter: **220 mm**

COLLECTOR 1500

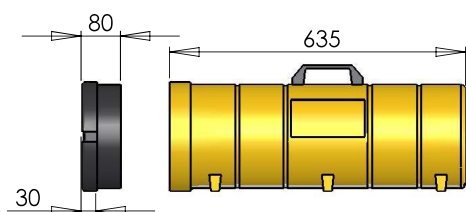
C-Model 1500 / Ref. CTN1500MP00014F

Suitable for 1500 mm fluorescent tubes

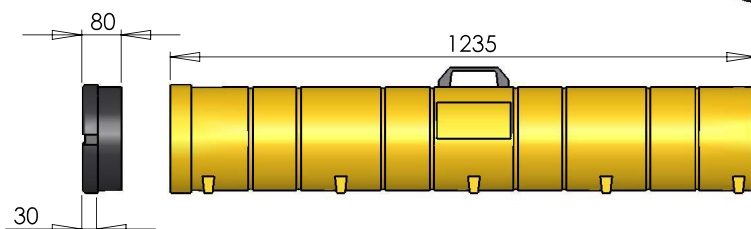
Technical Information:

Capacity: **50 fluorescent tubes Ø 25 mm**
Dimensions : Length: **1565 mm**
Cap outer diameter: **300 mm**
Drum outer diameter: **220 mm**

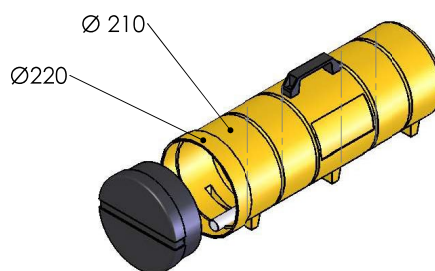
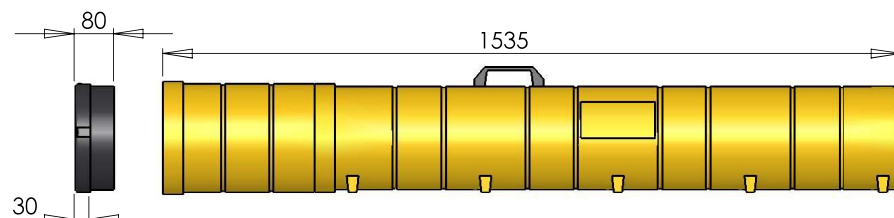
A



B



C



CISTERNS & TANKS



**5-year warranty against
manufacturing defects**



Dimensional and volumetric tolerances
The stated dimensions may vary by $\pm 4\%$.
Color variations may occur.
RAL references are provided for guidance only and are
not contractual.



WATER STORAGE

Rainwater harvesting (updated: August 2008)

Excerpt from August 21, 2008 – Official Journal No. 5 of August 29, 2008, relating to the collection and use of rainwater both inside and outside buildings.

I. – Rainwater collected downstream of inaccessible roofs may be used for outdoor domestic purposes. Watering of green areas accessible to the public must be carried out outside periods of public presence.

II. – Inside a building, rainwater collected downstream of inaccessible roofs, excluding those made of asbestos cement or lead, may only be used for toilet flushing and floor cleaning.

III. – The use of rainwater collected downstream of inaccessible roofs is authorized, on an experimental basis, for laundry washing, subject to the implementation of appropriate water treatment systems and provided that:

- the person placing the water treatment system on the market declares to the Ministry of Health the types of suitable systems they intend to install.
- the installer keeps a list of installations covered by the experiment, available to the Ministry of Health.

IV. – Professional and industrial uses of rainwater are authorized, except for those requiring water intended for human consumption as defined in Article R.1321-1 of the Public Health Code, in compliance with applicable specific regulations, in particular Regulation (EC) No. 852/2004 of 29 April 2004 of the European Parliament and of the Council on the hygiene of foodstuffs.

Excerpt from the Official Tax Bulletin 5 B-18-07 – No. 96 of August 3, 2007

“Article 49 of the Water and Aquatic Environments Act (No. 2006-1772 of December 30, 2006) extends the scope of application of **this tax credit to the cost of equipment for rainwater collection and treatment.**

Expenses relating to this new category are eligible for a tax credit equal to 25% of their amount.

The list of these items was established by a joint decree of the Ministers of Ecology, Housing, Budget, and Health dated May 4, 2007, published in the Official Journal No. 105 of May 5, 2007.

These new provisions apply to expenses paid between January 1, 2007, and December 31, 2009.

Reduced VAT rate of 5.5%

Refer to the Official Tax Bulletin No. 202 of December 8, 2006 – 3C-7-06

ABOVE-GROUND TANKS

5 polyethylene tank sizes to meet all your needs.

Black lid (TEIN008 – Close to RAL 9017).

Available in two finishes: Gentian blue (TEIN002 – Close to RAL 5010) or anthracite grey (TEIN004 – Close to RAL 7016).

- 3 upper connection points allowing optimized tank filling (except for the 12,500-liter tank).
- 4 evenly distributed strap passages to facilitate installation (handling when empty only).
- Dual-function air vent (breather*) designed for use with pumping systems with a flow rate below 10 m³/h.
- Molded-in liter graduations over the full height of the tank.
- Flat area for ladder installation (except for the 12,500-liter tank).
- Lid with vent and manhole opening.



3 000 liters

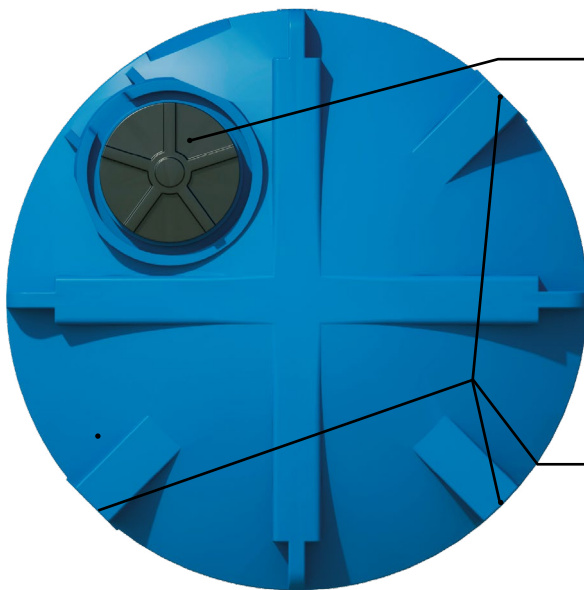
5 000 liters

7 500 liters

10 000 liters

12 500 liters

Our above-ground tanks are also available in ACS-certified quality for drinking water storage.



Manhole openings with the following diameters:

- Ø 400 mm for the 3,000-liter tank
- Ø 400 mm for the 5,000-liter tank
- Ø 400 mm for the 7,500-liter tank
- Ø 550 mm for the 10,000-liter tank
- Ø 550 mm for the 12,500-liter tank



Dual-function air vent (breather) designed for use with pumping systems with a flow rate below 10 m³/h.

Above this limit, the integrity of the product may be compromised (risk of tank cracking).

3 upper connection points allowing optimized tank filling.

Please note: only one flat area on the 10,000-liter tank, and no flat area on the 12,500-liter tank.



Area designed for mounting a safety ladder with cage (for 7,500 L, 10,000 L and 12,000 L tanks only).

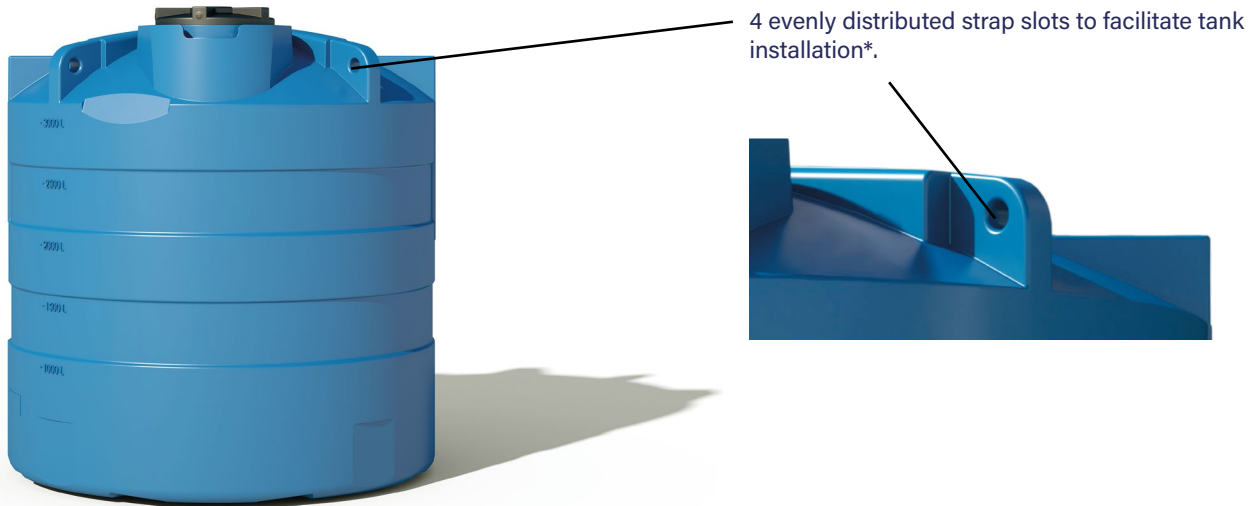
Flat area for ladder installation.

Please note: this flat area is not available on the 12,500-liter tank.

Molded-in liter **graduations** over the full height of the tank

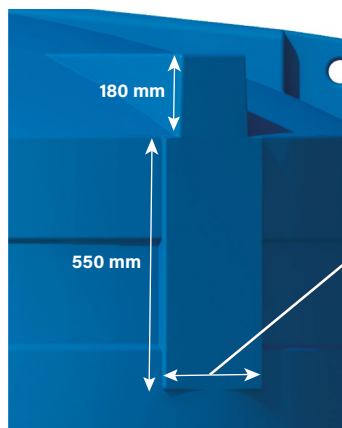
Main flat area on the lid side, with a molded-in 2 male brass insert (only for 7,500 L, 10,000 L and 12,500 L tanks).





4 evenly distributed strap slots to facilitate tank installation*.

*Warning: tanks must be handled empty only.



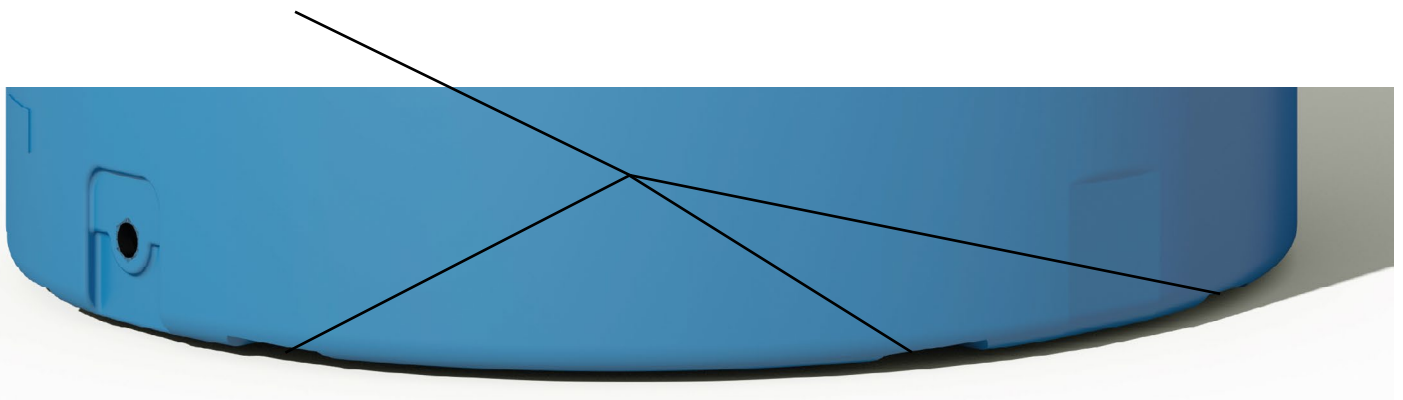
Flat area dimensions:
150 mm for the 3,000-liter tank,
and 200 mm for the 5,000, 7,500, and 10,000-liter tanks.

Flat areas for valve installation.

4 flat areas are evenly distributed around the tank. The main flat area is equipped with a molded-in 2 brass insert for the 7,500 L, 10,000 L, and 12,500 L tanks.



8 forklift entry points to facilitate handling and movement of the empty tank.



ABOVE-GROUND TANK - 3 000 LITERS

Available in 3 versions:

A - Gentian blue (TEIN004 - Close to RAL 7016) - Ref. CUVEAER3000L002F

B - Grey anthracite (TEI002 - Close to RAL 5010) - Ref. CUVEAR3000L004F

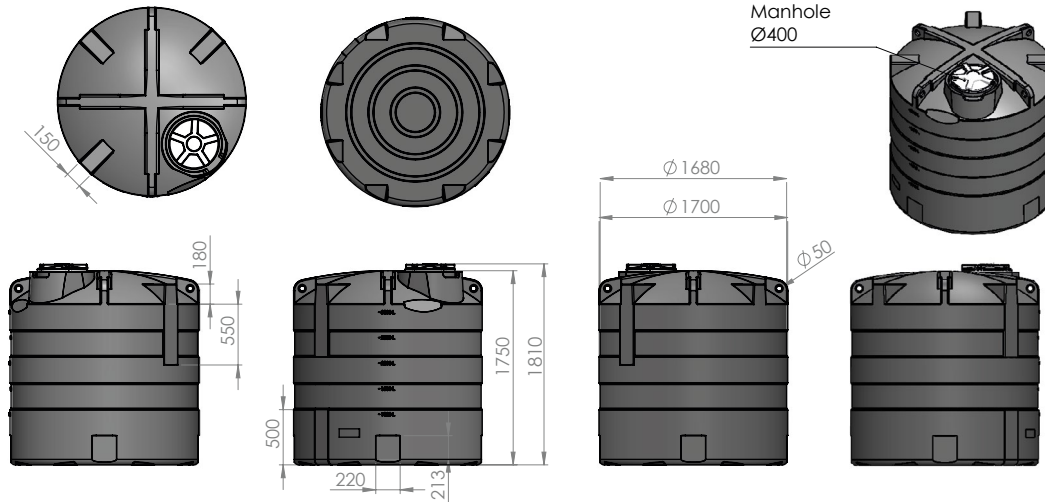
C - ACS-certified tank (TEIN002) - Ref. CUVEAER3000LACS002F

Technical Information:

Dimensions : \varnothing : 1 700mm x Height: 1 810 mm

Gross weight: 80 kg

Manhole: 400 mm



ABOVE-GROUND TANK - 5 000 LITERS

Available in 2 versions:

A - Gentian blue (TEIN004 - Close to RAL 7016) - Ref. CUVEAER5000L002F

B - Grey anthracite (TEI002 - Close to RAL 5010) - Ref. CUVEAR5000L004F

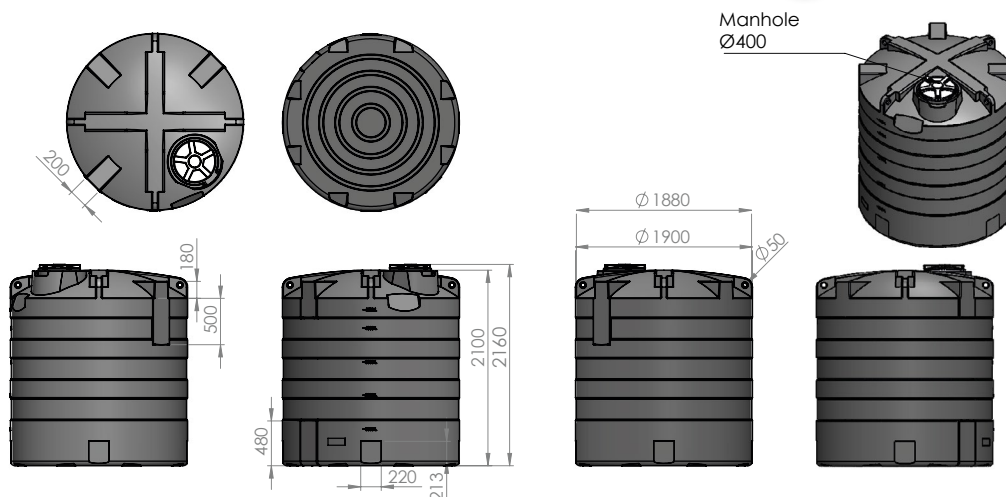
C - ACS-certified tank (TEIN002) - Ref. CUVEAER5000LACS002F

Technical Information:

Dimensions : \varnothing : 1 900 mm x Height: 2 160 mm

Gross weight: 130 kg

Manhole: 400 mm



ABOVE-GROUND TANK - 7 500 LITERS

Available in 2 versions:

- A - Gentian blue (TEIN004 - Close to RAL 7016) - Ref. CUVEAER7500L002F
- B - Grey anthracite (TEI002 - Close to RAL 5010) - Ref. CUVEAR7500L004F
- C - ACS-certified tank (TEIN002) - Ref. CUVEAER7500LACS002F

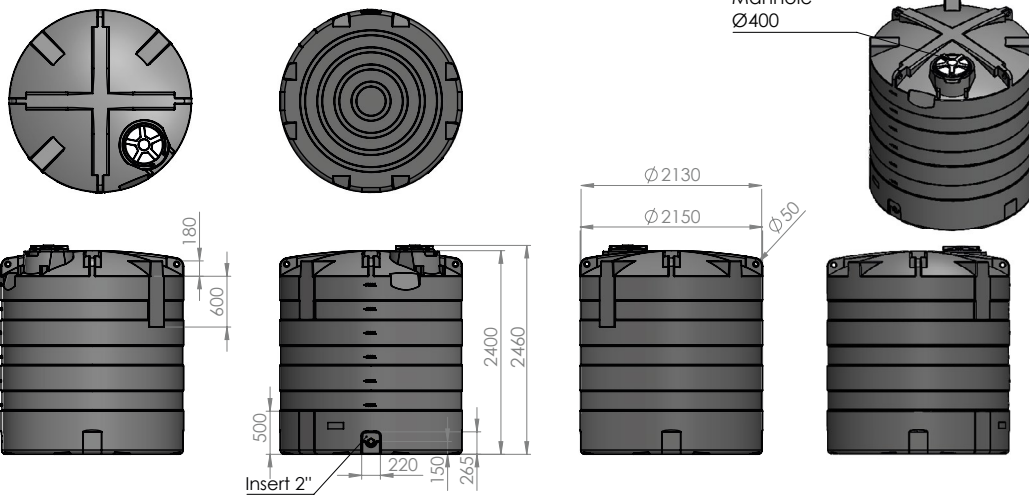
Technical Information:

Dimensions: Ø: 2 150mm x Height: 2 460 mm
 Gross weight: 180 kg
 Manhole: 400 mm



B

Manhole
Ø400



ABOVE-GROUND TANK - 10 000 LITERS

Available in 2 versions:

- A - Gentian blue (TEIN004 - Close to RAL 7016)
Ref. CUVEAER10000L002F
- B - Grey anthracite (TEI002 - Close to RAL 5010)
Ref. CUVEAR10000L004F
- C - ACS-certified tank (TEIN002)
Ref. CUVEAER10000LACS002F

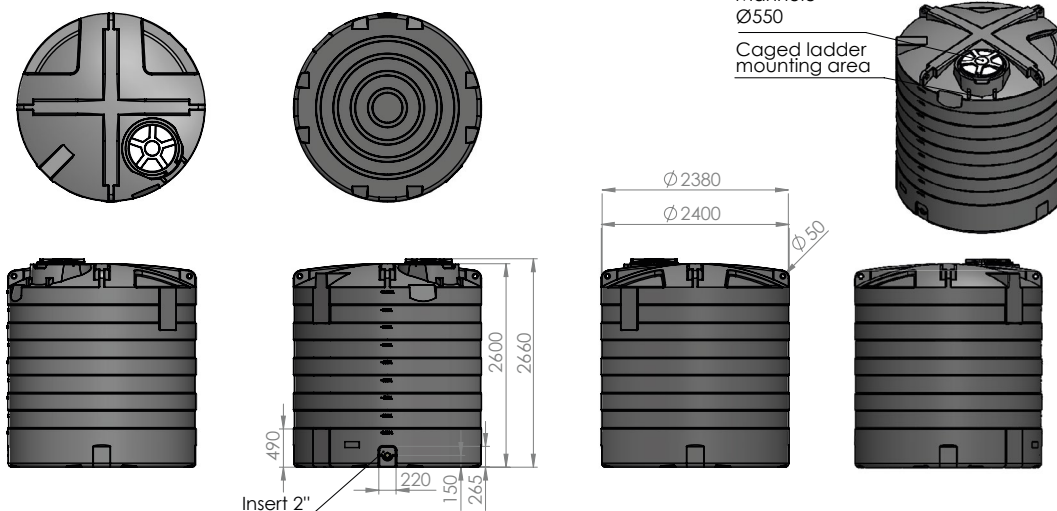
Technical Information:

Dimensions : Ø: 2 400 mm x Height: 2 660 mm
 Gross weight: 250 kg
 Manhole: 550 mm



B

Manhole
Ø550
Caged ladder
mounting area



ABOVE-GROUND TANK - 12 500 LITERS

Available in 2 versions:

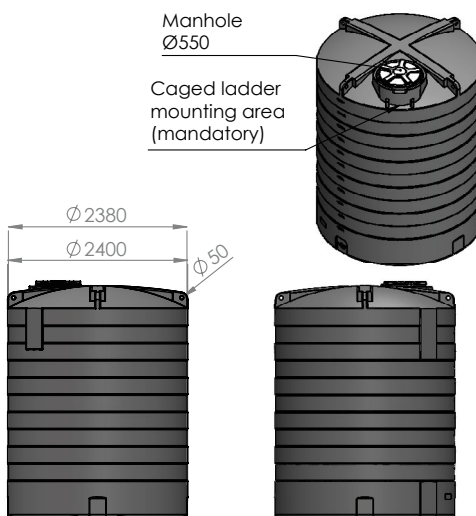
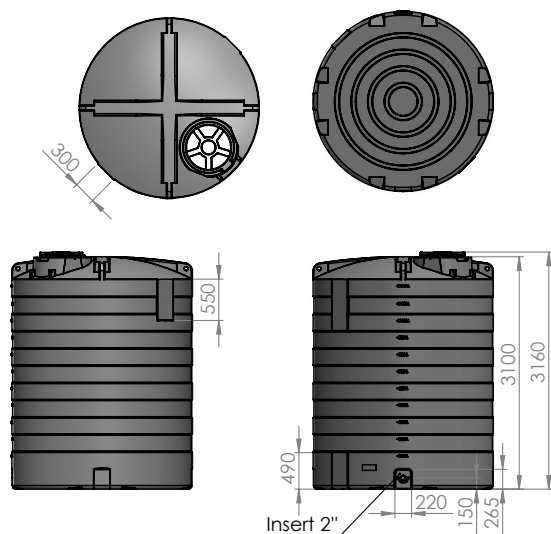
- A - Gentian blue (TEIN004 - Close to RAL 7016) - Ref. CUVEAR12500L002F**
- B - Grey anthracite (TEI002 - Close to RAL 5010) - Ref. CUVEAR12500L004F**
- C - ACS-certified tank (TEIN002) - Ref. CUVEAR12500LACS002F**

Technical Information:

Dimensions : Ø: 2 400 mm x Height: 3 160 mm

Gross weight: 300 kg

Manhole: 550 mm



“Drain valve” kit - DN50 and DN80

Ball valve + tank wall fitting

Threaded ball valve PN10 - female threaded - DN50 / 2»

PVC bulkhead fitting PN10 - male threaded - DN50 / 2»

Ref. CUVEAERKITDN50POMPAG

Threaded ball valve PN10 - female threaded - DN80 / 3»

PVC bulkhead fitting PN10 - male threaded - DN80 / 3»

Ref. CUVEAERKITDN80V



OPTIONS

Connection kit for DN50 molded-in insert of above-ground tanks

Male/male nipple DN50 + threaded ball valve PN10, female threaded.

Kit suitable only for 7,500 L, 10,000 L, and 12,500 L tanks equipped with a molded-in 2» brass insert.

Ref. CUVEAERKITD50INSERT



Valve support for DN50 or DN80 kits

Ref. : CUVEAERSUPPORTVANNE



Caged ladder **

For 10,000 L tank

Ref. : CUVEAERCRINOL10000

For 12,500 L tank

Ref. : CUVEAERCRINOL1250



** Non-contractual photo

NIAGARA ABOVE-GROUND RAINWATER COLLECTORS

These rainwater collectors are made from high-density polyethylene, color-molded and UV-stabilized.

- Their cylindrical shape reduces ground footprint while maximizing storage capacity.
- Two 20/27 connections allow for drainage or linking multiple units.
- Brass tap 15/21.
- Cap diameter: 130 mm.
- Finish: Ivory, moss green, or anthracite grey.
- Impact-resistant.
- Operating temperature: -30°C to +60°C.

As an option, the connection kit allows multiple Niagara units to be linked together to increase storage capacity.

The collector recovers and filters rainwater thanks to its polyethylene filter grid (for gutters Ø80 or 100 mm).



Niagara - 300 LITERS

Available in 3 versions:

A - Ivory (TEIN010 - Close to RAL 1015)

Ref. NIAGARA300010F

B - Moss Green (TEIN013 - Close to RAL 6005)

Ref. NIAGARA300013F

C - Anthracite grey (TEIN004 - Close to RAL 7016)

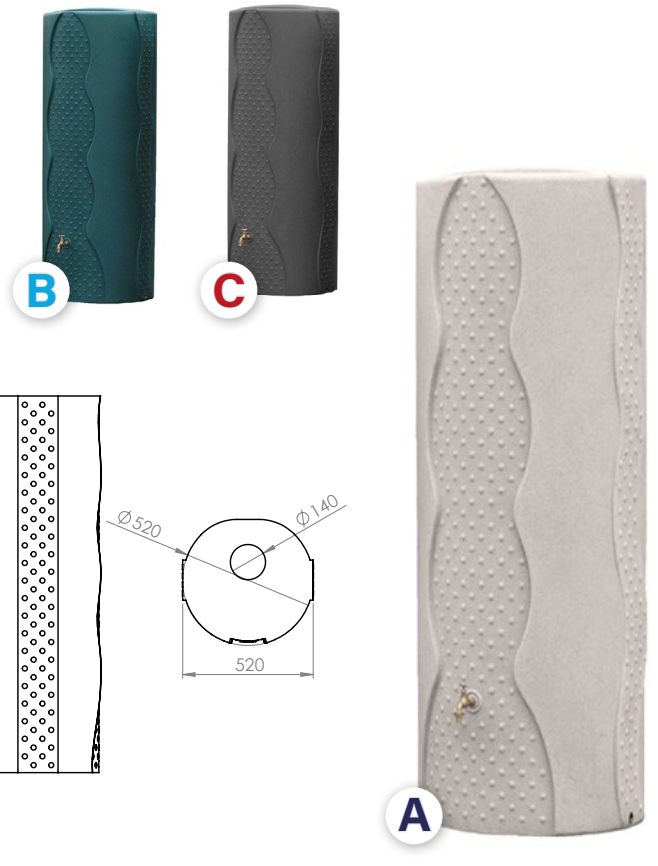
Ref. NIAGARA300004F

Technical Information:

Dimensions : Ø: 520 mm x Height: 1 500 mm

Gross weight: 20 kg

Capacity : 300 L



Grey gutter collector

A - COLLGOUTGreyF

B - COLLGOUTIvoryF

Description

Filter collector for DN 80/100 gutters

Material: **Plastic**

Product dimensions (H x W x D in cm): **18 x 10,7 x 14,5**

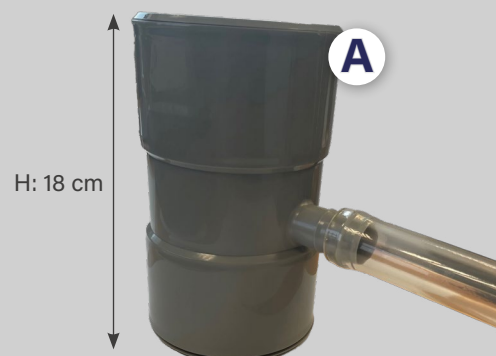
Benefits

Quick and easy installation

Automatic overflow system

Suitable for gutters with a diameter of 80 or 100 mm

Equipped with a filter



OPTIONS



Niagara - 750 LITERS

Available in 3 versions:

A - Ivory (TEIN010 - Close to RAL 1015) - Ref. NIAGARA750010F

B - Moss Green (TEIN013 - Close to RAL 6005) - Ref. NIAGARA750013F

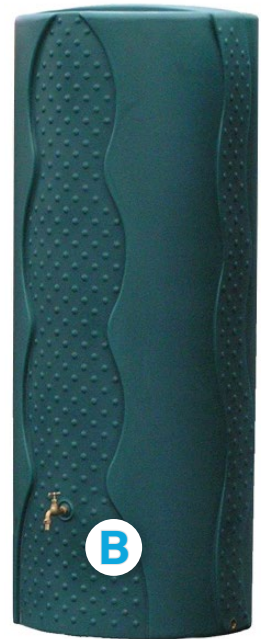
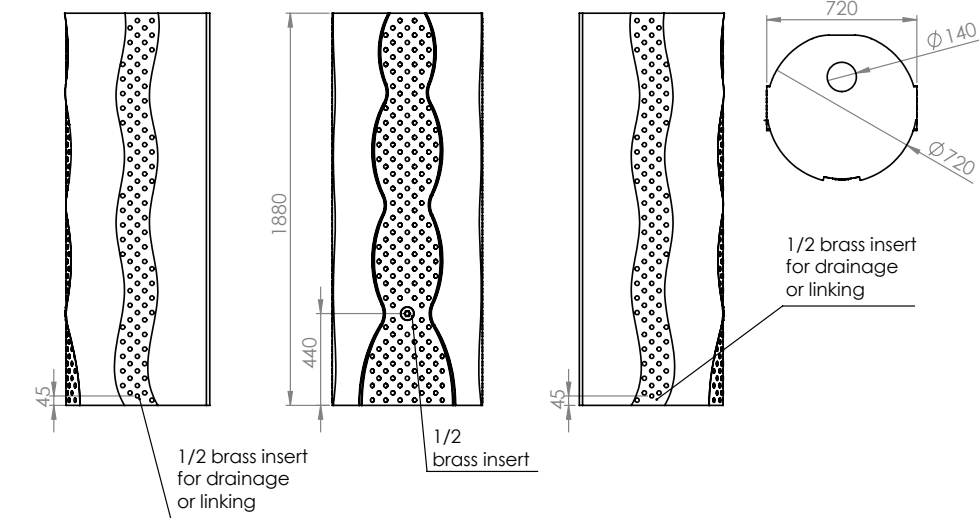
C - Grey anthracite (TEIN004 - Close to RAL 7016) - Ref. NIAGARA750004F

Technical Information:

Dimensions : \varnothing : 720 mm x Height: 1 880 mm

Gross weight: 35 kg

Capacity : 750 L



Niagara - 1 000 Liters

Available in 3 versions:

A - Ivory (TEIN010 - Close to RAL 1015) - Ref. NIAGARA1000010F

B - Moss Green (TEIN013 - Close to RAL 6005) - Ref. NIAGARA1000013F

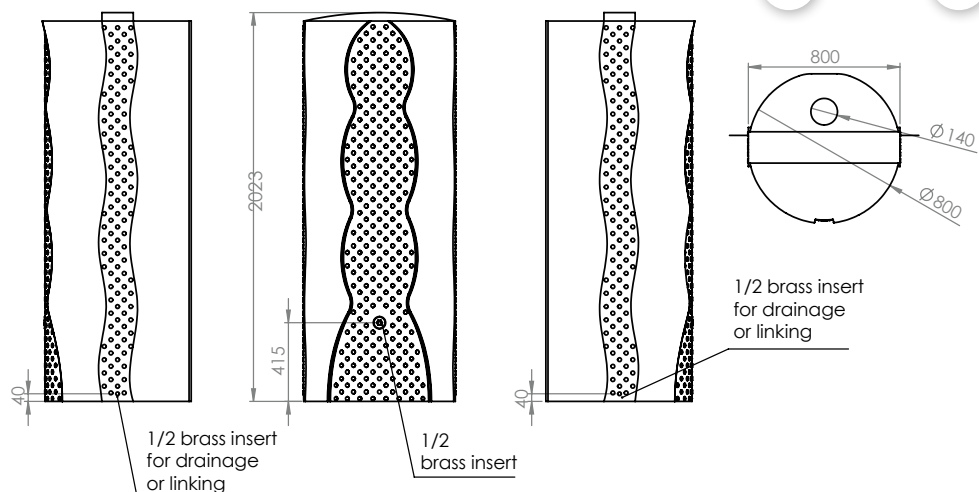
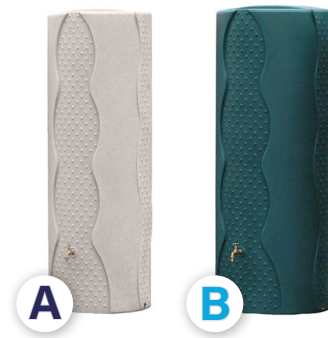
C - Grey anthracite (TEIN004 - Close to RAL 7016) - Ref. NIAGARA1000004F

Technical Information:

Dimensions : \varnothing : 800 mm x Height: 2 023 mm

Gross weight: 45 kg

Capacity : 1 000 L



TANKS FOR WATER STORAGE

- Reduced footprint for limited spaces
- Screw-on lid on the top section
- Drain plug
- ACS-certified for drinking water storage
- Flat area on the tank for positioning a pump

WATER TANK - 500 LITERS

Available in 2 versions:

A - 500 L Cistern (Grey) - Ref. CIT500/800004F

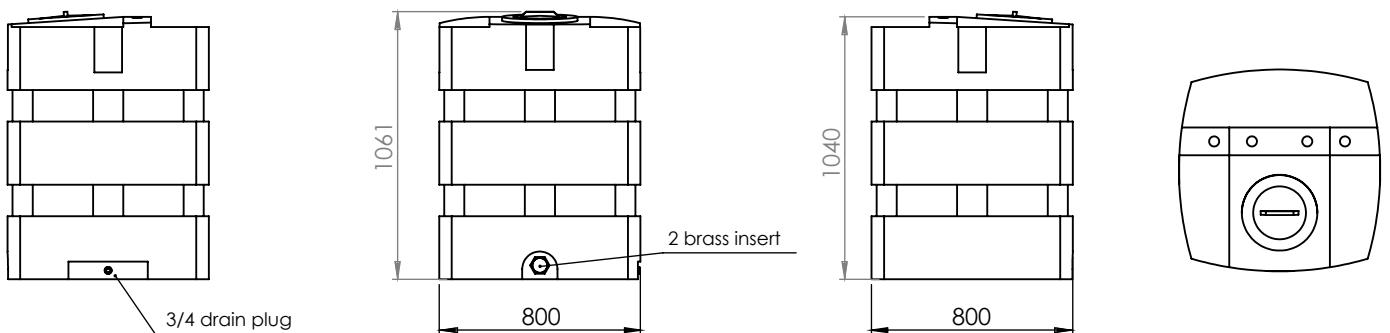
B - 500 L ACS Cistern (blue) - Ref. CIT500/800ACS002F

Technical Information:

Screw cap: \varnothing 250 mm

Dimensions (L x W x H): 800 x 800 x 1061 mm

3/4 drain plug at the bottom



WATER TANK - 1000 LITERS

Available in 2 versions:

A - 1000 L Cistern (Grey) - Ref. CIT1000/800004F

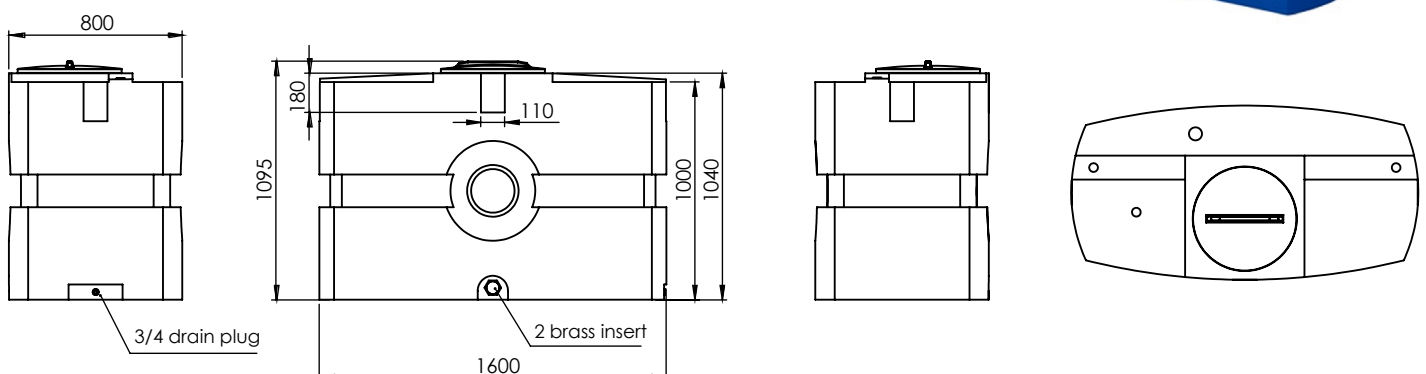
B - 1000 L ACS Cistern (blue) - Ref. CIT1000/800ACS002F

Technical Information:

Screw cap: \varnothing 400 mm

Dimensions (L x W x H): 1600 x 800 x 1095 mm

At the bottom: 3/4 drain plug and 2 brass insert



DOSING TANK

- 3 capacities available: 50, 100, and 250 liters
- 100% HDPE in translucent white
- Molded-in graduations for 100 and 250 liter models
- Clip-on lid for 50 and 100 liter models, screw-on lid for the 250 liter model
- Flat surface on the top for positioning of a pump
- Undrilled 3/4" threaded outlet at the bottom



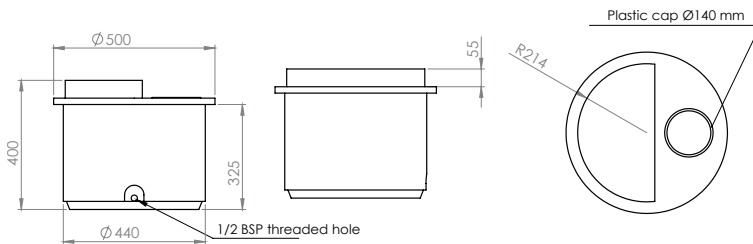
DOSING TANK - 50 LITERS

50 L TANK - Ref. REDOS50000F

Technical Information:

Capacity : 50 L

Dimensions : Ø : 500 x Height: 400 mm



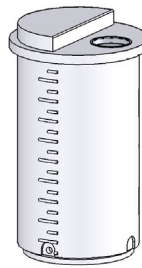
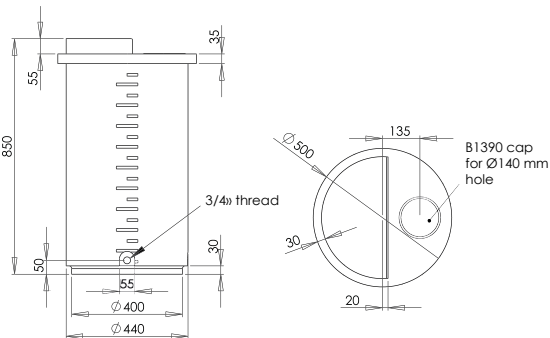
DOSING TANK - 100 LITERS

100 L TANK - Ref. REDOS100000F

Technical Information:

Capacity : 100 L

Dimensions : Ø : 500 x Height: 850 mm



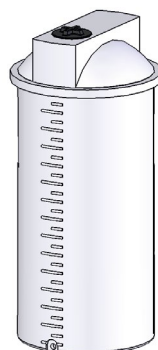
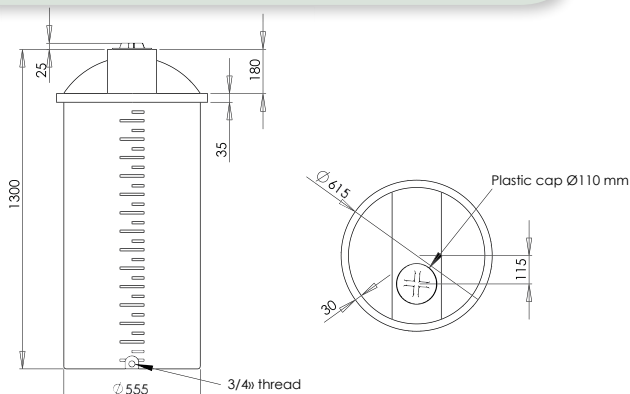
DOMED-LID DOSING TANK - 250 LITERS

250 L TANK - Ref. REDOS250B000F

Technical Information:

Capacity : 250 L

Dimensions : Ø : 615 x Height: 1 300 mm



SELF-SUPPORTING TANKS FOR WATER STORAGE

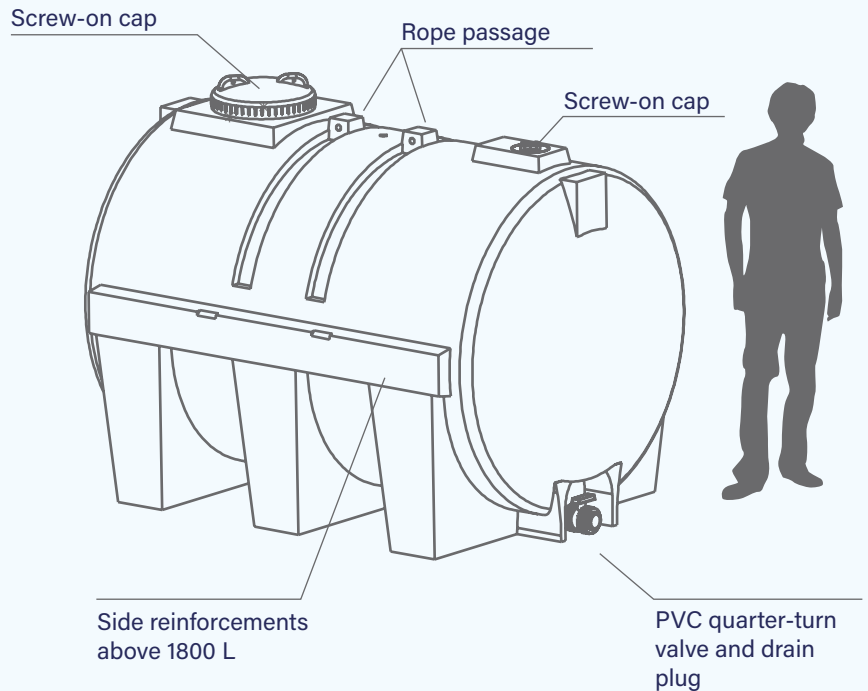
These collectors are made from high-density polyethylene, color-molded and UV-stabilized. Ideal for rainwater collection, they can also be transported on agricultural frames. Above 2,900 L, strap slots are provided to allow movement of the empty tank.

These collectors can also be used as self-supporting tanks. A reinforced option is available:

- For transporting liquids with a density of 1;
- Or for storing liquids with a density of 1.4.

Technical information - suitable for transporting liquids with a density of 1

- Screw-on lid Ø 140 mm (140, 270 and 450 L) or Ø 400 mm (from 1,800 to 5,600 L)
- PVC quarter-turn valve
- Full drain plug: 3/4»
- Finish: green or grey (reinforced range)



SELF-SUPPORTING ABOVE-GROUND CISTERNS

Self-supporting tank - 140 liters

Available in 2 versions:

A - Standard model - Ref. CIT140ST013F

B - Reinforced model - Ref. CIT140RF004F

Screw-on lid Ø 140 mm.

PVC quarter-turn valve Ø 20 mm.

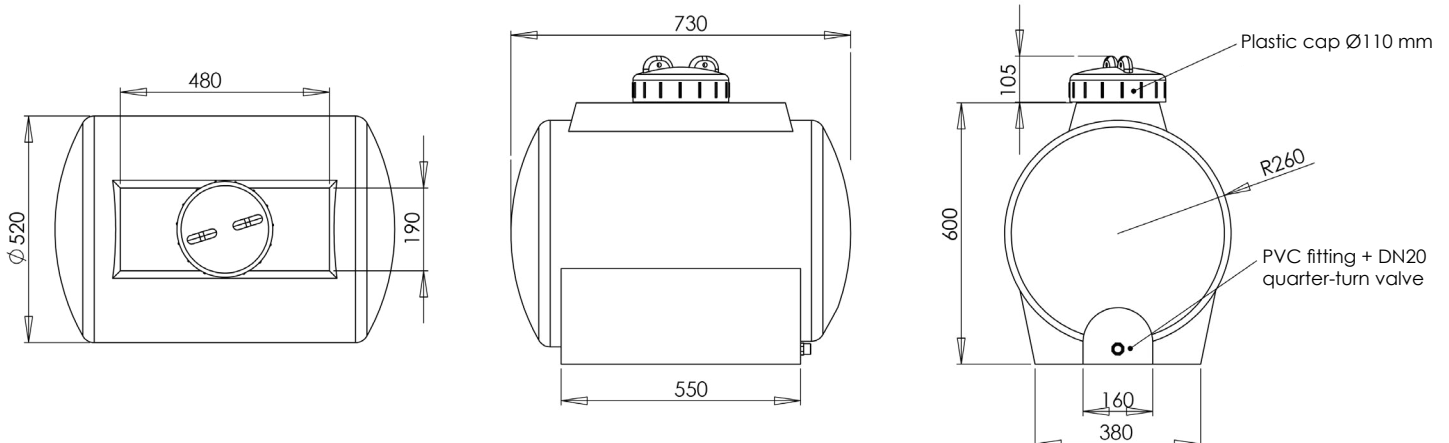
Can be mounted on a frame.

Finish: **Moss Green** (TEIN013 - Close to RAL 6005) ou **Anthracite Grey** (TEIN004 - Close to RAL 7016).

Technical Information:

Dimension (L x W x H) : 730 x 520 x 705 mm

Capacity : 140 L



SELF-SUPPORTING TANK - 270 LITERS

Available in 2 versions:

A - Standard model - Ref. CIT270ST013F

B - Reinforced model - Ref. CIT270RF004F

Screw-on lid \varnothing 140 mm.

PVC quarter-turn valve \varnothing 20 mm.

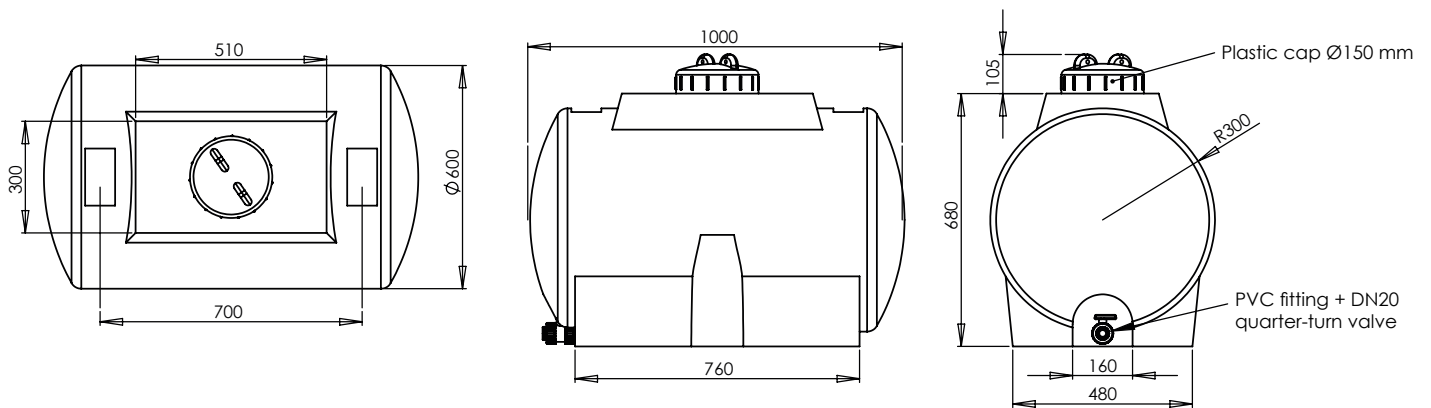
Can be mounted on a frame.

Finish: **Moss Green** (TEIN013 - Close to RAL 6005) ou
Anthracite Grey (TEIN004 - Close to RAL 7016).

Technical Information:

Dimension (L x W x H): **1000 x 600 x 785 mm**

Capacity : **270 L**



SELF-SUPPORTING TANK - 450 LITERS

Available in 2 versions:

A - Standard model - Ref. CIT450ST013F

B - Reinforced model - Ref. CIT450RF004F

Screw-on lid \varnothing 140 mm.

PVC quarter-turn valve \varnothing 20 mm.

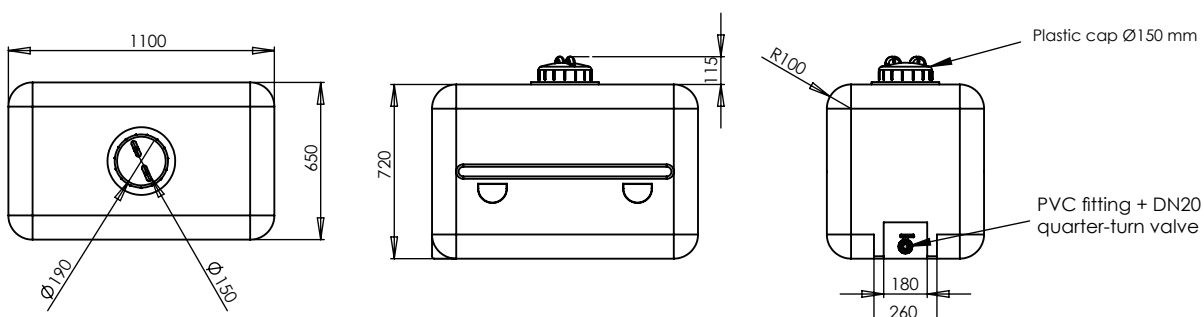
Can be mounted on a frame.

Finish: **Moss Green** (TEIN013 - Close to RAL 6005) ou
Anthracite Grey (TEIN004 - Close to RAL 7016).

Technical Information:

Dimension (L x W x H): **1100 x 650 x 835 mm**

Capacity : **450 L**



SELF-SUPPORTING TANK - 650 LITERS

Available in 2 versions:

A - Standard model - Ref. CIT650ST013F

B - Reinforced model - Ref. CIT650RF004F

Screw-on lid Ø 140 mm.

PVC quarter-turn valve Ø 20 mm.

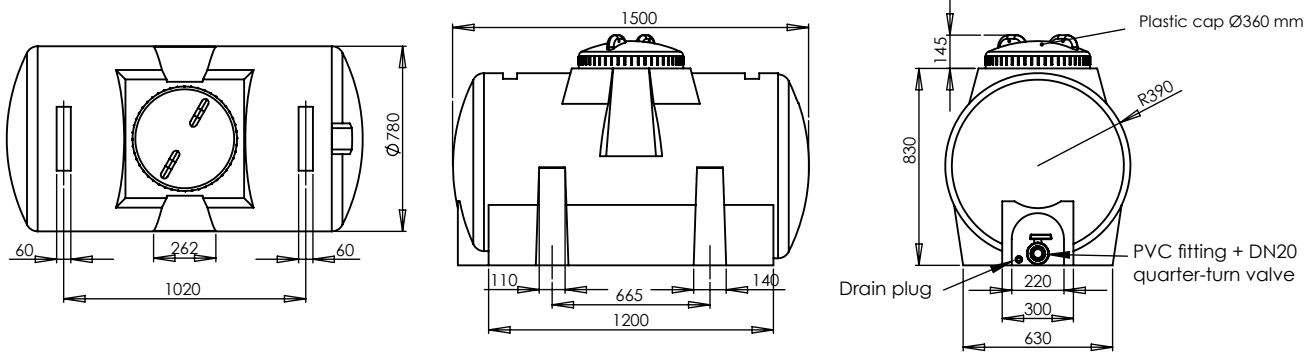
Can be mounted on a frame.

Finish: **Moss Green** (TEIN013 - Close to RAL 6005) ou
Anthracite Grey (TEIN004 - Close to RAL 7016).

Technical Information:

Dimension (L x W x H): **1500 x 780 x 975 mm**

Capacity : **650 L**



SELF-SUPPORTING TANK - 1 200 LITERS

Available in 2 versions:

A - Standard model - Ref. CIT1200ST013F

B - Reinforced model - Ref. CIT1200RF004F

Screw-on lid Ø 140 mm.

PVC quarter-turn valve Ø 20 mm.

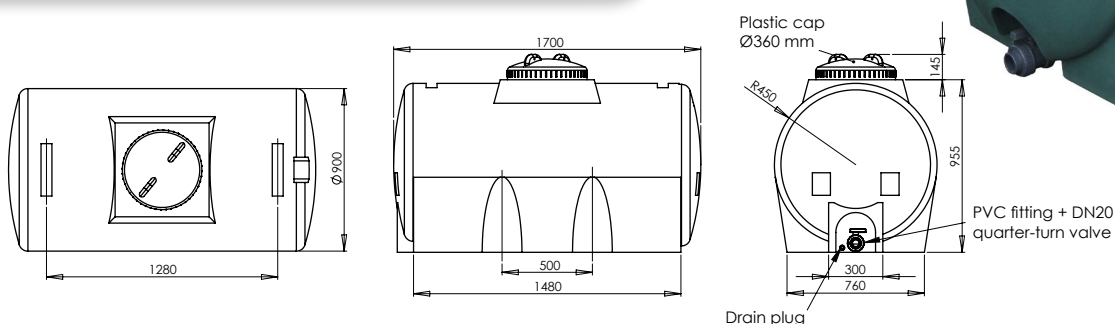
Can be mounted on a frame.

Finish: **Moss Green** (TEIN013 - Close to RAL 6005) ou
Anthracite Grey (TEIN004 - Close to RAL 7016).

Technical Information:

Dimension (L x W x H): **1700 x 900 x 1100 mm**

Capacity : **1 200 L**



SELF-SUPPORTING TANK - 1 800 LITERS

Available in 2 versions:

A - Standard model - Ref. CIT1800ST013F

B - Reinforced model - Ref. CIT1800RF004F

Screw-on lid Ø 140 mm.

PVC quarter-turn valve Ø 20 mm.

Can be mounted on a frame.

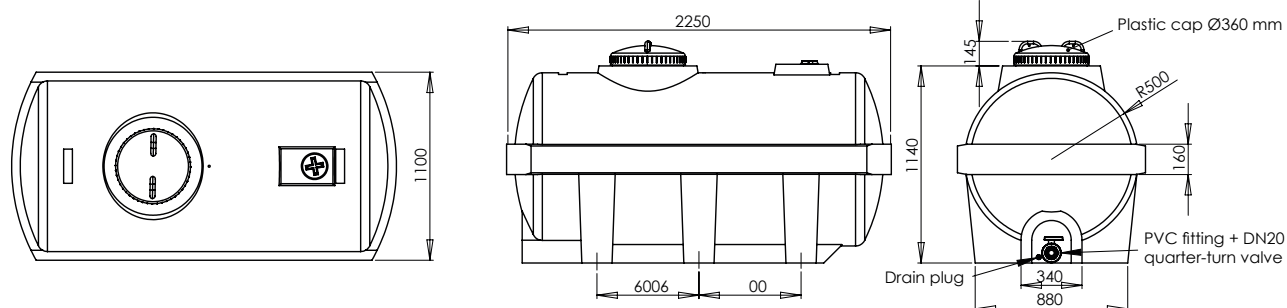
Finish: **Moss Green** (TEIN013 - Close to RAL 6005) ou

Anthracite Grey (TEIN004 - Close to RAL 7016).

Technical Information:

Dimension (L x W x H): **2250 x 1100 x 1285mm**

Capacity : **1 800 L**



SELF-SUPPORTING TANK - 2 900 LITERS

Available in 2 versions:

A - Standard model - Ref. CIT2900ST013F

B - Reinforced model - Ref. CIT2900RF004F

Screw-on lid Ø 140 mm.

PVC quarter-turn valve Ø 20 mm.

Can be mounted on a frame.

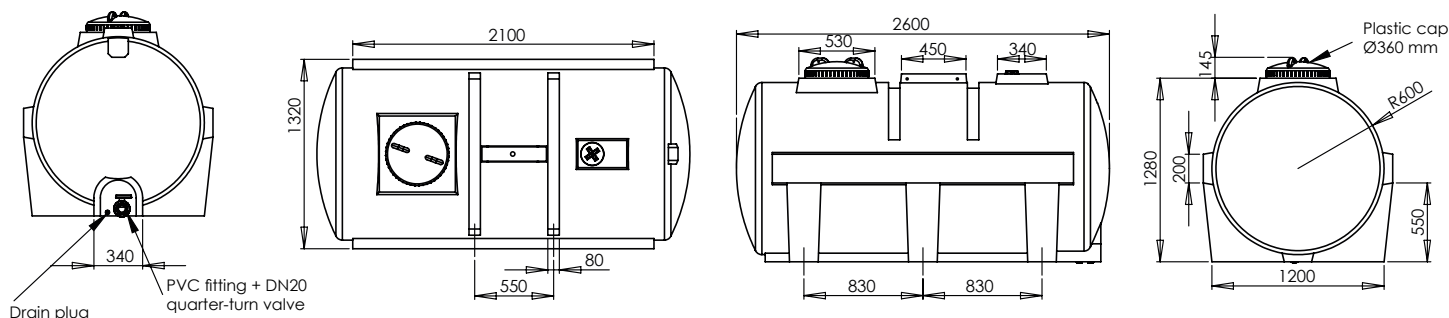
Finish: **Moss Green** (TEIN013 - Close to RAL 6005) ou

Anthracite Grey (TEIN004 - Close to RAL 7016).

Technical Information:

Dimension (L x W x H): **2600 x 1320 x 1425 mm**

Capacity : **2 900 L**



SELF-SUPPORTING TANK - 4 000 LITERS

Available in 2 versions:

A - Standard model - Ref. CIT4000ST013F

B - Reinforced model - Ref. CIT14000RF004F

Screw-on lid Ø 140 mm.

PVC quarter-turn valve Ø 20 mm.

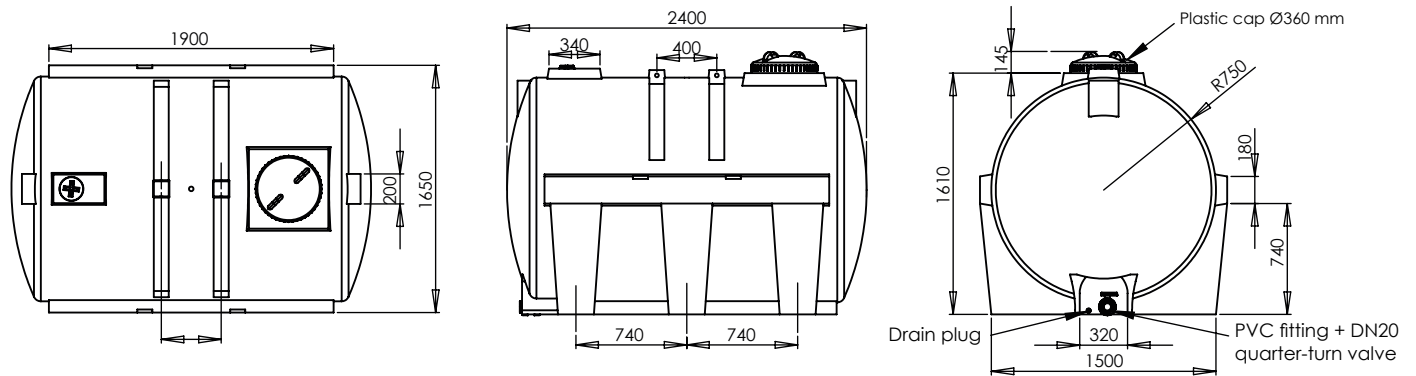
Can be mounted on a frame.

Finish: **Moss Green** (TEIN013 - Close to RAL 6005) ou
Anthracite Grey (TEIN004 - Close to RAL 7016).

Technical Information:

Dimension (L x W x H): **2400 x 1650 x 1755 mm**

Capacity : **4 000 L**



SELF-SUPPORTING TANK - 5 600 LITERS

Reinforced model - Ref. CIT5900RF004F

Screw-on lid Ø 140 mm.

PVC quarter-turn valve Ø 20 mm.

Can be mounted on a frame.

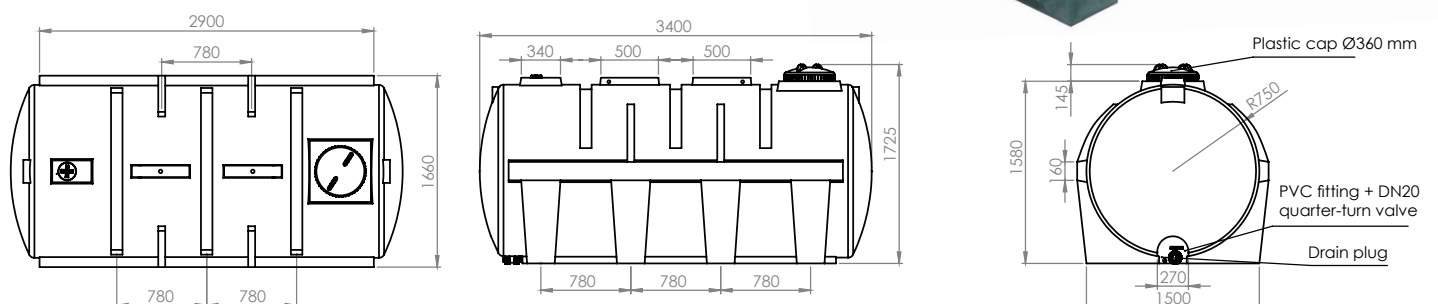
Finish: **Moss Green** (TEIN013 - Close to RAL 6005) ou
Anthracite Grey (TEIN004 - Close to RAL 7016).

Available only in reinforced model (max density 1.4)

Technical Information:

Dimension (L x W x H): **3400 x 1660 x 1725 mm**

Capacity : **5 900 L**



ULTRA-FLAT UNDERGROUND TANK - 7 500 LITERS

Available in 3 versions:

A - Ref. 7500CEPHN004 - 7 500 L extra-flat underground tank, supplied without accessories, without inlet/outlet Anthracite grey TEIN004 - Green lid TEIN012

B - Ref. 7500CEPH004 - 7 500 L extra-flat underground tank, supplied without accessories, with inlet/outlet Anthracite Grey TEIN004 - Green lid TEIN012

C - Ref. 7500CEPHB004 - 7 500 L extra-flat underground tank with HYDROBASIC filtration kit - Anthracite Grey TEIN004 Green lid TEIN012

Tank for rainwater collection and storage (or fluids with a density of 1).
Also acts as a buffer during heavy rainfall.
Its low height (1.40 m) reduces excavation work.
One-piece construction and design for high resistance to pressure.
Can also be used as an above-ground tank (installed on the ground).
Supplied without pump.

Technical Information:

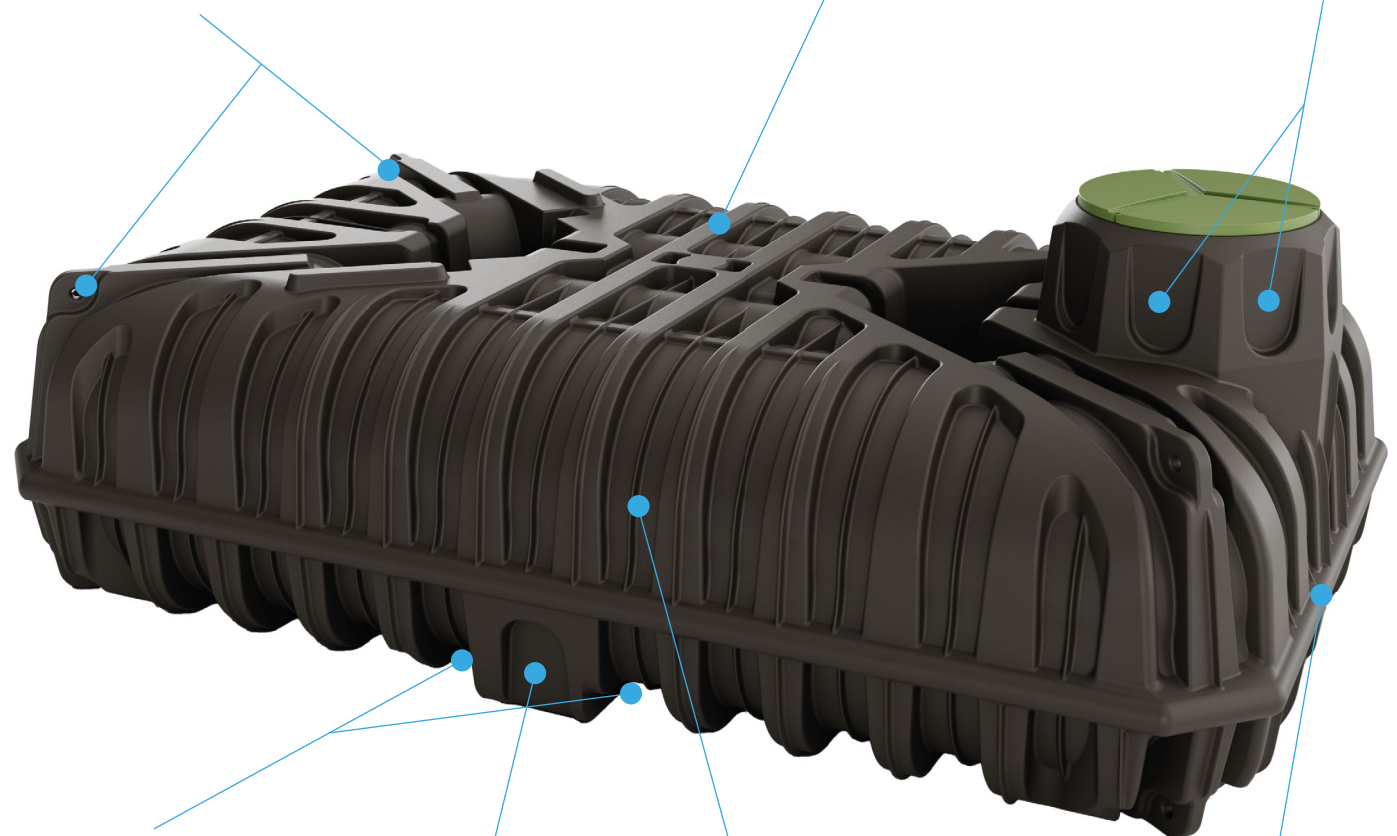
- 100% recyclable HDPE
- 4 lifting lugs for installation
- 4 anchoring points
- Forklift entry for loading and unloading
- Optional filtration system
- Optional extension riser

NEW
2026

Optimized design for greater pressure resistance

Multiple faces for inlet and outlet connections

Lifting lugs for installation and handling



Forklift entry for unloading

4 connection points for linking

100% recyclable HDPE

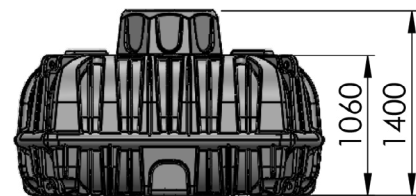
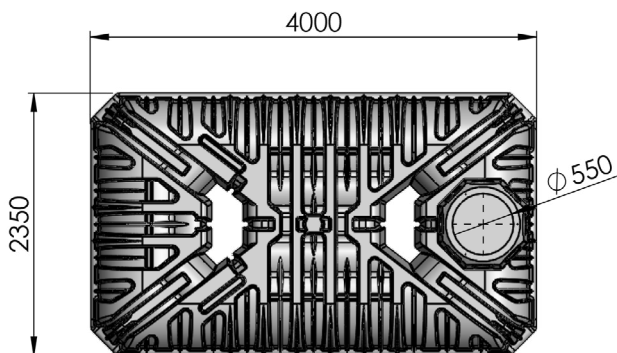
Reduced height to optimize civil engineering work

PRODUCT BENEFITS

- Can be linked together on all 4 sides
- Stackable for transport
- Multiple inlet and outlet options



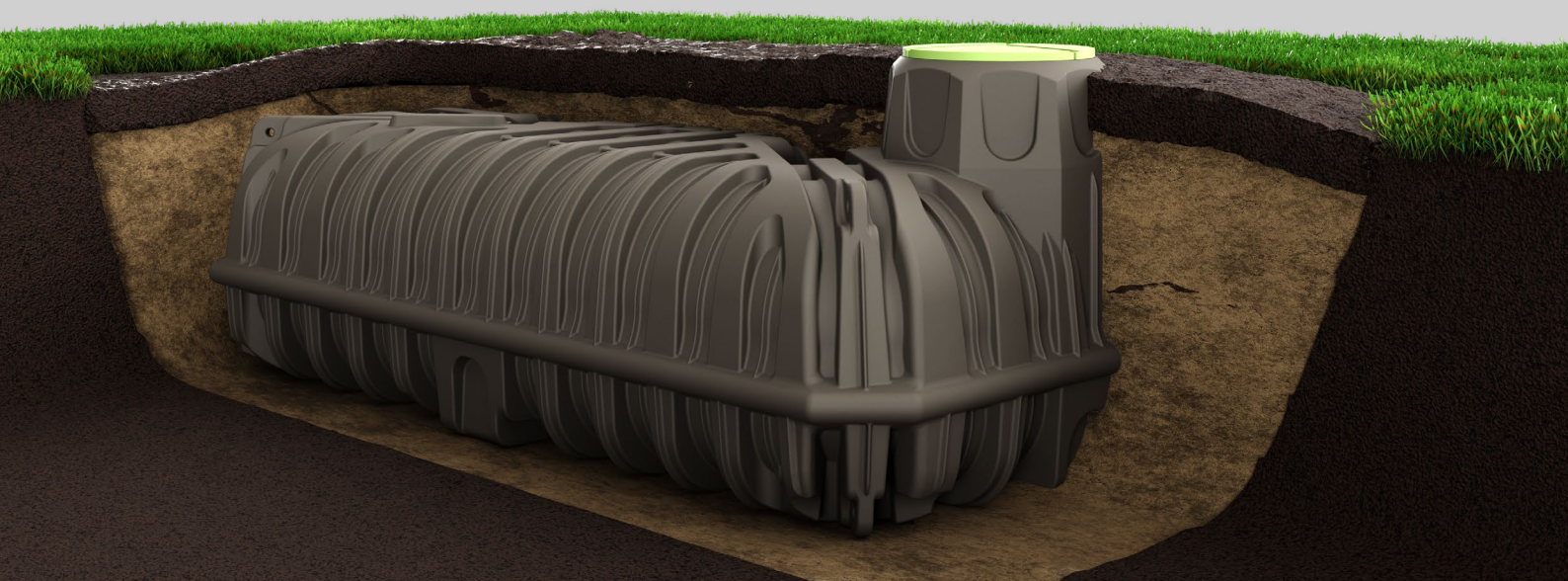
FOR TANK INSTALLATION, IT IS ESSENTIAL TO FOLLOW THE INSTALLATION INSTRUCTIONS PROVIDED UPON DELIVERY.



Complete HYDROBASIC filtration kit for 10,000 L underground tank (10000HB002F)

Kit contents:

- One filter basket with stainless steel mesh
- One siphon
- DN100 inlet/outlet connections
- One calming inlet at the bottom



UNDERGROUND TANKS FOR RAINWATER COLLECTION

Rainwater harvesting using underground tanks provides a sustainable solution for alternative water management, meeting current environmental standards (RT 2012, RE 2020, local regulations, etc.).

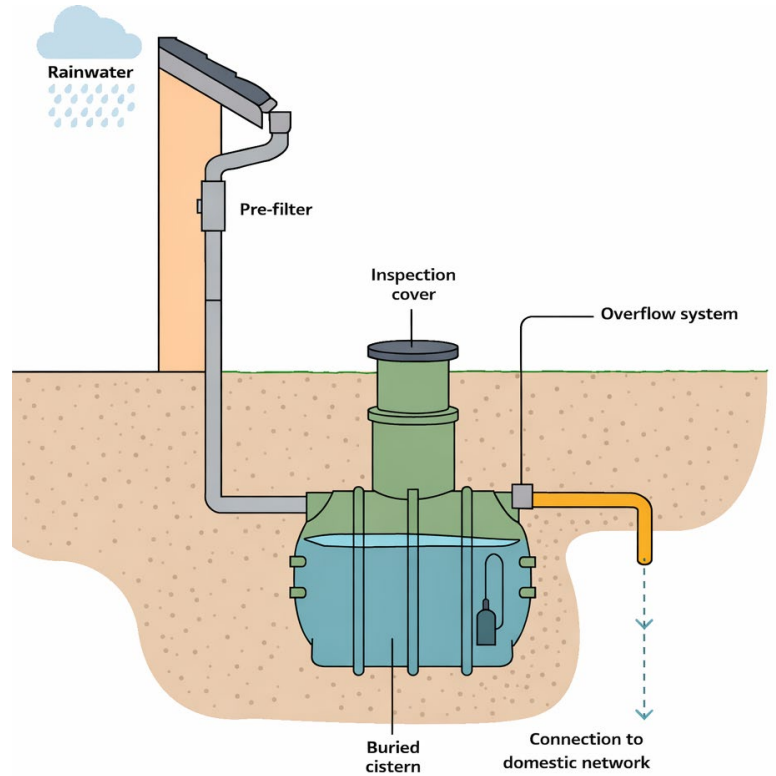
This system allows the use of non-drinkable water for domestic, industrial, or agricultural purposes while reducing the load on wastewater networks.

Technical description:

Our underground tank is a one-piece, watertight, seamless reservoir made of high-density polyethylene (HDPE), which must be installed at a sufficient depth to ensure thermal and mechanical protection. Capacities range from 3,000 L to 10,000 L.

Our tanks include:

- Water inlet: connected to downpipes via a leaf pre-filter (optional)
- Overflow system connected to the stormwater or infiltration network
- To adjust the burial depth, extension risers are available as an option



UNDERGROUND TANK - 3 000 LITERS

Available in 2 versions:

A - With inlet/outlet only - Ref. 3000H002F

B - With inlet/outlet + filtration kit - Ref. 3000HB002F

3 000 L underground rainwater collector

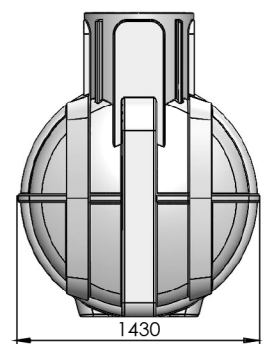
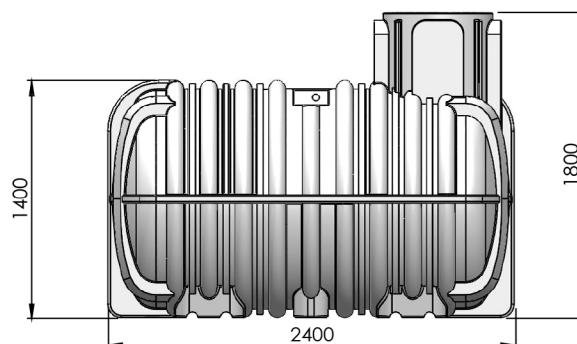
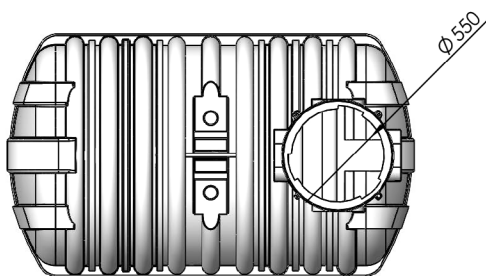
Technical Information:

Dimensions (L x W x H): 2400 x 1430 x 1800 mm

Finish: **Gentian blue (TEIN 0002 - RAL5010)**

Capacity : **3 000 L**

Screw-on lid: **Mint green (TEIN012 - RAL6029)**



UNDERGROUND TANK - 5 000 LITERS

Available in 2 versions:

A - With inlet/outlet only - Ref. 5000H002F

B - With inlet/outlet + filtration kit - Ref.5000HB002F

5 000 L underground rainwater collector

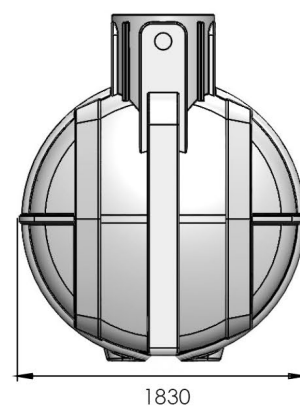
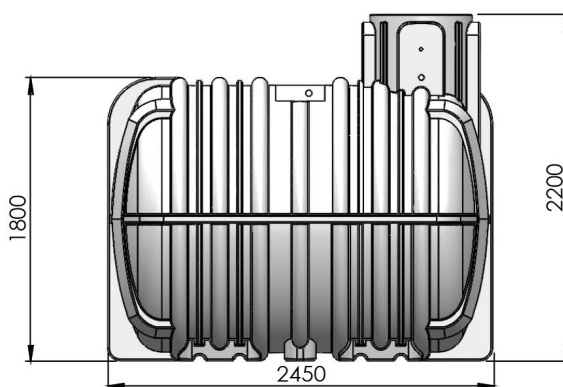
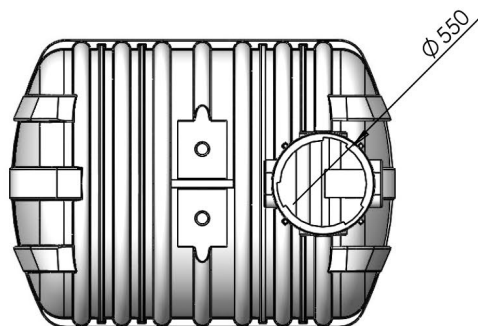
Technical Information:

Dimension (L x W x H): 2450 x 1830 x 2200 mm

Finish: **Gentian blue (TEIN 0002 - RAL5010)**

Capacity : **5 000 L**

Screw-on lid: **Mint green (TEIN012 - RAL6029)**



UNDERGROUND TANK - 10 000 LITERS

Available in 2 versions:

A - With inlet/outlet only - Ref. 10000H002F

B - With inlet/outlet + filtration kit - Ref.10000HB002F

10 000 L underground rainwater collector

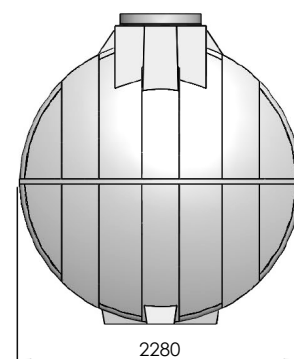
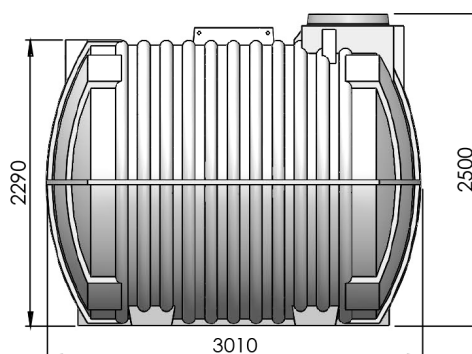
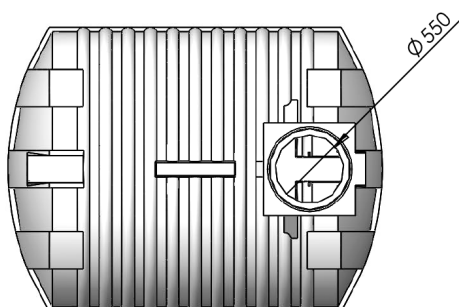
Technical Information:

Dimension (L x W x H): 3010 x 2280 x 2500 mm

Finish: **Gentian blue (TEIN 0002 - RAL5010)**

Capacity : **10 000 L**

Screw-on lid: **Mint green (TEIN012 - RAL6029)**



Extension riser system for 3 000 and 5 000 L tanks

Ref. REHAUSSECITTEL002F

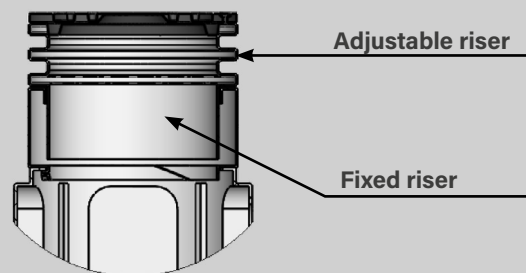
For these two models, the system includes one fixed riser and one adjustable riser.

The standard lid screws onto the adjustable riser.

The risers allow the tank access point to be levelled, making inspections easier.

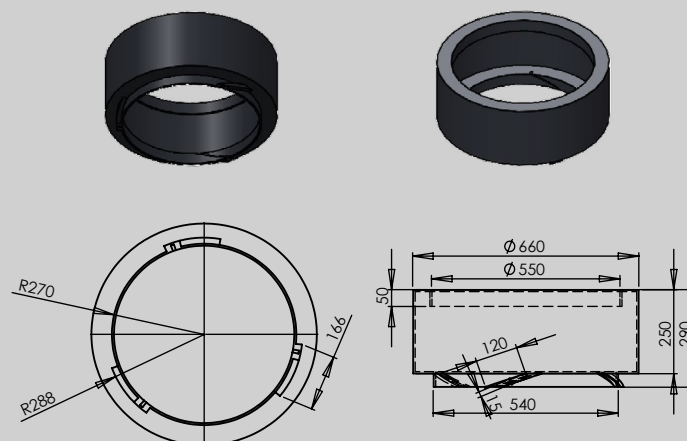
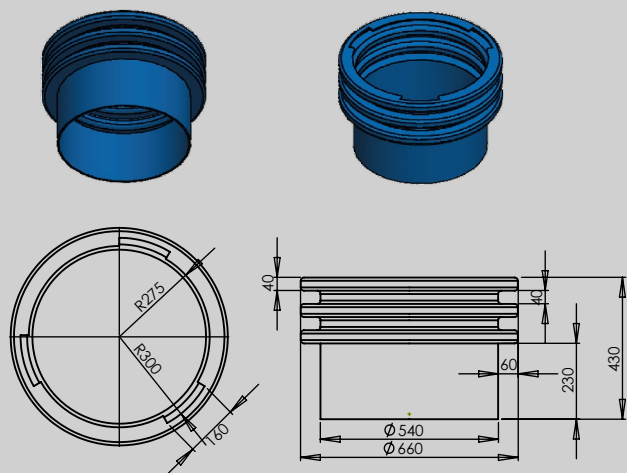
The fixed riser screws into the tank.

The adjustable riser slides vertically within the fixed riser, with a maximum adjustment of 200 mm.



Adjustable riser

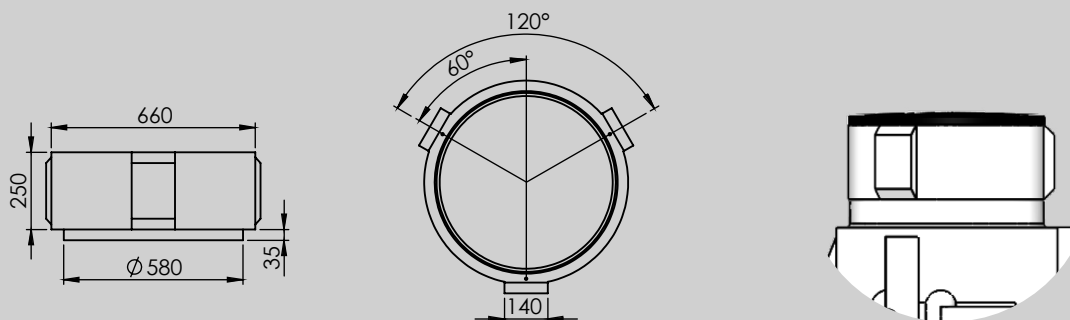
Fixed riser:



Extension riser system for 10,000 L tank

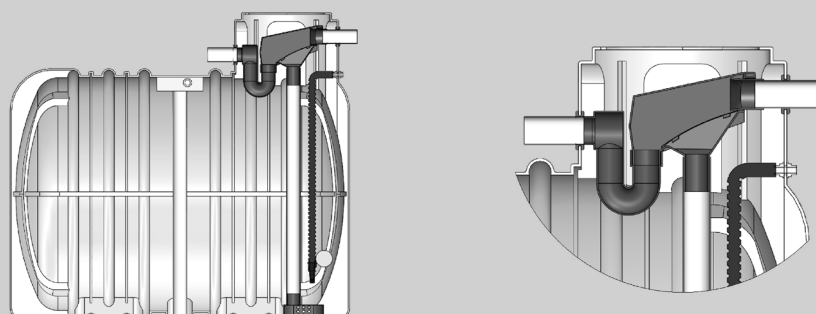
Ref. REHAUSSECIT002F

For this capacity, only a fixed riser is required.



This equipment includes:

- One filter basket with stainless steel mesh
- One siphon
- DN100 inlet/outlet connections
- One anti-turbulence inlet at the bottom



EQUIPMENT



5-year warranty against manufacturing defects



Dimensional and volumetric tolerances
The stated dimensions may vary by $\pm 4\%$.
Color variations may occur.
RAL references are provided for guidance only and are not contractual.

COLUMN ASHTRAY

Available in 2 versions:

A - Ref. CENDRIER008 - Black (TEIN 008)

B - Ref. CENDRIERMP00024 - Window Grey (TEIN 00024)

Elongated shape allowing cigarette butts to extinguish due to lack of oxygen.

Opening for inserting cigarette butts.

Stainless steel plate for extinguishing the stubs.

Internal steel bucket for collecting.

Supplied assembled. Opens easily to access the bucket.

Technical Information:

Overall dimensions (L x W x H): **1000 x 440 mm**

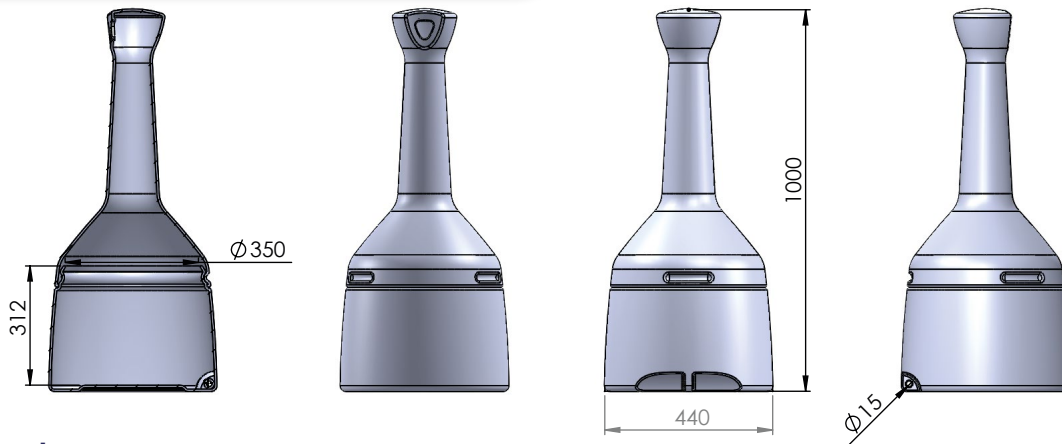
Finish: **Black ou Grey (Other colors available upon request)**

Capacity: **15 L - 6,500 cigarette butts**

Warranty: **5 years**

Materials: **HDPE 100 %**

Durability: **UV, weather, rust, and impact resistant**



Lane separator

Available in 2 versions:

A - Ref. SEPARATEURMP008 (White)

B - Ref. SEPARATEURMP014 (Red)

One-piece watertight lane separator.

Rotationally molded, made from 100% HDPE and fully recyclable.

Reflective strip on each side for improved visibility.

Interconnectable units, allowing a 45° angle configuration.

Can be filled with water or sand.

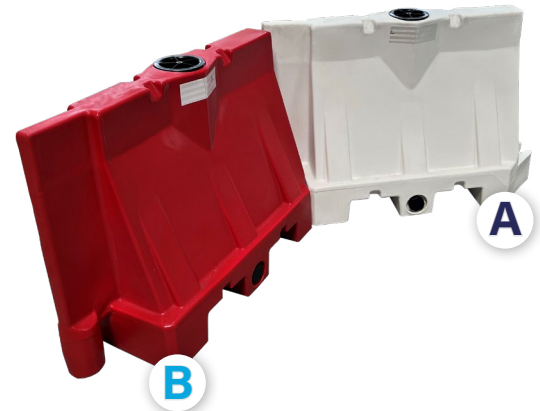
Top opening for filling and bottom opening for draining.

Forklift entry for handling and positioning.

Top slots for strapping during handling and storage.

Reinforced design for intensive use.

Anti-glare panel to reduce headlight dazzle when vehicles pass each other.

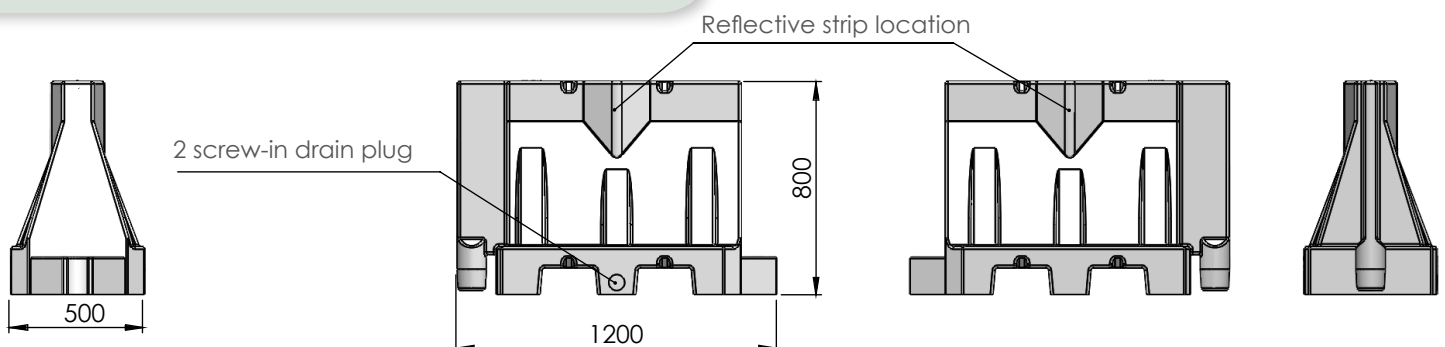


Technical Information:

Dimensions (L x W x H): **1200 x 500 x 800 mm**

Finish: **Red or White**

Packaging: **Pallet of 6 units (equivalent to a length of 6.6 m)**



Any order implies the customer's full and unconditional acceptance (hereinafter referred to as the "Buyer") of these General Terms and Conditions of Sale of EMP-ROTOMOULAGE (hereinafter referred to as the "Seller"). They shall prevail over any purchasing conditions, unless expressly agreed otherwise in writing between the Buyer and the Seller. Any specific terms agreed between the parties (Buyer and Seller) shall take precedence over these General Terms and Conditions, but only with regard to the elements expressly modified.

1. DATE AND PLACE OF DELIVERY

Our goods, even when delivered carriage paid, are always transported at the consignee's risk. Delivery is deemed to occur upon dispatch of the goods from our warehouses and their handover to the carrier, or directly to the customer in the case of collection. Delivery triggers invoicing of the goods. In the case of delivery to destination, any assistance provided by the customer or their staff in unloading the goods is carried out at their sole cost and risk, without any recourse against the Seller or the carrier. Goods received without reservation by the customer or any person acting on their behalf are deemed to conform to the order. Any reservation must be noted on the delivery note and confirmed to us by registered letter within 48 hours (postmark as proof), failing which the claim shall be inadmissible. If the customer has granted the Seller or the carrier access to an unattended site with instructions to unload goods in their absence, the goods shall be deemed accepted without reservation once delivered on site.

2. DELIVERY TIMES

Delivery times are provided for information only by the Seller. The Seller is bound only by a best-efforts obligation to meet the indicated delivery time. Force majeure events or circumstances beyond the Seller's control causing serious disruption to the production chain—such as fire, sudden unavailability of essential labor, machine breakdown, strike, transport blockage, etc., whether occurring at EMP-ROTOMOULAGE or its suppliers—shall release EMP-ROTOMOULAGE from any liability for failure to meet the agreed delivery time. The Buyer may cancel the order if the delay exceeds 3 months, without entitlement to compensation, after formal notice by registered letter and failure to dispatch the goods within 15 working days following receipt of such notice.

3. PRICES - QUOTATIONS - SALE PRICE

Prices from the Seller's price lists and catalogs are indicative only. Unless otherwise stated, quotations are valid for 2 months from issuance. The agreed sale price is in all cases the one indicated to and accepted by the Buyer at the time of order. Any visuals (3D) and technical drawings (2D) accompanying the quotation are non-contractual. Commitments made by the Seller's representatives are only valid after order confirmation by EMP-ROTOMOULAGE. Price proposals are valid only insofar as the regulatory conditions relating to materials, taxes, etc., remain unchanged. For tooling (molds) supplied by the Buyer, part prices will be finalized only after validation of the sample part.

4. ACCESSORIES

Where accessories required for manufacturing are supplied by the Seller, the latter undertakes to deliver them free of charge within the required timeframes and quantities, including sufficient surplus to cover manufacturing losses. They must strictly comply with the dimensions and tolerances specified by EMP-ROTOMOULAGE and be delivered in a condition suitable for integration into rotomolding. Any defect attributable to unsuitable, non-compliant, or defective accessories shall be borne by the Buyer, who may not cancel the order, refuse the goods, reduce the agreed price, or claim compensation.

5. INVOICING - PAYMENT TERMS

Each delivery is invoiced, including principal, costs, and taxes, payable within the time stated on the invoice, not exceeding 45 days end of month or 60 days from invoice date. In the absence of a specific agreement, payment is due within 30 days. Tooling costs are payable 50% upon order and the balance upon completion. If delivery is postponed by the Buyer after production, the Seller shall invoice accordingly, and payment remains due on the agreed date. No discount is granted for early payment unless otherwise stated. Late payments incur penalties calculated daily at ten times the legal interest rate on the outstanding amount (including VAT). A fixed recovery fee of €40 applies in case of late payment. In case of instalments, failure to pay a single instalment results in immediate payment of all outstanding sums. Legal action entitles the Seller to an additional penalty of 15% of the amount due (minimum €500), plus recovery costs.

6. RETENTION OF TITLE

Until full payment is made, goods remain the Seller's property. However, from delivery, the Buyer bears all risks of loss, theft, or damage. In case of non-payment exceeding half of the price, the Seller may terminate the sale and reclaim the goods, with return costs borne by the Buyer. Payments made remain acquired by the Seller as compensation.

7. LIABILITY AND WARRANTY

The Buyer must inform the Seller of specific requirements in writing. The Seller shall not be liable for damages resulting from unspecified requirements or from use in unforeseen environments. Goods are warranted as being of merchantable quality. The Buyer must verify conformity upon delivery; no claims are accepted after 8 days. The Seller's warranty is limited to replacement of defective parts, excluding any consequential damages. For food-contact applications (subject to prior agreement), materials comply with applicable regulations.

8. TERMINATION

The Seller may terminate the contract in case of Buyer default or doubts regarding solvency. Deliveries may be suspended until payment and guarantees are provided. In case of cancellation attributable to the Buyer, deposits are retained as damages, and incurred costs are invoiced.

9. TRADEMARKS

All trademarks remain the Seller's property.

10. STORAGE CONDITIONS

Goods must be stored under normal conditions upon receipt. Improper storage invalidates any claim. Payment remains due in full.

11. TOOLING SERVICES

Tooling includes design and manufacturing costs. Tools remain the Seller's property unless fully paid. Specific conditions apply for retrieval or continued use. Tools are designed for production of 8,000 to 10,000 parts. Maintenance is ensured by the Seller; replacement due to wear is at the Buyer's expense. Tools are stored free of charge for 2 years; beyond that, they may be destroyed without notice.

12. ROTOMOLDING SPECIFICATIONS

Rotomolded polyethylene parts have a slightly matte, microporous finish. Large flat surfaces may show slight waviness due to material shrinkage (~4%). The material is scratch-sensitive and operates between -30°C and +60°C. Dimensional tolerance may vary between 1% and 2%. Chemical resistance is excellent, but the Buyer must consult the Seller before use in chemical environments.

13. INSTALLATION SERVICES

Installation may be provided by EMP-ROTOMOULAGE or by an independent partner. In the latter case, the Seller is not liable for installation work. The Buyer agrees to pay all amounts, including installation, as invoiced by the Seller.

14. SET-OFF

Under Article 1348-2 of the Civil Code, all mutual obligations may be offset.

15. JURISDICTION

Any dispute shall fall under the jurisdiction of the Commercial Court of Saint-Malo.

GLOBAL LOGISTICS SOLUTIONS



In a continuous effort to improve its products, EMP reserves the right to modify technical specifications without prior notice. Photos, weights, dimensions, and volumes are non-binding. Ed. 2026-03

EMP also offers:



EQUESTRIAN RANGE



ENVIRONMENTAL RANGE



LIVESTOCK RANGE



DESIGN RANGE



CUSTOM-MADE RANGE