

OVER PACK 250

Ref. RF220012F

Product information:

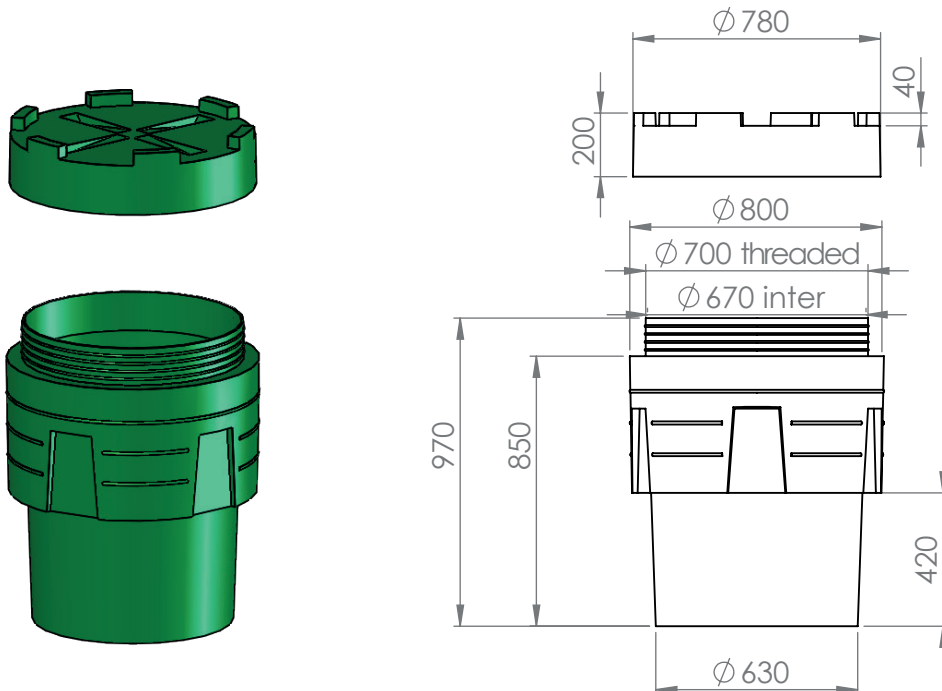
Allows to completely encapsulate the drum
Screwing cover

Technical information:

Sump capacity: 250 L
Dimensions: Ø inside: 650 mm - Ø bottom: 630 mm -
Ø top: 780 mm
Height: 1010 mm
Finish: Green (TEIN012 - RAL 6029)



DRAWINGS



Possible variations in the indicated sizes and volumes +/- 4%. The RAL hues shown are the closest matches to the real colours.