



FUNNEL WITH LID FOR 220 L DRUM

Ref. ENTCOUV40006F

Product information:

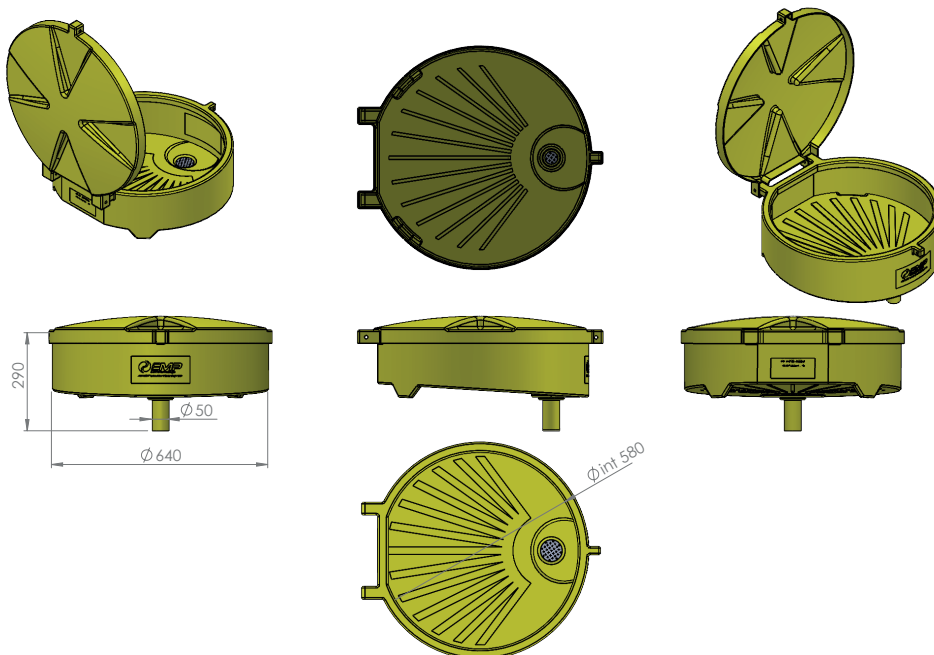
- To be placed on a 220 L drum.
- Total drum coverage.
- Integral and lockable lid.
- Full lid opening for better access.
- Raised edge to prevent splash.
- Sloping bottom for better liquid flow.
- Equipped with a grid to collect the biggest waste.

Technical information:

- Dimensions (ø x h): 640 x 190 mm
- Internal dim. (ø): 580 mm
- Outlet dim. (ø x w): 50 x 100 mm
- Capacity: 40 L
- Finish: Yellow (TEIN006 - RAL 1028)



DRAWINGS



Possible variations in the indicated sizes and volumes +/-4%. The RAL hues shown are the closest matches to the real colours.