



## 2 DRUM SPILL PALLET - 270 L

Ref. **BRLG270006F**

### Product information:

100% HDPE with removable grate in galvanised steel.  
Two-way forklift entry system.

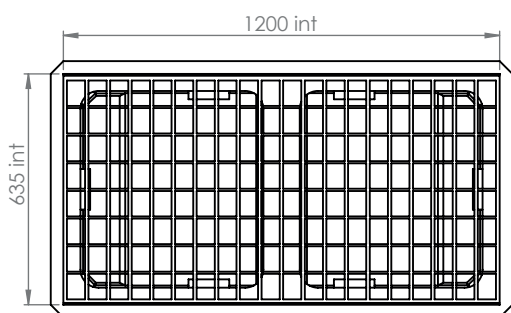
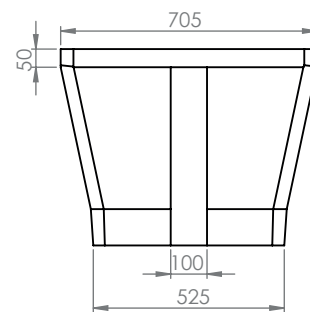
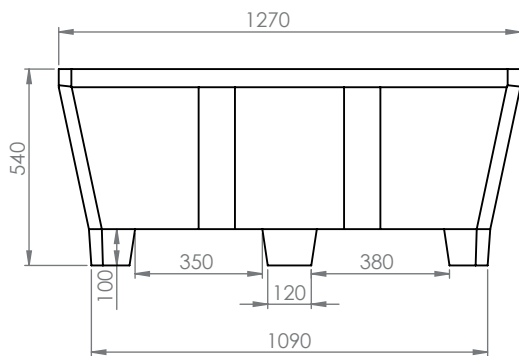
### Technical information:

Sump capacity: 270 L  
Load capacity: 750 kg  
Dimensions (L x w x h): 1270 x 705 x 540 mm  
Grate dim. (L x w): 1200 x 625 mm  
Finish: Yellow (TEIN006 - RAL 1028)



Possible variations in the indicated sizes and volumes +/- 4%. The RAL hues shown are the closest matches to the real colours.

## DRAWINGS



Galvanised steel grate  
1200x625

